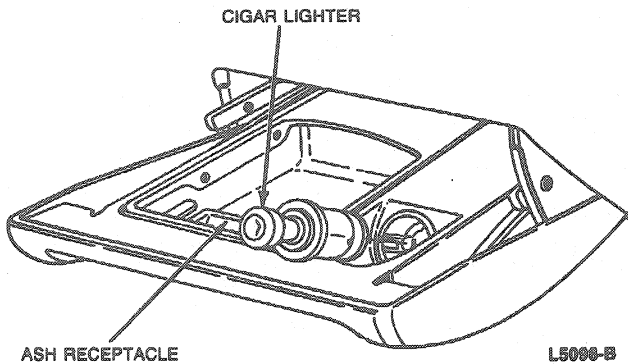
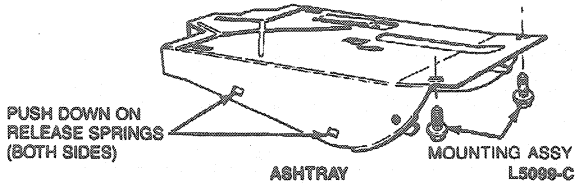


REMOVAL AND INSTALLATION (Continued)

4. Disconnect wiring harness.
5. To install, reverse Removal procedure.

**Rear Seat****Removal and Installation**

1. Remove ash receptacle by depressing spring stop and pulling receptacle up and out.

2. To remove ash receptacle retainer, remove ash receptacle, and four screws retaining receptacle retainer to trim panel and remove retainer. Remove wiring harness.
3. To install, reverse Removal procedure.

Cigar Lighter**Instrument Panel****Removal**

1. Disconnect battery ground cable.
2. Remove cigar lighter knob and element assembly.
3. Remove cigar lighter lead wire. Remove ash receptacle, if necessary, and ground wire, if so equipped.
4. Remove cigar lighter socket retainer and remove socket.

Installation

1. Install cigar lighter socket retainer and tighten.
2. Install cigar lighter lead and ground wire, if so equipped.
3. Install ash receptacle, if removed.
4. Install cigar lighter knob and element assembly.
5. Connect battery ground cable and test cigar lighter for proper operation.

DISCOVER THE INDEX

Index/
Important
Information

WE WANT TO HEAR
FROM YOU