

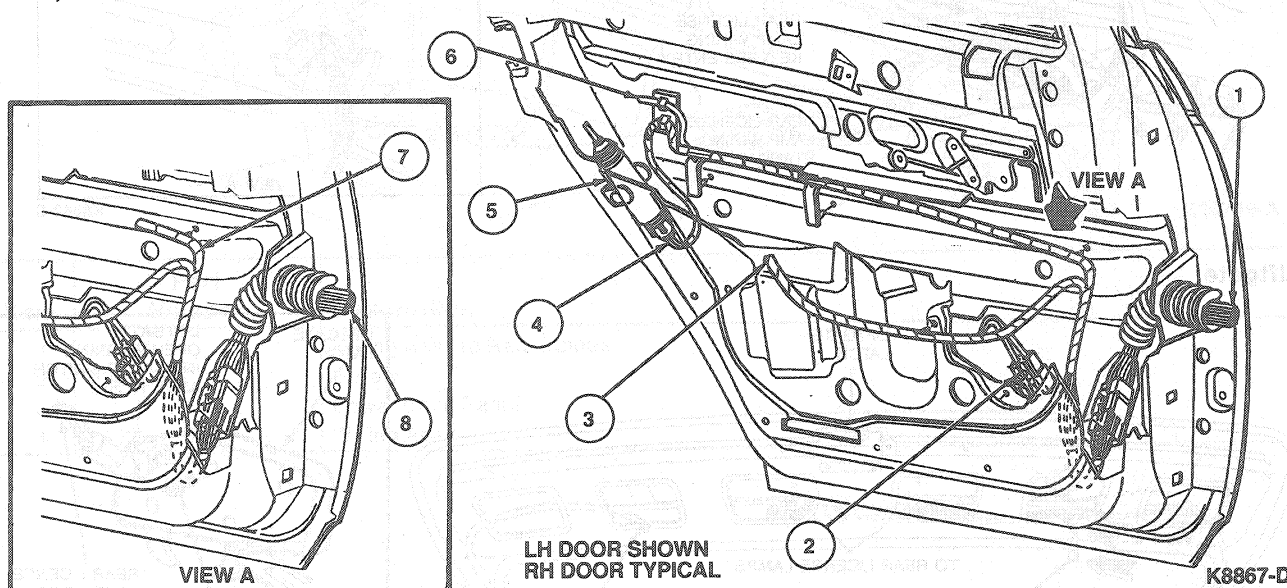
REMOVAL AND INSTALLATION (Continued)

Item	Part Number	Description
1	—	To Illuminated Entry and Door Ajar Switch
2	—	To Lock Cylinder
3	—	To Power Mirror
4	14630 11463	Wiring Assy
5	—	Power Door Lock Actuator Motor
6	14A626	Keyless Entry Keypad
7	14631	Wiring Assy
8	—	To Door Lock Actuator Motor
9	14631	Wiring Assy to Courtesy Lamp
10	14630 14631	Wiring Assy Standard/Optional

Item	Part Number	Description
11	14630 11463	Wiring Assy to Door Speaker
12	14630	Wiring Assy to Power Window Regulator Motor
13	—	To Keyless Entry Keypad
14	—	To Power Mirror Switch Assy
15A	—	Screw
16	14A666	Cap
17	14631	Wiring Assy Connector
18	801164-S43	Screw (2 Req'd)
19	14A488	Wiring Assy to Floorpan Wiring
20	14A667	Retainer Clip
A		Tighten to 4.1-5.4 N·m (37-47 Lb·In)

(Continued)

Door, Rear



Item	Part Number	Description
1	14A488	Wiring Assy To LH Floorpan
2	14632 14633	Wiring Assy To Power Window Regulator Motor
3	14632 14633	Wiring Assy To Power Window Switch Assy
4	14026	Wiring Assy

Item	Part Number	Description
5	14A626	Lock Actuator
6	—	To Door Ajar Switch
7	14632	Wiring Assy with Power Windows-With and W/Out Locks and Door Ajar
8	14A488	Wiring Assy Window Regulator Jumper

(Continued)