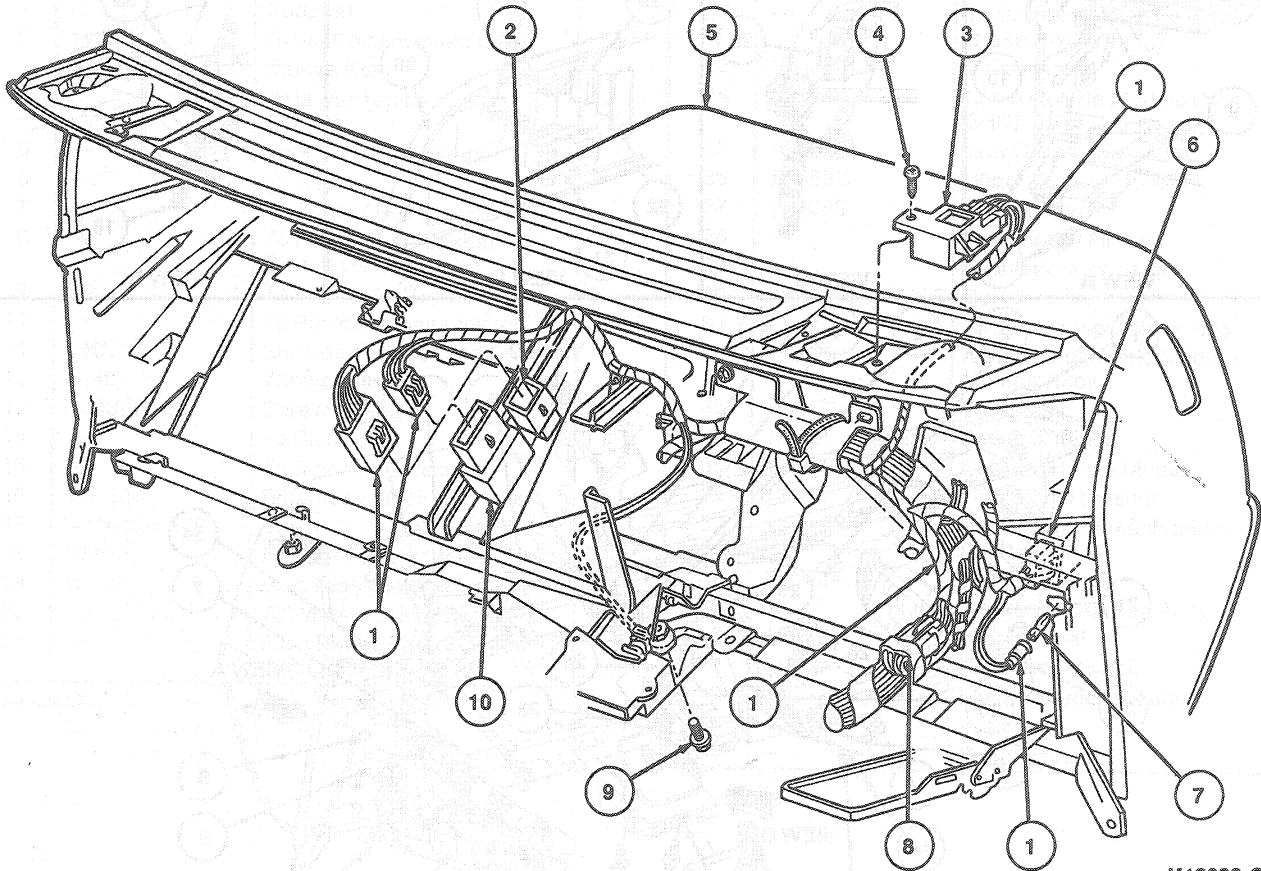


REMOVAL AND INSTALLATION (Continued)

Auto Lamp / Auto Dimmer



K13993-C

Item	Part Number	Description
1	13A090	Wiring Assy
2	14B193	Headlamp Dimmer Relay
3	14A597	Light Sensor Amplifier
4	N803876	Screw

Item	Part Number	Description
5	45A98	Instrument Panel
6	13736	Autolamp Switch
7	13465	Bulb Assy
8	14401	Wiring Assy
9	N801846-S36MG	Screw
10	14A672	Autolamp Relay

(Continued)