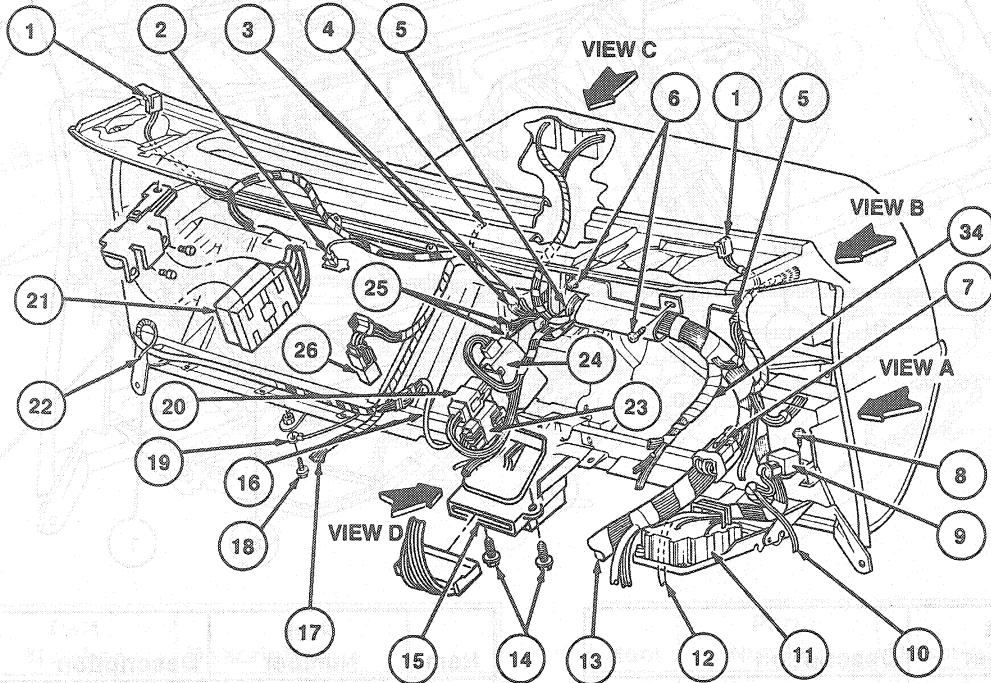
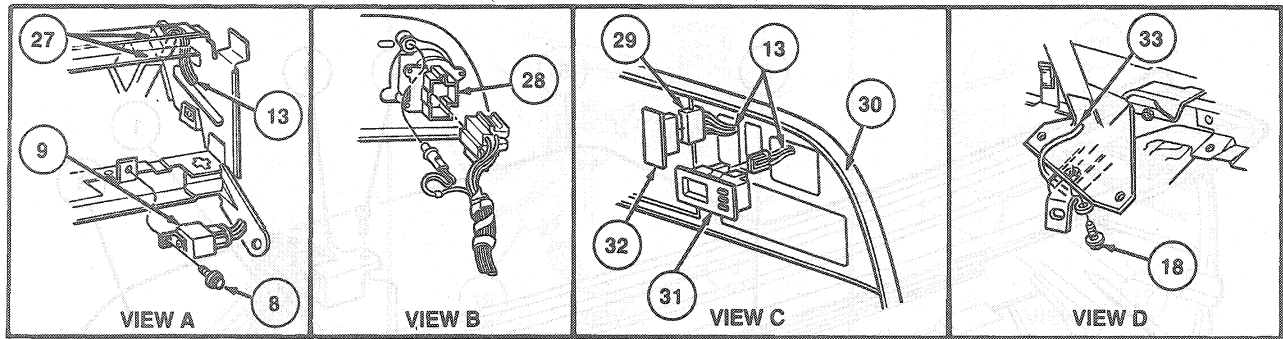


REMOVAL AND INSTALLATION (Continued)

Police



K13995-B

Item	Part Number	Description
1	—	To Speaker
2	—	Glove Compartment Lamp
3	—	To A/C Control Head
4	—	To A/C Heater Switch
5	—	To Cluster
6	N803875-S2	Screw (2 Req'd)
7	—	To Steering Column
8	14A320	Wiring Assy
9	N804234-S2	Screw
10	13350	Flasher Assy
11	—	To Parking Brake Switch
12	—	Fuse Panel Part of 14401 Wiring Harness Assy
13	—	To Stoplamp and Anti-Lock Brake Switch
14	14401	Wiring Assy
15	N803876-S2	Screw (2 Req'd)
16	10D840	Chime Assy

Item	Part Number	Description
17	—	To Ash Receptacle Wiring
18	—	To Evaporator Assy
19	N803875-S36MG	Screw
20	—	A/C Heater Ground
21	13A025	Horn Relay
22	14B056	Air Bag Diagnostic Module Monitor Assy
23	19A170	Wiring Assy
24	—	To Low Oil Indicator Assy
25	—	To Wiper Control Module
26	—	To Radio
27	13A025	Horn Relay Assy
28	13A024	Dimmer Switch
29	11654	Headlamp Switch
30	—	To Rear Window Defroster
31	45A98	Finish Panel
32	15000	Clock
33	—	Cover (Standard Production)
34	—	Radio Ground

(Continued)