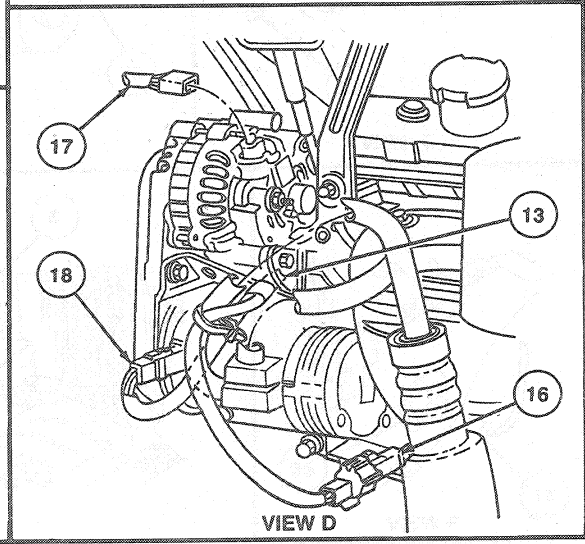
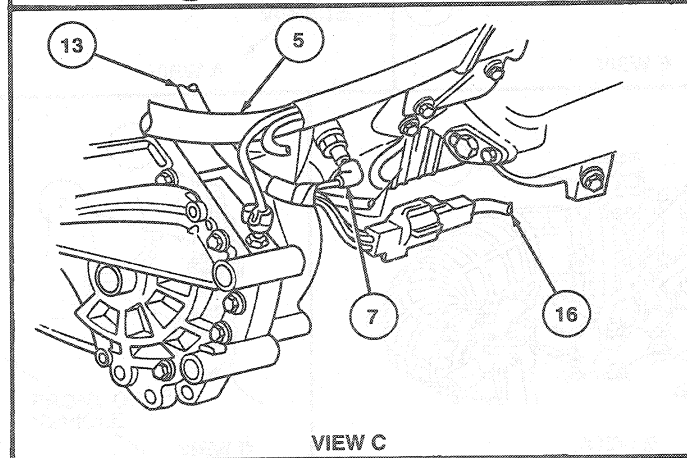
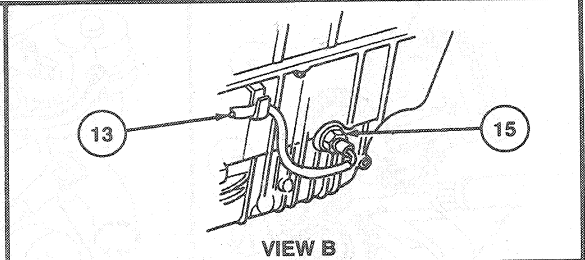
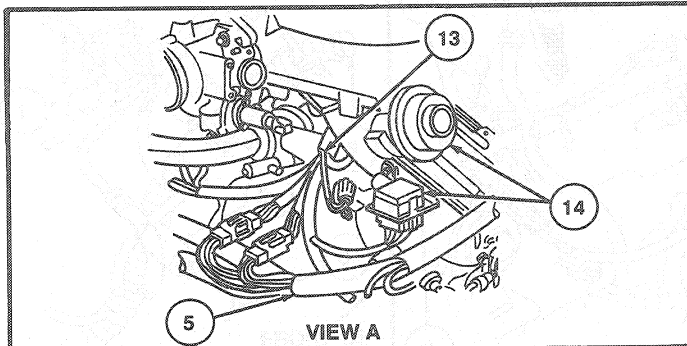
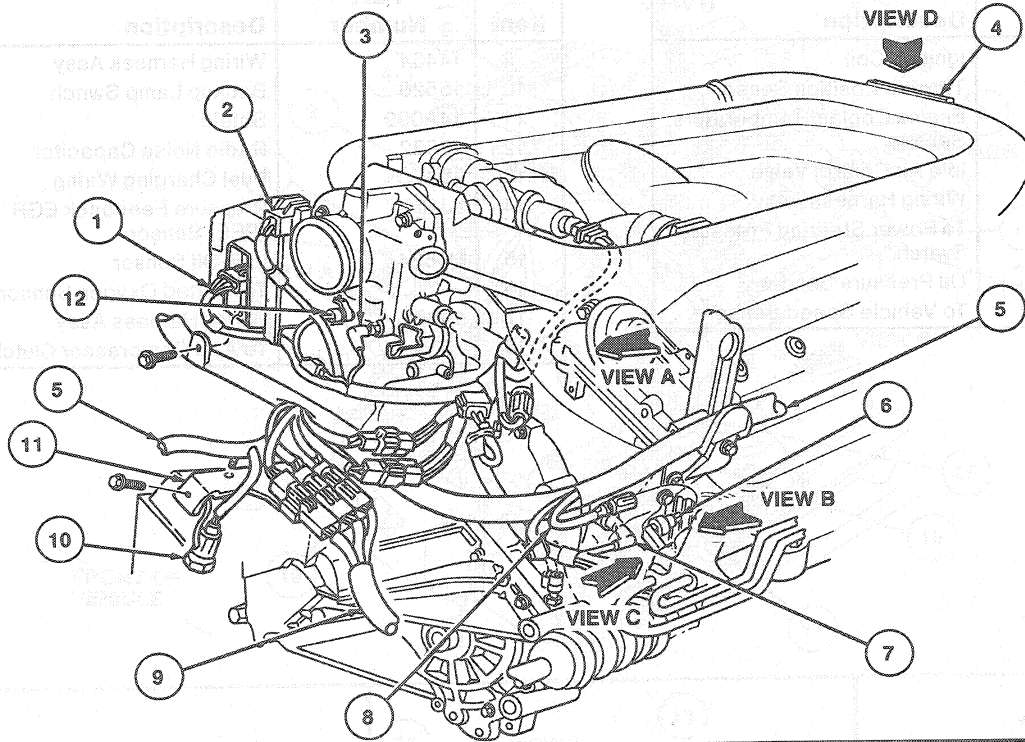


REMOVAL AND INSTALLATION (Continued)

3.0L SHO



K14142-D