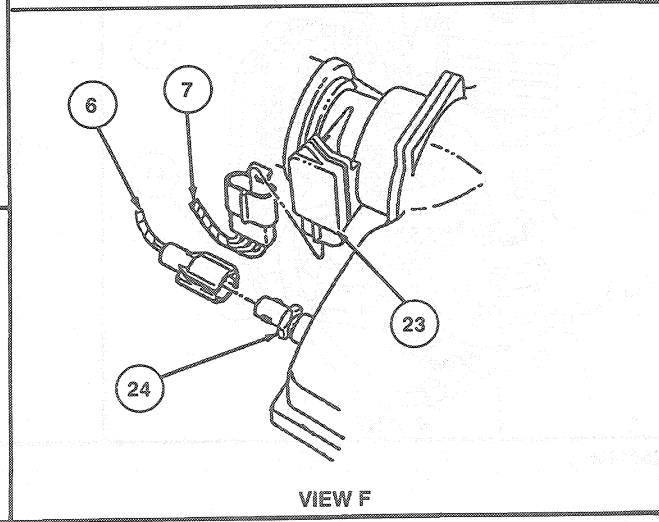
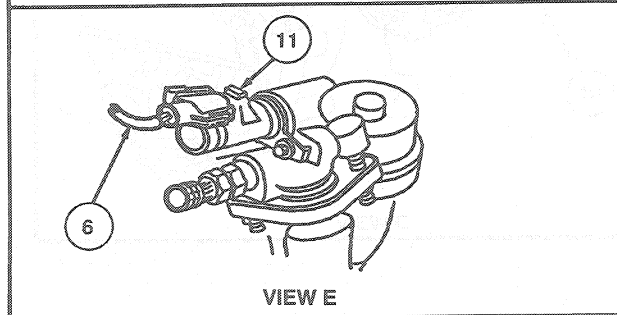
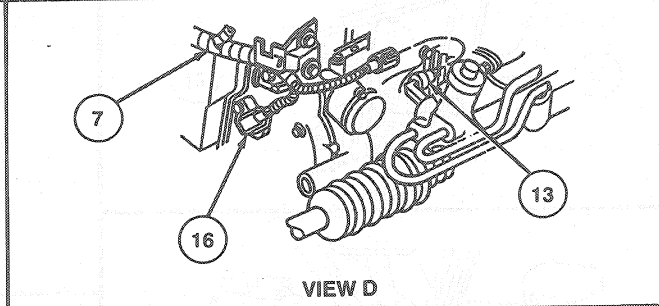
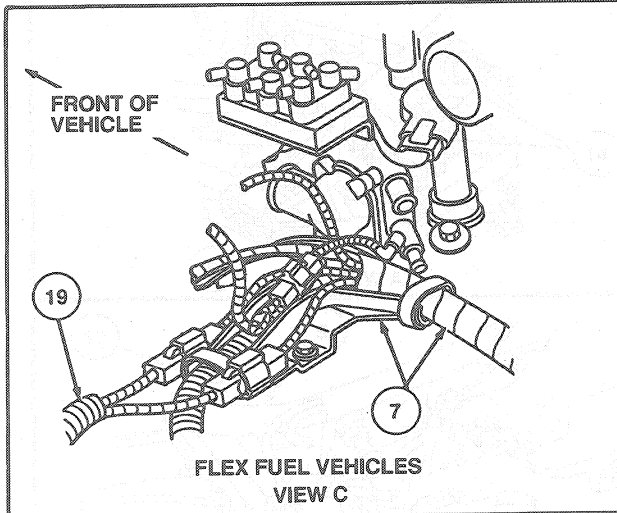
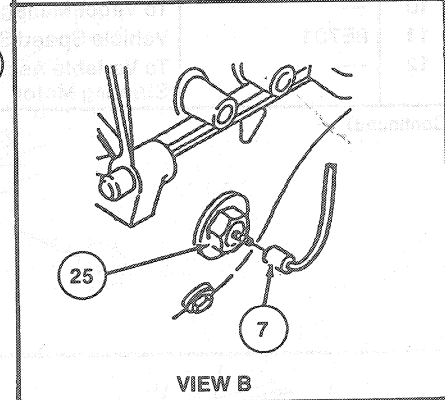
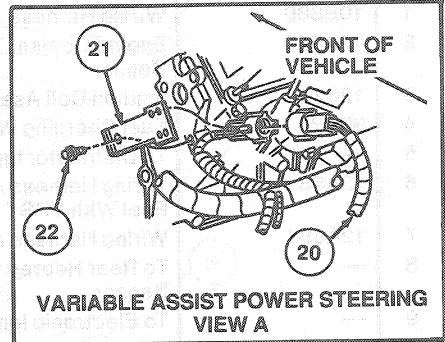
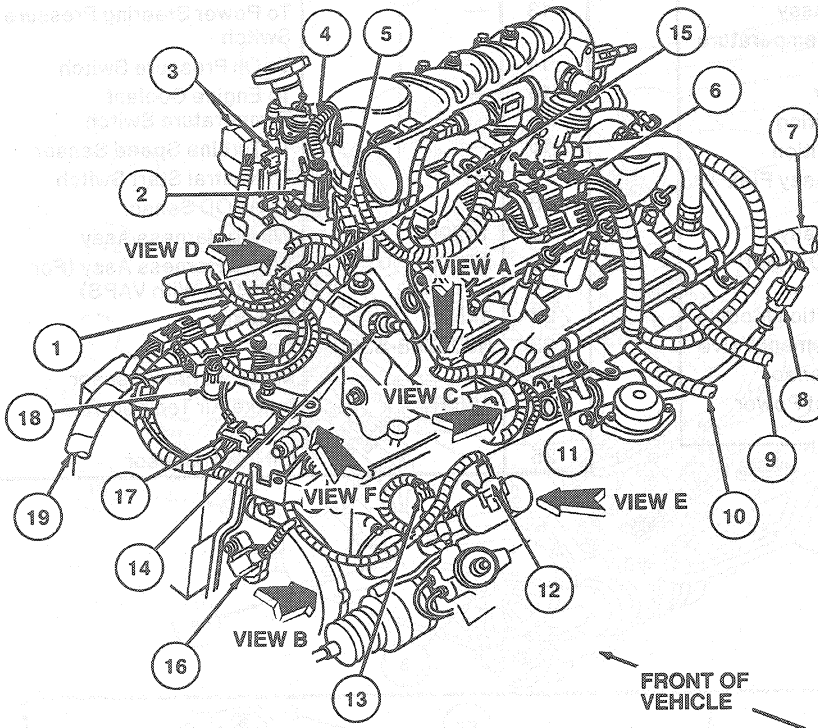


REMOVAL AND INSTALLATION (Continued)

Engine Wiring

3.0L Engine



K17202-A