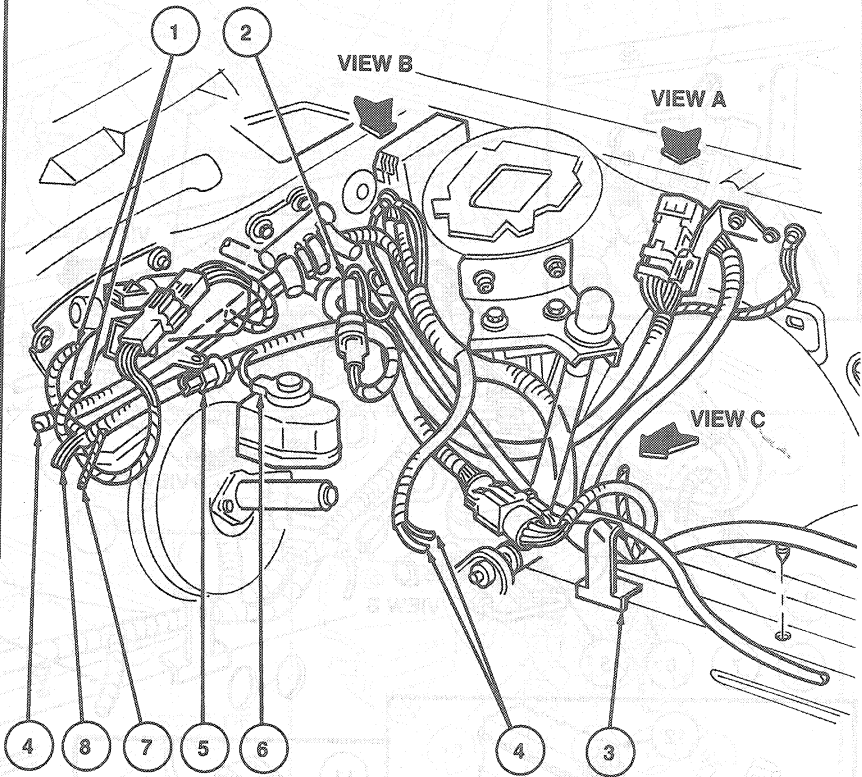
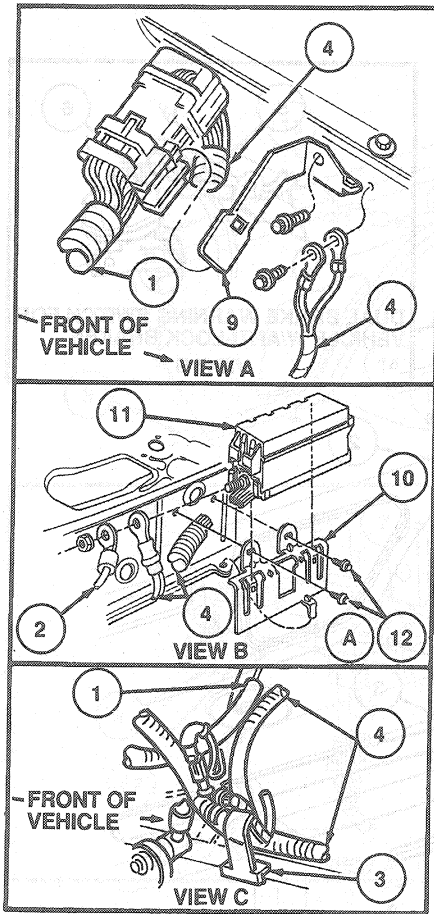


REMOVAL AND INSTALLATION (Continued)

3.0L SHO



K16710-A

Item	Part Number	Description
1	14401	Wiring Assy
2	14431	Wiring Assy
3	—	Existing Clip for Brake Lines
4	14290	Wiring Assy
5	—	To Engine Compartment Lamp
6	2B264	Brake Fluid Level Switch
7	—	To Cold Lock Out for Vehicles with (EATC)

Item	Part Number	Description
8	—	To Rear Air Bag Sensor
9	14A206	Bracket
10	14A254	Bracket Fuse Panel
11	—	Power Distribution Box — Part of 14290 Wiring Harness Assy
12A	N610957	Screw (2 Req'd)
A		Tighten to 3.6-4.1 N-m (32-36 Lb-In)

(Continued)

(Continued)