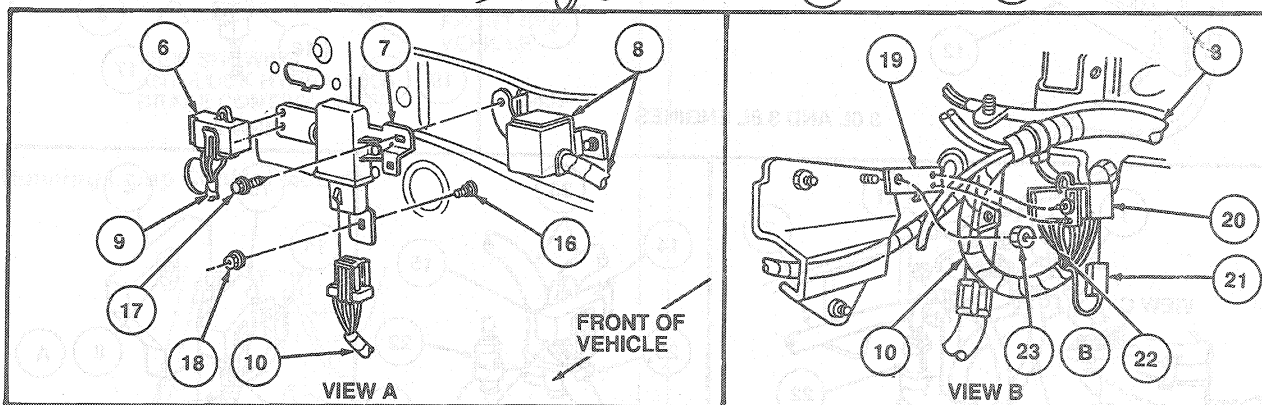
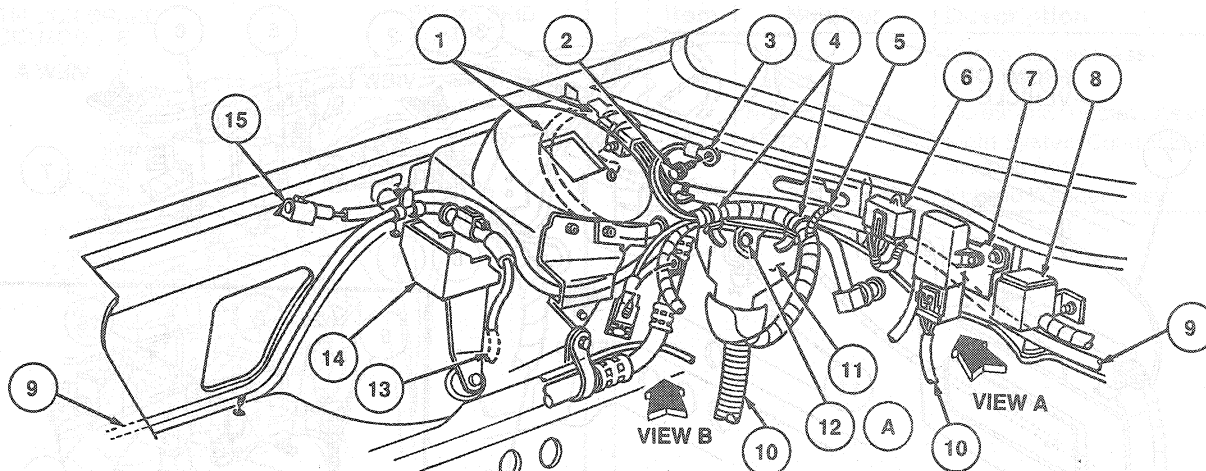


REMOVAL AND INSTALLATION (Continued)

Fender Apron, RH 3.0L SHO



K17201-A

Item	Part Number	Description
1	2C055	Wiring Harness Assy to Rear Anti-Lock Brake Sensors
2	N801846-S36MG	Ground Screw
3	12A581	Wiring Harness Ground Strap (2 Req'd)
4	95873-S	To A/C Pressure Switch
5	—	To Anti-Lock Brake Tester
6	—	Bracket and BAP Sensor
7	12B583	Air Bag Sensor
8	—	Wiring Harness Assy
9	14290	Wiring Harness Assy
10	12A581	Wiring Harness Assy
11	—	Connector to Powertrain Control Module
12A	12A581	Connector Retaining Bolt

(Continued)

Item	Part Number	Description
13	—	To RH Anti-Lock Brake Sensor
14	—	Power Steering Pump Reservoir
15	14B060	To Starter Cable Assy
16	—	Existing Stud
17	N806941-S36MG	Screw
18	N621905-S56B	Nut
19	14A163	Retainer
20	14A593	Cover Assy
21	—	STI Test Connector
22	14489	Data Link Connector
23B	—	Existing Nut
A	—	Tighten to 5.2-7.2 N-m (46-64 Lb-In)
B	—	Tighten to 29.7-40.3 N-m (22-30 Lb-Ft)