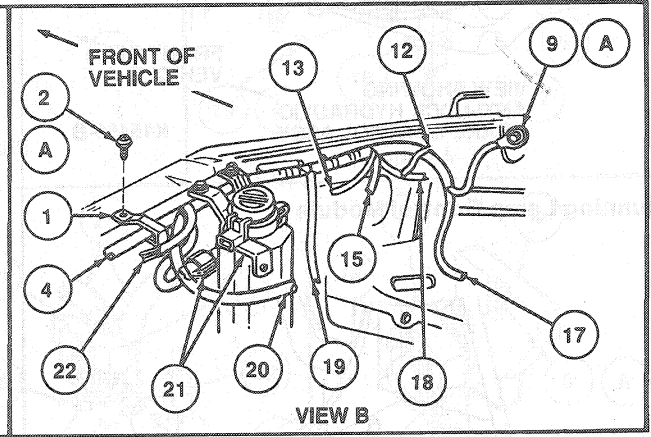
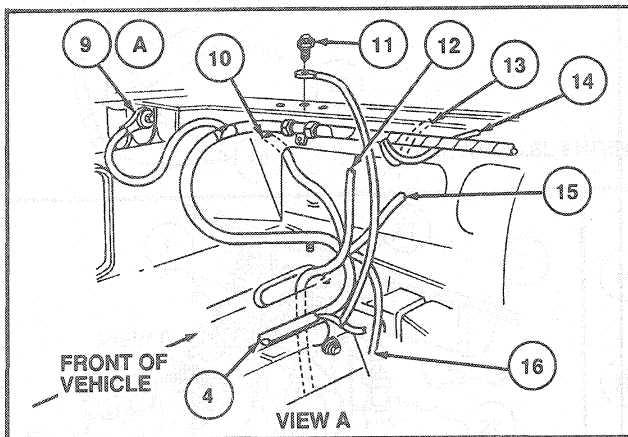
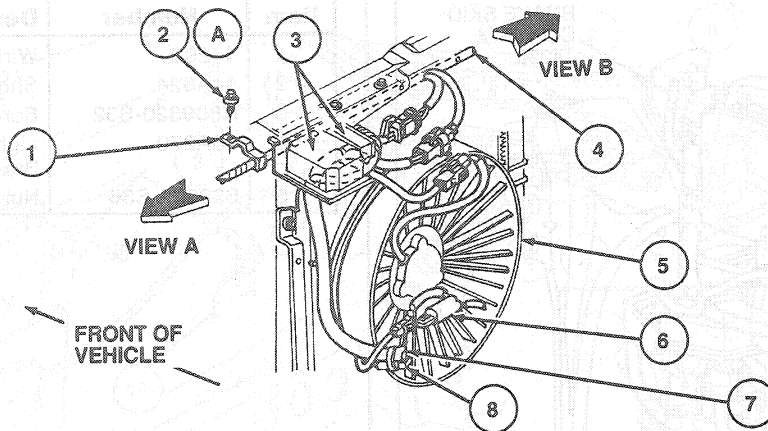


REMOVAL AND INSTALLATION (Continued)

Radiator Support Wiring, 3.0L SHO



K13987-B

Item	Part Number	Description
1	14536	Bracket
2A	56910-S2	Screw (2 Req'd)
3	12B581	Integrated Relay Controller Assy
4	14290	Wiring Harness Assy
5	—	Cooling Fan and Shroud Assy
6	—	Canister Purge Solenoid
7	12A581	Wiring Harness Assy
8	—	To Shorting Plug
9A	N801846-S36MG	Ground Screw
10	—	To LH Side Marker and Cornering Lamps
11	N803991-S36	Screw
12	—	To Park and Turn Signal Lamp

Item	Part Number	Description
13	—	To Fog Lamp
14	—	To Ambient Temperature Sensor
15	—	To AERO Headlamp
16	—	To Horns
17	—	To RH Brake Sensor Assy
18	—	To Windshield Washer Pump Reservoir Fluid Level Sensor, RH Side Marker and Cornering Lamps
19	—	To A/C Pressure Switch
20	—	To Alternator
21	—	Low Coolant Level Sensor
22	—	To Central Air Bag Sensor Assy
A	—	Tighten to 3.4-4.8 N·m (30-42 Lb·In)

(Continued)