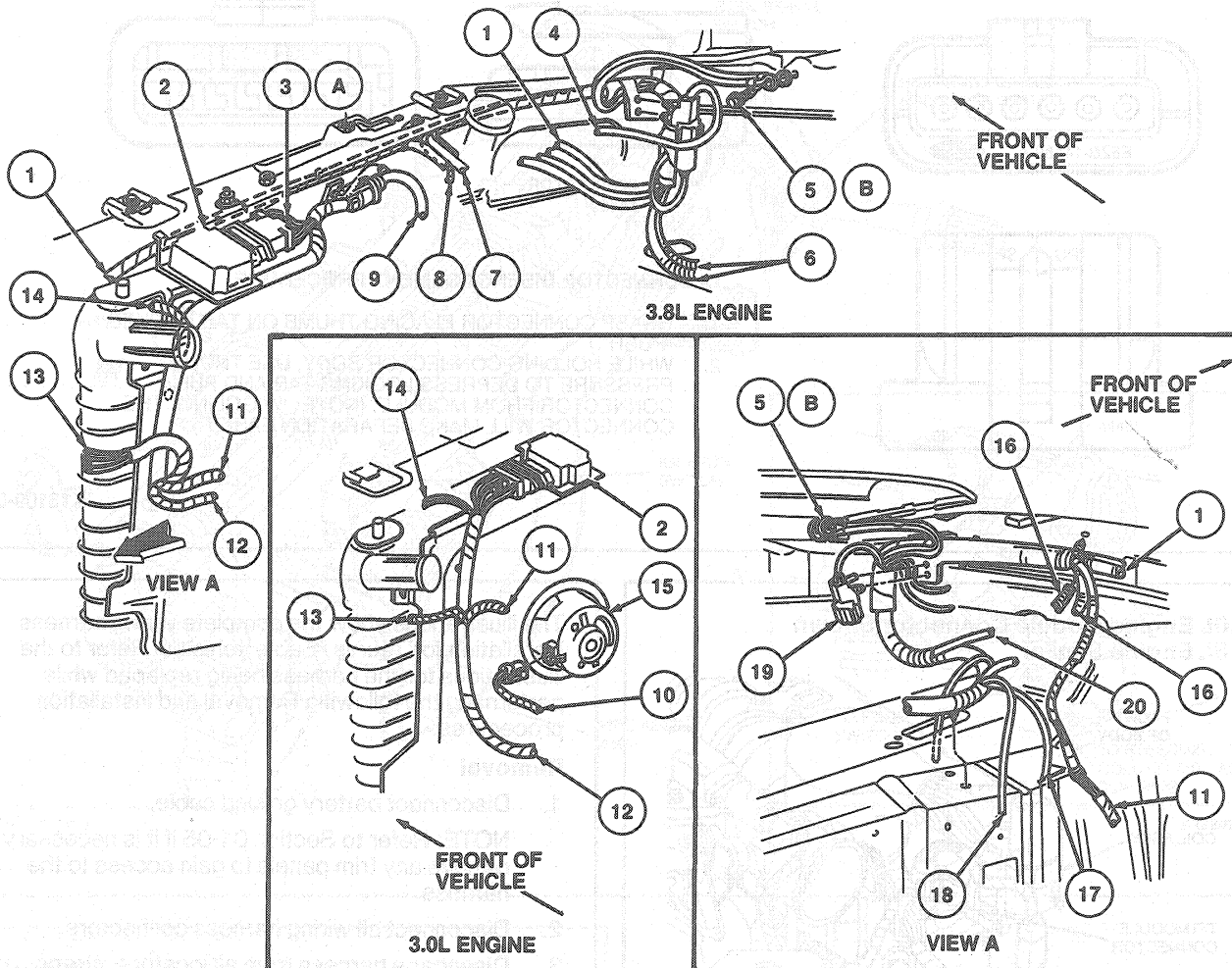


REMOVAL AND INSTALLATION (Continued)

Radiator Support Wiring

Taurus / Sable (Except SHO)



K17198-A

Item	Part Number	Description
1	14290	Wiring Harness Assy
2	12B581	Integrated Relay Controller Assy
3A	12B581	Connector Retaining Bolt
4	15A434	Cornering Lamp Wiring Harness Assy
5B	N801846-S36MG	Ground Screw
6	—	To Windshield Washer Reservoir
7	—	Fluid Sensor and Pump
8	—	To Alternator Wiring Assy
9	—	To Front Center Air Bag Sensor Assy
10	—	To Engine Cooling Fan
11	—	To Canister Purge Solenoid

(Continued)

Item	Part Number	Description
12	—	To 12A581 Wiring Harness Assy
13	—	To 14290 Wiring Harness Assy
14	—	To 14B060 Wiring Harness Assy
15	—	Engine Cooling Fan
16	—	To Laser Lamp (Sable)
17	—	To Ambient Temperature Sensor
18	—	To Horns
19	—	To 15A434 Wiring Harness Assy
20	—	To Anti-Lock Brake Pump
A	—	Tighten to 1.4-2 N·m (12-18 Lb·In)
B	—	Tighten to 3.4-4.8 N·m (30-42 Lb·In)