

DESCRIPTION AND OPERATION

Fuses and Circuit Breakers

Flasher Location

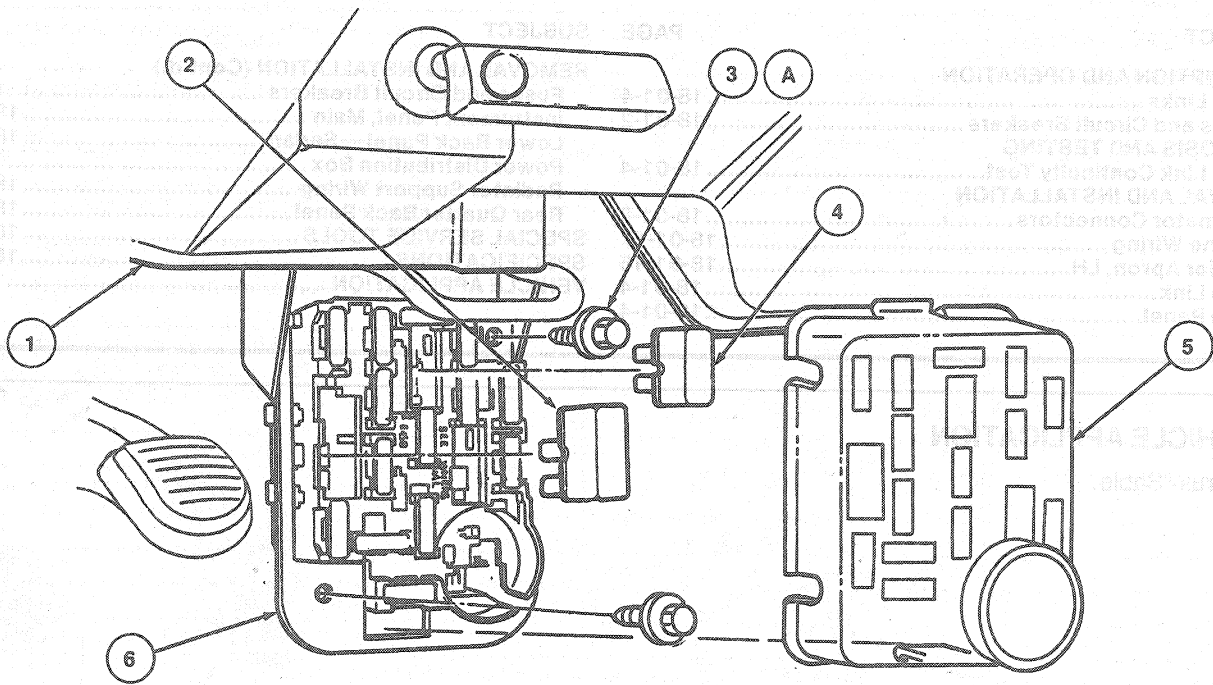
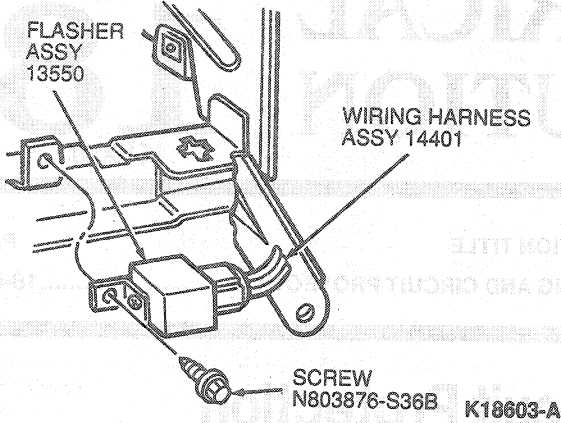
An electronic combination turn signal and emergency warning flasher is secured to the lower LH instrument panel reinforcement by one screw (above fuse panel).

Location and Values

A combination fuse and circuit breaker panel contains most of the fuses and circuit breakers used in the system. Refer to the panel illustration shown under Fuse Panel Location.

Fuse Panel Location

The fuse panel is located to the left of the steering column, and is hung from the instrument panel. To expose the fuse panel, pull the release bar up with right hand and pull panel down with left hand and remove cover.



K8696-E

Item	Part Number	Description
1	4320	Instrument Panel
2	14526C	Windshield Wiper Circuit Breaker
3A	N803875-S2	Screw (2 Req'd)

(Continued)

Item	Part Number	Description
4	14526B	Horn / Cigar Lighter Circuit Breaker
5	14A075	Cover Panel
6	—	Fuse Panel, Part of 14401 Wiring Harness Assy
A		Tighten to 2.1-2.9 N·m (19-26 Lb·In)