

ELECTRICAL DISTRIBUTION

GROUP
18
(1000)

| SECTION TITLE | PAGE | SECTION TITLE | PAGE |
|---------------------------------------|---------|-------------------------------------|---------|
| ELECTRICAL DEVICES—MISCELLANEOUS..... | 18-04-1 | WIRING AND CIRCUIT PROTECTION | 18-01-1 |

SECTION 18-01 Wiring and Circuit Protection

| SUBJECT | PAGE | SUBJECT | PAGE |
|----------------------------------|----------|---|----------|
| DESCRIPTION AND OPERATION | | REMOVAL AND INSTALLATION (Cont'd.) | |
| Fuse Links | 18-01-4 | Fuses and Circuit Breakers | 18-01-4 |
| Fuses and Circuit Breakers | 18-01-2 | Instrument Panel, Main | 18-01-23 |
| DIAGNOSIS AND TESTING | | Lower Back Panel—Sedan | 18-01-35 |
| Fuse Link Continuity Test..... | 18-01-4 | Power Distribution Box | 18-01-6 |
| REMOVAL AND INSTALLATION | | Radiator Support Wiring..... | 18-01-10 |
| Alternator Connectors | 18-01-8 | Rear Quarter Back Panel..... | 18-01-37 |
| Engine Wiring | 18-01-17 | SPECIAL SERVICE TOOLS | 18-01-37 |
| Fender Apron, LH..... | 18-01-15 | SPECIFICATIONS | 18-01-37 |
| Fuse Link..... | 18-01-4 | VEHICLE APPLICATION | 18-01-1 |
| Fuse Panel..... | 18-01-4 | | |

VEHICLE APPLICATION

Taurus/Sable.

DESCRIPTION AND OPERATION

Fuses and Circuit Breakers

Flasher Location

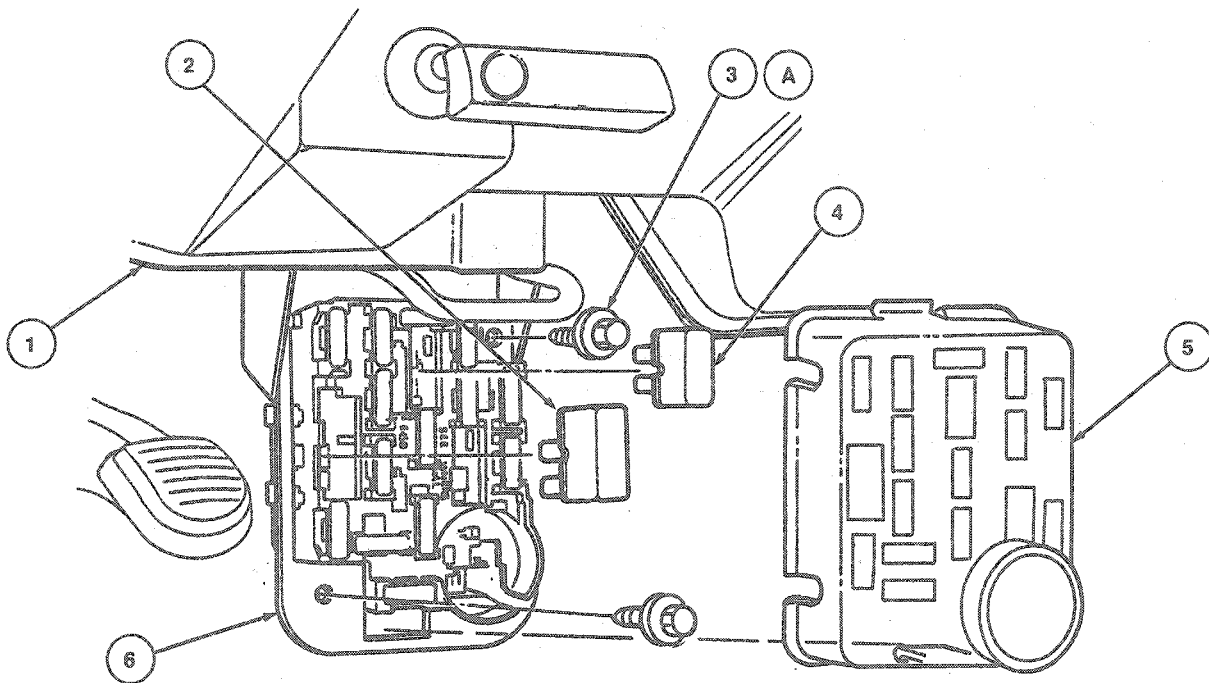
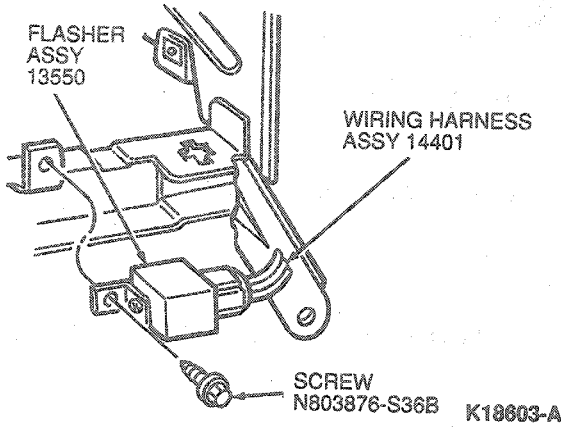
An electronic combination turn signal and emergency warning flasher is secured to the lower LH instrument panel reinforcement by one screw (above fuse panel).

Location and Values

A combination fuse and circuit breaker panel contains most of the fuses and circuit breakers used in the system. Refer to the panel illustration shown under Fuse Panel Location.

Fuse Panel Location

The fuse panel is located to the left of the steering column, and is hung from the instrument panel. To expose the fuse panel, pull the release bar up with right hand and pull panel down with left hand and remove cover.



K8696-E

| Item | Part Number | Description |
|------|-------------|----------------------------------|
| 1 | 4320 | Instrument Panel |
| 2 | 14526C | Windshield Wiper Circuit Breaker |
| 3A | N803875-S2 | Screw (2 Req'd) |

(Continued)

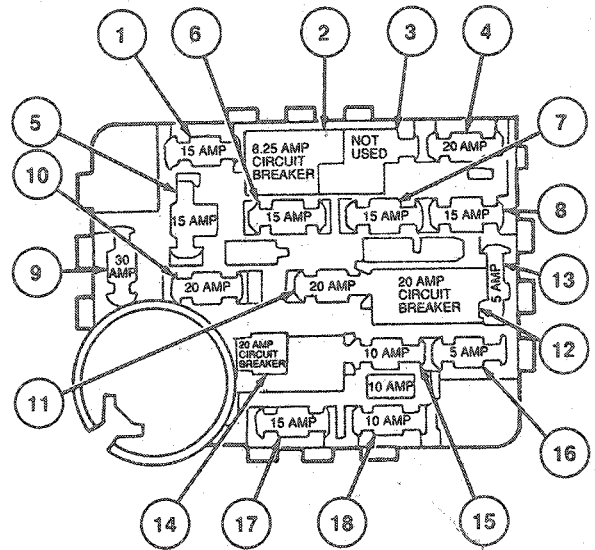
| Item | Part Number | Description |
|------|-------------|--------------------------------------|
| 4 | 14526B | Horn / Cigar Lighter Circuit Breaker |
| 5 | 14A075 | Cover Panel |
| 6 | — | Fuse Panel, Part of 14401 |
| A | — | Wiring Harness Assy |
| | | Tighten to 2.1-2.9 N·m (19-26 Lb·In) |

DESCRIPTION AND OPERATION (Continued)

The fuses are color-coded by amp rating.

| Fuse Value Amps | Color Code |
|-----------------|-------------|
| 4 | Pink |
| 5 | Tan |
| 10 | Red |
| 15 | Light Blue |
| 20 | Yellow |
| 25 | Natural |
| 30 | Light Green |

TK6459A



K8692-F

| Cavity Number | Fuse Rating | Circuit Protected |
|---------------|--------------------------|---|
| 1 | 15 Amp | High-Mount Stoplamp, Stoplamps, Front and Rear Turn Signals, Instrument Panel Turn Indicator Lamps |
| 2 | 8.25 Amp Circuit Breaker | Windshield Wiper Motor, Intermittent Wiper Module, Windshield Washer Motor |
| 3 | | Not Used |
| 4 | 20 Amp | Front Park, Side Marker and Tail Lamps, "Headlamps On" Warning Buzzer/Chime, Front Laser Lamp (Sable) |
| 5 | 15 Amp | Electronic Cluster, Rear / Window Defroster Switch, Electronic Flasher, Backup Lamps, Heated Oxygen Sensor (HO2S), Illuminated / Keyless Entry Module, Brake Interlock Solenoid |
| 6 | 15 Amp | Rear Window Wiper and Washer Motors (Wagons), Diagnostic Warning Lamp Module, Warning Chime, Headlamp Switch Illumination (Sable), Clock Illumination, Radio Illumination, EATC Control Illumination, Power Window Relay, Speed Control Amplifier |
| 7 | 15 Amp | Air Bag Module |
| 8 | 15 Amp | Clock, Radio Memory, Glove Compartment Lamp, Luggage Compartment Lamp, Instrument Panel Courtesy Lamps, Interior Lamps, Illuminated / Keyless Entry Module, Power Mirrors |
| 9 | 30 Amp | Blower Motor |
| 10 | 20 Amp | Flash-to-Pass, High Beam Headlamps and Indicator Lamp |
| 11 | 20 Amp | Radio, Premium Sound Amplifier, Power Antenna Motor, Redundant Radio Switch |
| 12 | 20 Amp Circuit Breaker | Cigar Lighters, Horn Relay, Horns |
| 13 | 5 Amp | Cluster Illumination, Radio Display, Ash Receptacle Illumination, EATC Control Display, Rear Window Defroster Switch Illumination, Rear Wiper Switch Illumination, Headlamp Switch Illumination, Clock Display, PRNDL Illumination |
| 14 | — | Not Used |
| 15 | 10 Amp | License Lamps, Side Marker and Tail Lamps |
| 16 | 5 Amp | Electronic Cluster, EATC Control |
| 17 | 15 Amp | EATC Compressor Clutch, Blend Door Actuator, A/C Compressor Clutch |
| 18 | 10 Amp | Autolamp Module, Cluster Warning Lamps, Low Oil Level Relay, Buzzer / Chime |

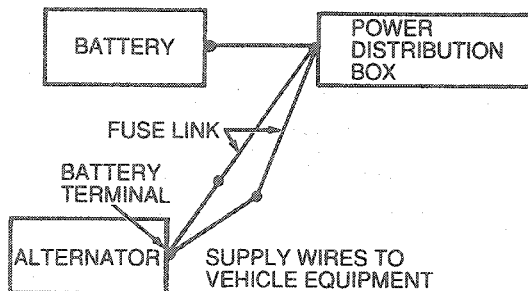
DESCRIPTION AND OPERATION (Continued)

The locations and values of the fuses and circuit breakers not contained in the panels are shown in the following circuit protection chart.

| FUSE LINK | GAUGE | LOCATION |
|------------------------------------|-------|------------------------------|
| Alternator Output | 12 | Near Power Distribution Box |
| Alternator Voltage Sensing Circuit | 18 | Near Power Distribution Box |
| Heated Windshield | 18 | Near Heated Windshield Relay |

Fuse Links

A fuse link is a short length of insulated wire integral with the engine compartment wiring harness. It is several wire gauges smaller than the circuit which it protects and generally located in-line directly from the positive terminal of the battery.



WITHOUT AMMETER

K16740-A

Production fuse links are color-coded:

- 12-gauge: GY
- 14-gauge: DG
- 16-gauge: BK
- 18-gauge: BR
- 20-gauge: DB

NOTE: Replacement fuse link color coding may vary from production fuse link color coding.

When heavy current flows, such as when a booster battery is connected incorrectly or when a short to ground occurs in the wiring harness, the fuse link burns out and protects the alternator or wiring.

A burned out fuse link may have bare wire ends protruding from the insulation, or it may have only expanded or bubbled insulation with illegible identification. When it is hard to determine if the fuse link is burned out, perform the continuity test.

DIAGNOSIS AND TESTING

Fuse Link Continuity Test

1. Make certain that battery is OK, then turn on headlamps or any accessory. If headlamps or an accessory do not operate, a fuse link is probably burned out.
2. When there are two fuse links, use same procedure as in Step 1 to test each link separately.

To test fuse link that protects alternator, make certain that battery is OK, then check with a voltmeter or 12 volt test lamp for voltage at the BAT terminal of the alternator. No voltage indicates that alternator fuse link is probably burned out.

REMOVAL AND INSTALLATION

Fuses and Circuit Breakers

To check or replace a fuse or circuit breaker:

1. Locate and remove the malfunctioning fuse or circuit breaker by pulling it out of its cavity.
2. Replace the blown fuse or circuit breaker with one of proper amp rating for the circuit by pushing straight in until the fuse or circuit breaker seats itself fully in the cavity.

Fuse Panel

The fuse panel is a part of the instrument panel-to-dash panel (14401) wiring harness. The fuse panel cannot be replaced separately from harness.

To remove the wiring harness, of which the fuse panel is a part, refer to Removal and installation as outlined.

Fuse Link

Tools Required:

- Wire Fitting Crimping Tool T67S-17018-A

CAUTION: Do not fabricate a fuse link from ordinary wire because the insulation may not be flame proof.

REMOVAL AND INSTALLATION (Continued)

If it becomes necessary to replace a fuse link in a wiring assembly, make sure the replacement fuse link is a duplicate of one removed with respect to gauge, length and insulation. Original and Ford replacement fuse links have insulation that is flame proof.

WARNING: ALWAYS DISCONNECT BATTERY GROUND CABLE PRIOR TO SERVICING ANY FUSE LINK.

If a circuit protected by a fuse link becomes inoperative, inspect for a blown fuse link. If the fuse link wire insulation is burned or opened, disconnect the feed as close as possible behind the splice in the harness. If the damaged fuse link is between two splices (weld points in the harness), cut out the damaged portion as close as possible to the weld points.

NOTE: Some fuse links shown have an eyelet terminal for an 8mm (5/16 inch) stud on one end.

**WIRING ASSEMBLY — FUSE LINK
(WITH EYELET TERMINAL AND ONE END STRIPPED)**



E9AZ-14526-A — NO. 12
GAUGE WIRE (GRAY)

D3AZ-14A526-D — NO. 14 GAUGE WIRE — APPROX.
230mm (9 INCHES) LENGTH (GREEN INSULATION) AS
REQ'D

D3AZ-14A526-E — NO. 16 GAUGE WIRE — APPROX.
230mm (9 INCHES) LENGTH (ORANGE INSULATION) AS
REQ'D

D3AZ-14A526-F — NO. 18 GAUGE WIRE — APPROX.
230mm (9 INCHES) LENGTH (RED INSULATION) AS
REQ'D

D3AZ-14A526-G — NO. 20 GAUGE WIRE — APPROX.
230mm (9 INCHES) LENGTH (BLUE INSULATION) AS
REQ'D

K9502-B

When an eyelet terminal is not required, use one of fuse links with insulation stripped from both ends.

**WIRING ASSEMBLY — FUSE LINK
(WITH INSULATION STRIPPED BOTH ENDS)**



D3AZ-14A526-H — NO. 14 GAUGE WIRE — APPROX.
230mm (9 INCHES) LENGTH (GREEN INSULATION)

D3AZ-14A526-J — NO. 16 GAUGE WIRE — APPROX.
230mm (9 INCHES) LENGTH (ORANGE INSULATION) AS
REQ'D

D3AZ-14A526-K — NO. 17 GAUGE WIRE — APPROX.
230mm (9 INCHES) LENGTH (YELLOW INSULATION) AS
REQ'D (SPECIAL USED WITH AIR CONDITIONING
SYSTEM)

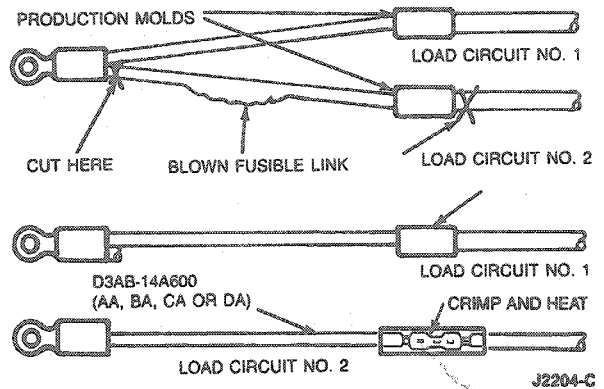
D3AZ-14A526-L — NO. 18 GAUGE WIRE — APPROX.
230mm (9 INCHES) LENGTH (RED INSULATION) AS
REQ'D

D3AZ-14A526-M — NO. 20 GAUGE WIRE — APPROX.
230mm (9 INCHES) LENGTH (BLUE INSULATION) AS
REQ'D

K8503-A

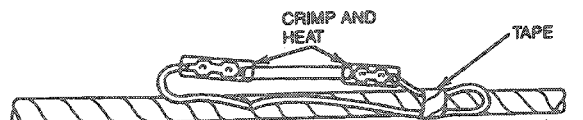
1. To service a two-link group when only one link has blown and other link is not damaged proceed as follows:
 - a. Cut out blown fusible link (two places).

- b. Position correct eyelet type service fusible link with bare end to correct size wire connector and crimp to wire end. Use Wire Fitting Crimping Tool T67S-17018-A. Heat splice insulation until tubing shrinks and adhesive flows from each end of connector.



2. To service a fuse link in a multi-feed or single circuit, proceed as follows:

- a. Determine which circuit is damaged, its location and cause of open fuse link. If damaged fuse link is one of three fed by common 10- or 12-gauge feed wire, determine specific affected circuit.
- b. Cut damaged fuse link from wiring harness and discard it. If fuse link is one of three circuits fed by single feed wire, cut it out of harness at each splice end and discard.
- c. Identify and procure proper fuse link and butt connectors for attaching fuse link to harness.
- d. Strip wires 7.6mm (5/16 inch) and insert into proper size wire connector. Crimp and heat splice insulation until tubing shrinks and adhesive flows from each end of connector.
- e. To replace any fuse link on a single circuit in a harness, cut out damaged portion. Strip approximately 12.7mm (1/2 inch) of insulation from two wire ends and attach correct size fuse link to each wire end with proper gauge wire connectors. Crimp and heat splice insulation until tubing shrinks and adhesive flows from each end of connector.



K14580-A

REMOVAL AND INSTALLATION (Continued)

3. To service any fuse link which has an eyelet terminal on one end such as the charging circuit, proceed as follows:
 - a. Cut off open fuse link behind weld. Strip approximately 12.7mm (1/2 inch) of insulation from cut end and attach appropriate new eyelet fuse link to cut stripped wire with an appropriate size connector.
 - b. Crimp and heat splice insulation until tubing shrinks and adhesive flows from each end of connector.



TYPICAL REPAIR USING THE EYELET TERMINAL FUSE LINK OF THE SPECIFIED GAUGE FOR ATTACHMENT TO A CIRCUIT WIRE END
J2323-C

DO NOT MISTAKE A RESISTOR WIRE FOR A FUSE LINK. The resistor wire is generally longer and has print stating: "Resistor—do not cut or splice."

When attaching a No. 16-, 18- or 20-gauge fuse link to a heavy gauge wire, always double the stripped wire end of the fuse link before inserting and crimping it into the wire connector for positive wire retention.

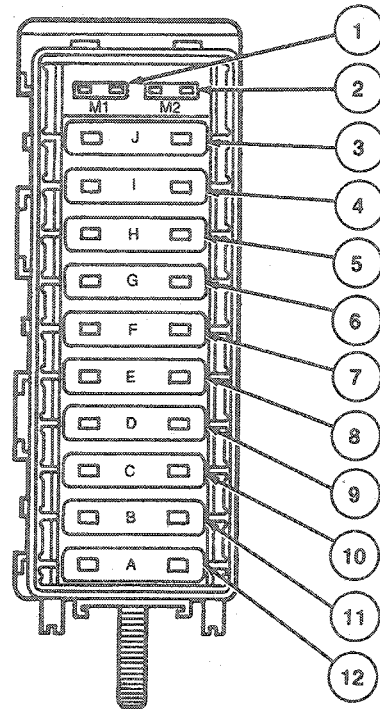
NOTE: If the damaged fuse link is between two splices (weld points in a harness), cut out damaged portion as close to splices as possible.

The following illustrations show typical electrical connectors and their disengagements.

Power Distribution Box

The power distribution box is located in the engine compartment on the LH fender apron.

WARNING: ALWAYS DISCONNECT THE BATTERY BEFORE SERVICING THE HIGH CURRENT FUSES IN THE POWER DISTRIBUTION BOX.



K16736-A

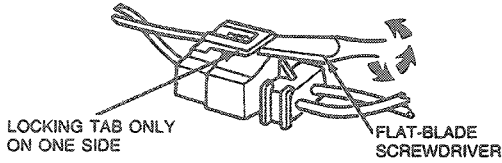
Power Distribution Box

| ITEM | RATING | COLOR | CIRCUIT |
|------|--------|-------|--------------------------------|
| 1 | 10A | R | Ignition Coil |
| 2 | 10A | R | Accessory Feed |
| 3 | 40A | GR | Power Lock / Window |
| 4 | 40A | GR | Anti-Lock |
| 5 | 40A | GR | Rear Defroster |
| 6 | 30A | PK | Anti-Lock Module |
| 7 | 60A | Y | Headlamps |
| 8 | 40A | GR | Fuse Panel |
| 9 | 60A | Y | Engine Cooling Fan |
| 10 | 30A | PK | Electronic Engine Control |
| 11 | 60A | Y | Ignition Switch / Blower Motor |
| 12 | 60A | Y | Ignition Switch / Blower Motor |

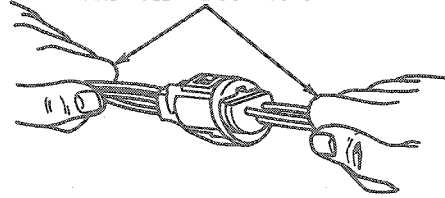
REMOVAL AND INSTALLATION (Continued)

In-Line Connectors

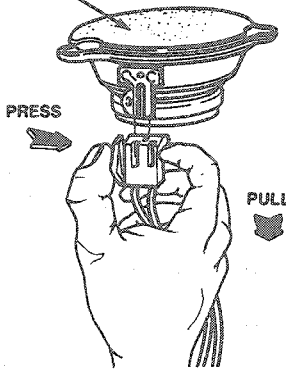
INSERT A FLAT-BLADE SCREWDRIVER IN THE LOCKING TAB AND TWIST, GRASP THE WIRES AND PULL TO SEPARATE.



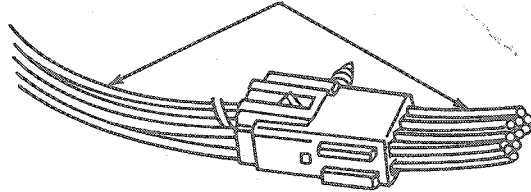
GRASP THE WIRES WITH BOTH HANDS AND PULL THE CONNECTOR APART



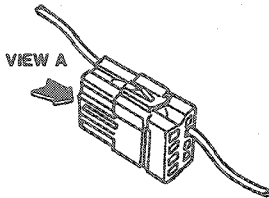
PREMIUM SOUND SPEAKER



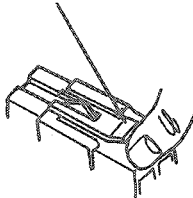
SPREAD THE LOCKING TABS, GRASP THE WIRES WITH BOTH HANDS AND PULL THE CONNECTOR APART.



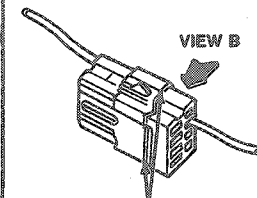
PLACE A THUMB UNDER THE LOCKING TAB AND PUSH UP. GRASP THE WIRES AND PULL TO SEPARATE.



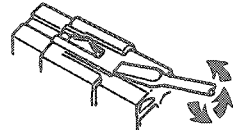
LOCKING TAB ONLY ON ONE SIDE



VIEW A



LOCKING TABS ARE ON BOTH SIDES OF THE CONNECTOR

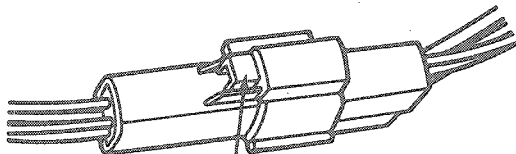


VIEW B

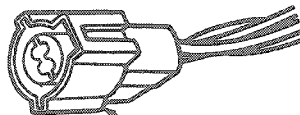
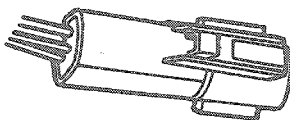
INSERT A FLAT-BLADE SCREWDRIVER IN THE LOCKING TAB AND TWIST. GRASP TAB IS ON THE RAMP. TURN THE CONNECTOR OVER AND REPEAT THE PROCEDURE ON THE OPPOSITE SIDE OF THE CONNECTOR. THEN GRASP THE WIRES AND PULL APART

K7030-D

In-Line Connector, Submersible



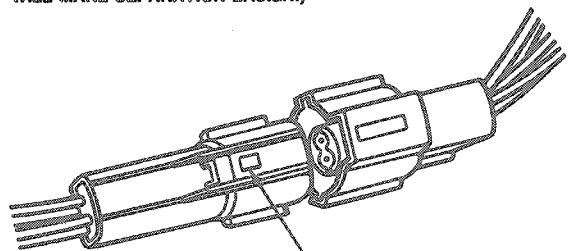
DEPRESS LOCKING TAB



TERMINAL RETAINER

IN LINE CONNECTOR DISENGAGEMENT PROCEDURE

1. GRASP EACH END OF CONNECTOR BODY.
2. WHILE HOLDING CONNECTOR BODY, USE THUMB PRESSURE TO DEPRESS LOCKING TAB AND PULL CONNECTOR APART (NOTE: "WIGGLING" THE PARTS WILL MAKE SEPARATION EASIER.)

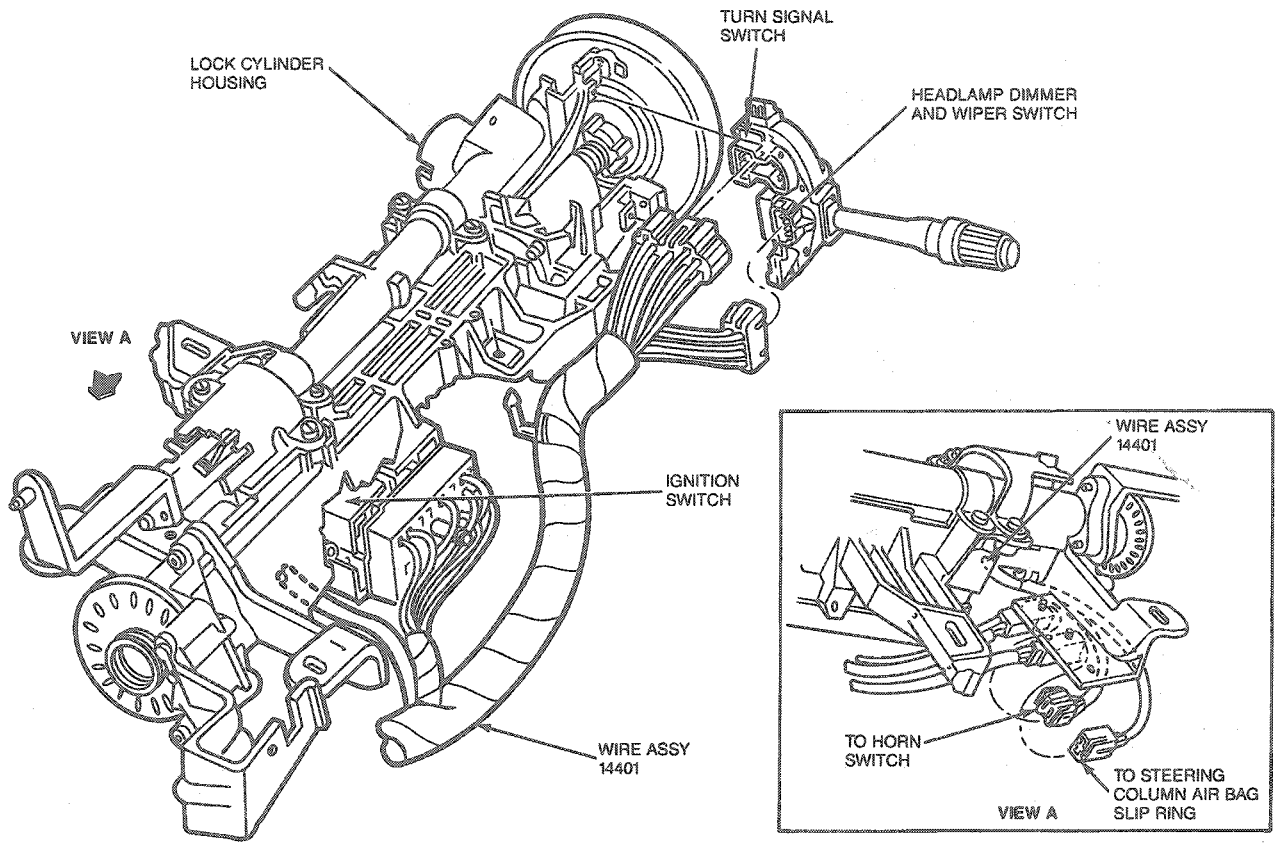


LOCKING TAB

K8724-A

REMOVAL AND INSTALLATION (Continued)

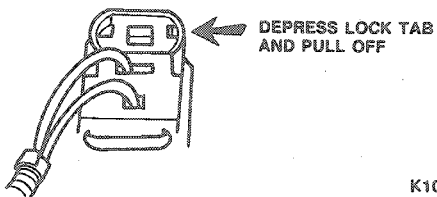
Component Connectors



K13998-A

Alternator Connectors

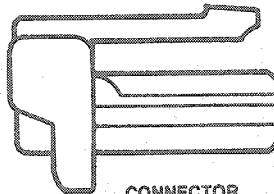
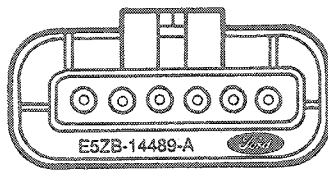
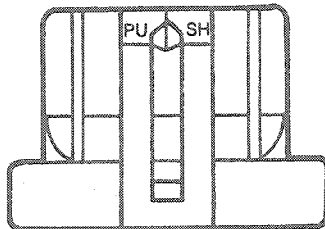
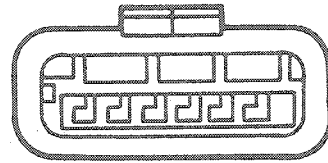
3.0L and 3.8L Engines, 130 Amp Alternator



K10733-A

REMOVAL AND INSTALLATION (Continued)

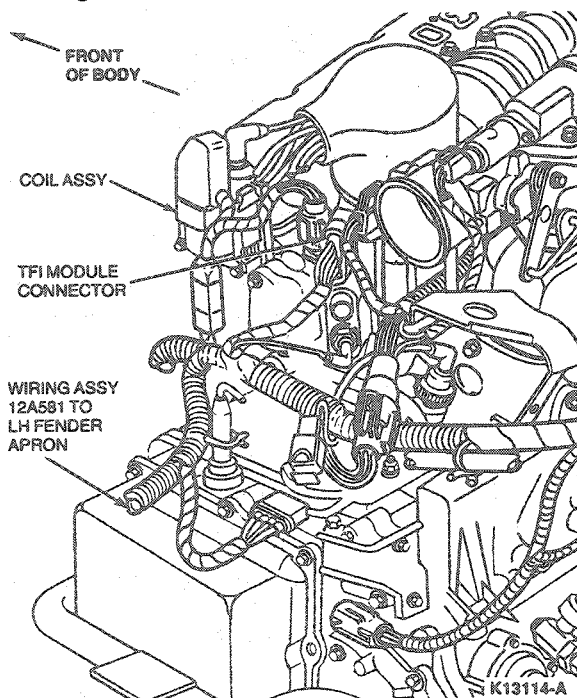
Distributor Ignition (DI) Module 12A297 Connector

CONNECTOR
14489

DI CONNECTOR DISENGAGEMENT PROCEDURE

1. GRASP CONNECTOR PLACING THUMB ON TAB MARKED "PUSH".
2. WHILE HOLDING CONNECTOR BODY, USE THUMB PRESSURE TO DEPRESS LOCKING TAB AND PULL CONNECTOR FROM MODULE. (NOTE: "WIGGLING" THE CONNECTOR WILL MAKE SEPARATION EASIER).

K13109-B

3.0L Engine Module Connector Shown
3.8L Engine Similar

The illustrations show the complete wiring harness installation for Taurus / Sable vehicles. Refer to the illustrations for the harness being replaced while performing the following Removal and Installation procedures.

Removal

1. Disconnect battery ground cable.
NOTE: Refer to Section 01-05 if it is necessary to remove any trim panels to gain access to the harness.
2. Disconnect all wiring harness connectors.
3. Disengage harness from all locators, straps and / or clips as necessary, including ground wire eyelets. Remove harness from vehicle.

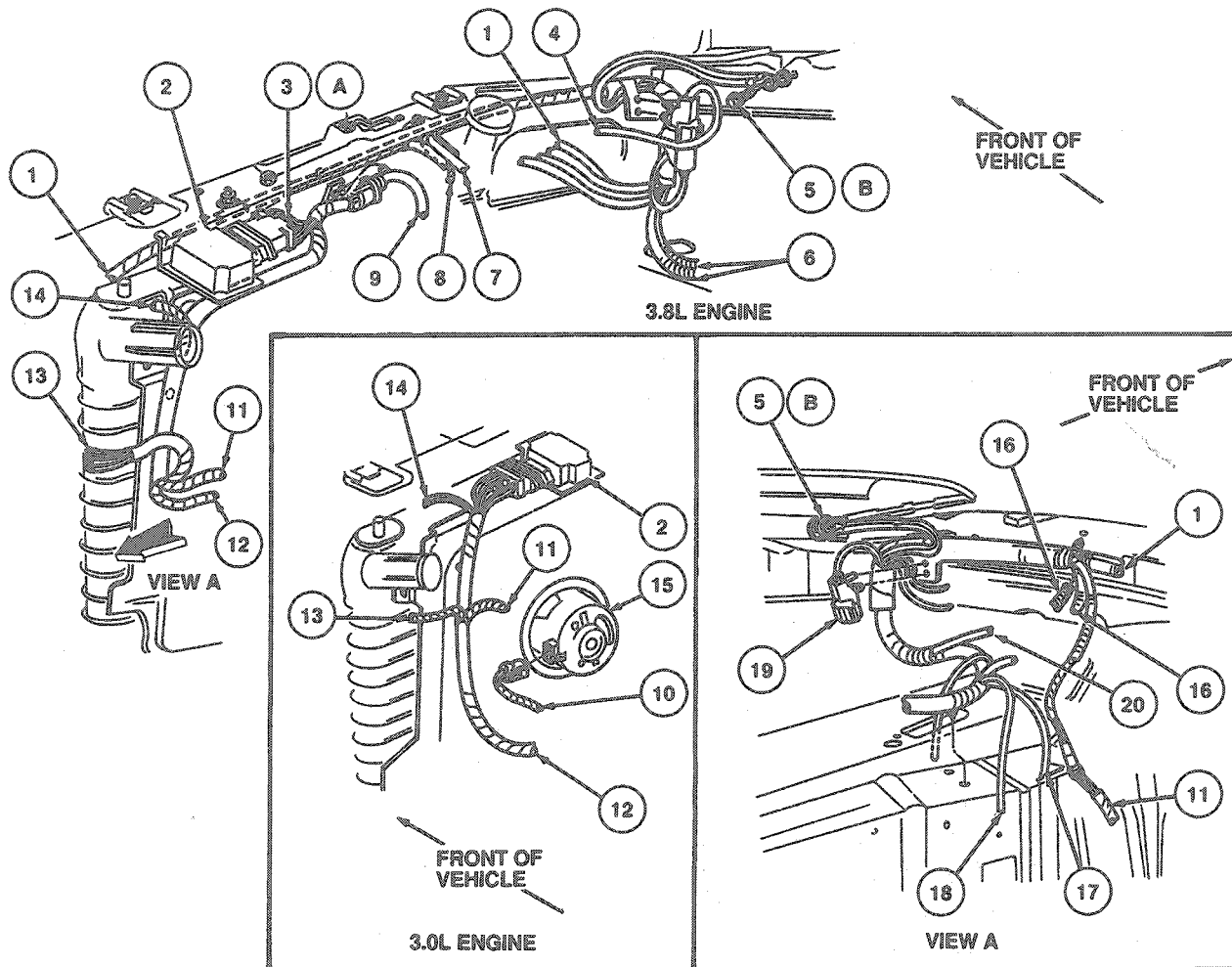
Installation

1. Position harness in vehicle. Ensure that harness is engaged in all locators, straps and / or clips.
2. Connect all harness connectors to components or other harnesses as necessary.
3. Secure ground eyelets to body as necessary.
4. Connect battery ground cable. Check all applicable circuits for proper operation.
5. Install any trim removed during harness removal. Refer to Section 01-05.

REMOVAL AND INSTALLATION (Continued)

Radiator Support Wiring

Taurus/Sable (Except SHO)



K17198-A

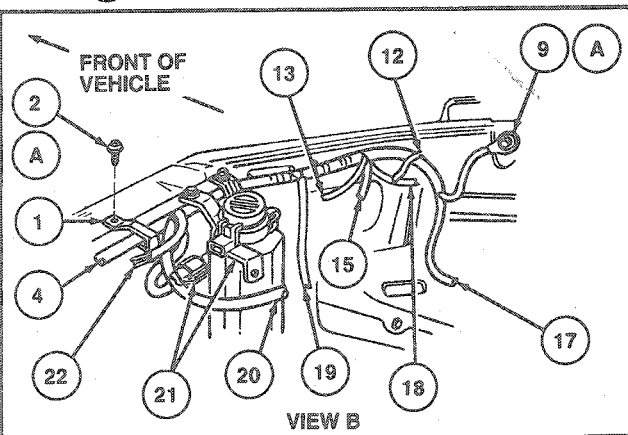
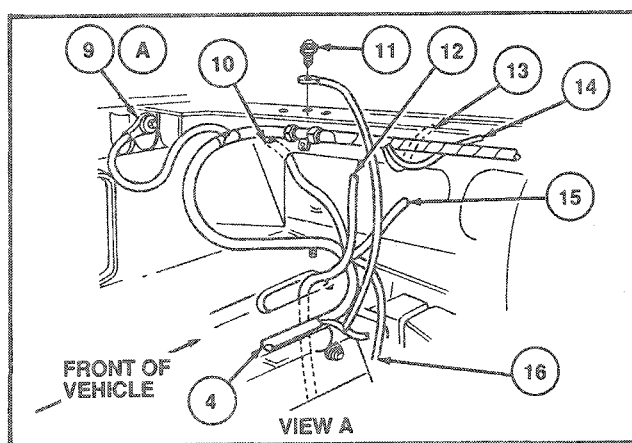
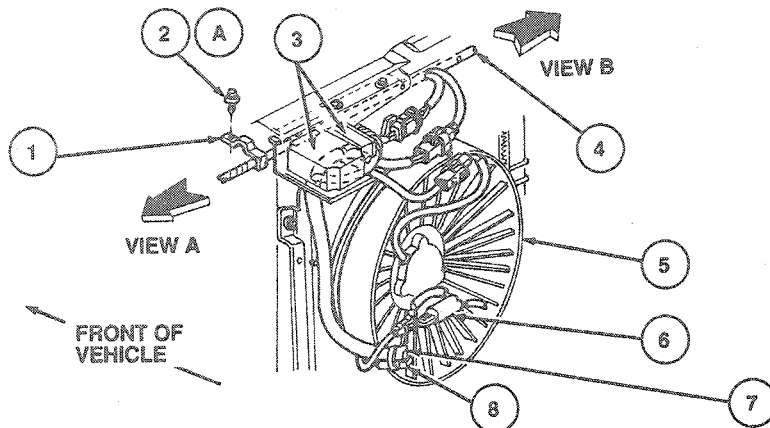
| Item | Part Number | Description |
|------|---------------|-------------------------------------|
| 1 | 14290 | Wiring Harness Assy |
| 2 | 12B581 | Integrated Relay Controller Assy |
| 3A | 12B581 | Connector Retaining Bolt |
| 4 | 15A434 | Cornering Lamp Wiring Harness Assy |
| 5B | N801846-S36MG | Ground Screw |
| 6 | — | To Windshield Washer Reservoir |
| 7 | — | Fluid Sensor and Pump |
| 8 | — | To Alternator Wiring Assy |
| 9 | — | To Front Center Air Bag Sensor Assy |
| 10 | — | To Engine Cooling Fan |
| 11 | — | To Canister Purge Solenoid |

(Continued)

| Item | Part Number | Description |
|------|-------------|--------------------------------------|
| 12 | — | To 12A581 Wiring Harness Assy |
| 13 | — | To 14290 Wiring Harness Assy |
| 14 | — | To 14B060 Wiring Harness Assy |
| 15 | — | Engine Cooling Fan |
| 16 | — | To Laser Lamp (Sable) |
| 17 | — | To Ambient Temperature Sensor |
| 18 | — | To Horns |
| 19 | — | To 15A434 Wiring Harness Assy |
| 20 | — | To Anti-Lock Brake Pump |
| A | — | Tighten to 1.4-2 N·m (12-18 Lb·In) |
| B | — | Tighten to 3.4-4.8 N·m (30-42 Lb·In) |

REMOVAL AND INSTALLATION (Continued)

Radiator Support Wiring, 3.0L SHO



K13987-B

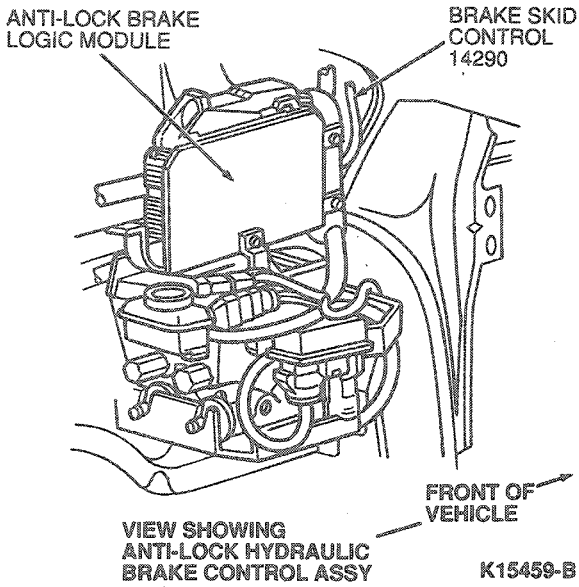
| Item | Part Number | Description |
|------|---------------|---------------------------------------|
| 1 | 14536 | Bracket |
| 2A | 56910-S2 | Screw (2 Req'd) |
| 3 | 12B581 | Integrated Relay Controller Assy |
| 4 | 14290 | Wiring Harness Assy |
| 5 | — | Cooling Fan and Shroud Assy |
| 6 | — | Canister Purge Solenoid |
| 7 | 12A581 | Wiring Harness Assy |
| 8 | — | To Shorting Plug |
| 9A | N801846-S36MG | Ground Screw |
| 10 | — | To LH Side Marker and Cornering Lamps |
| 11 | N803991-S36 | Screw |
| 12 | — | To Park and Turn Signal Lamp |

| Item | Part Number | Description |
|------|-------------|--|
| 13 | — | To Fog Lamp |
| 14 | — | To Ambient Temperature Sensor |
| 15 | — | To AERO Headlamp |
| 16 | — | To Horns |
| 17 | — | To RH Brake Sensor Assy |
| 18 | — | To Windshield Washer Pump Reservoir Fluid Level Sensor, RH Side Marker and Cornering Lamps |
| 19 | — | To A/C Pressure Switch |
| 20 | — | To Alternator |
| 21 | — | Low Coolant Level Sensor |
| 22 | — | To Central Air Bag Sensor Assy |
| A | — | Tighten to 3.4-4.8 N·m (30-42 Lb·In) |

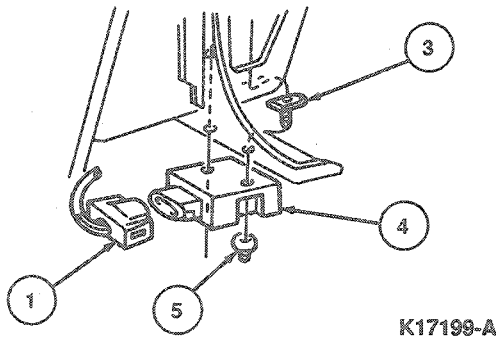
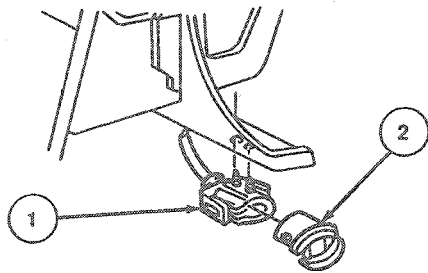
(Continued)

REMOVAL AND INSTALLATION (Continued)

Anti-Lock Hydraulic Brake Control



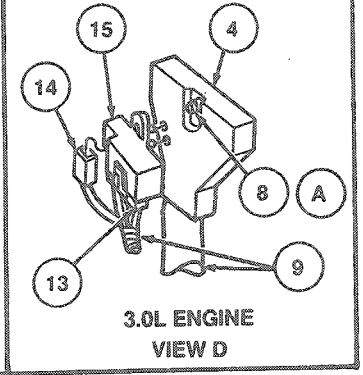
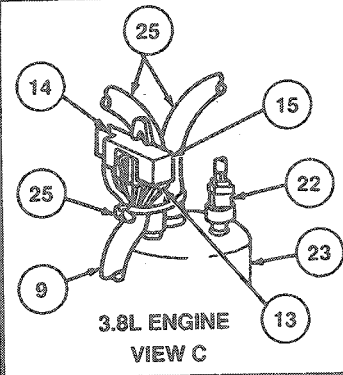
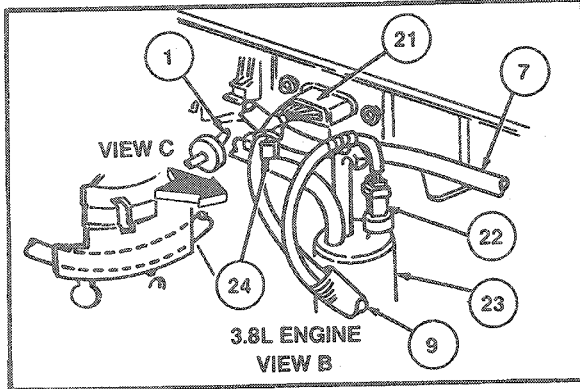
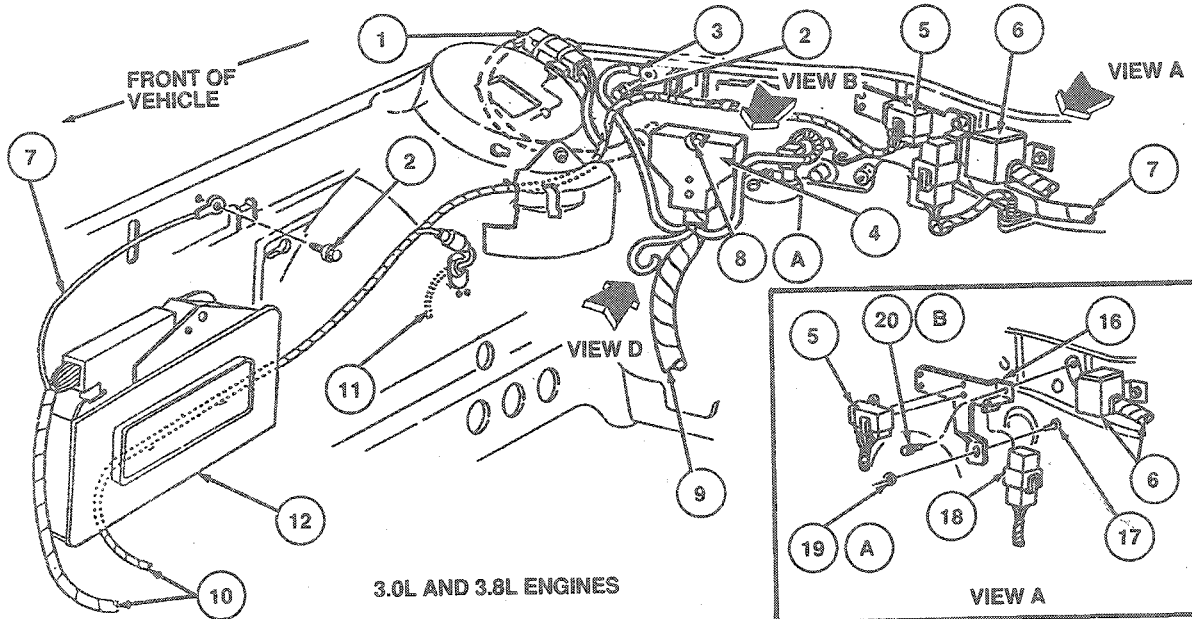
Running Lamp Control Module



| Item | Part Number | Description |
|------|-------------|---------------------------------------|
| 1 | 14290 | Wiring Harness Assy |
| 2 | 14A624 | Shorting Bar |
| 3 | N800320-S32 | Screw and Retainer Assy |
| 4 | 15A270 | Light System Control and Bracket Assy |
| 5 | 62039 1-S36 | Nut and Washer Assy |

REMOVAL AND INSTALLATION (Continued)

Fender Apron, RH 3.0L and 3.8L Engine



K17200-A

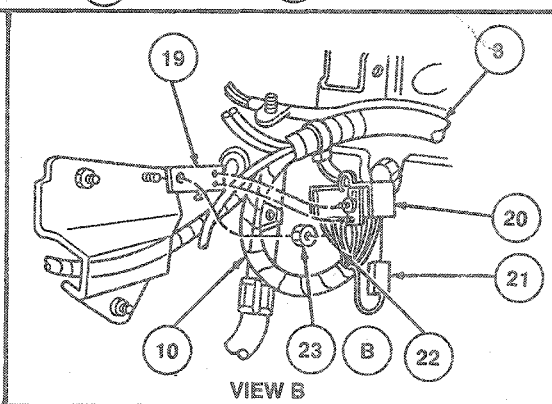
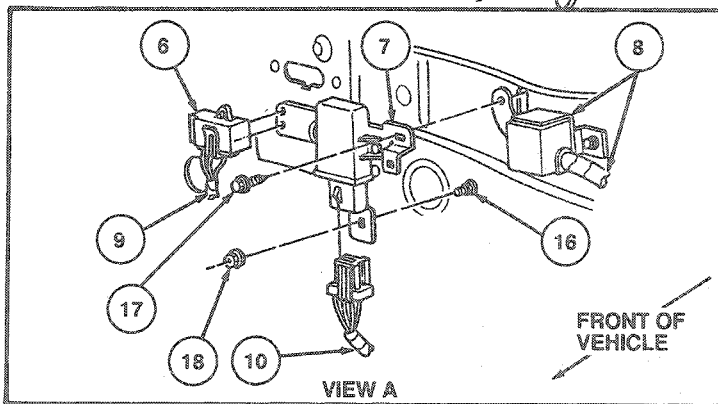
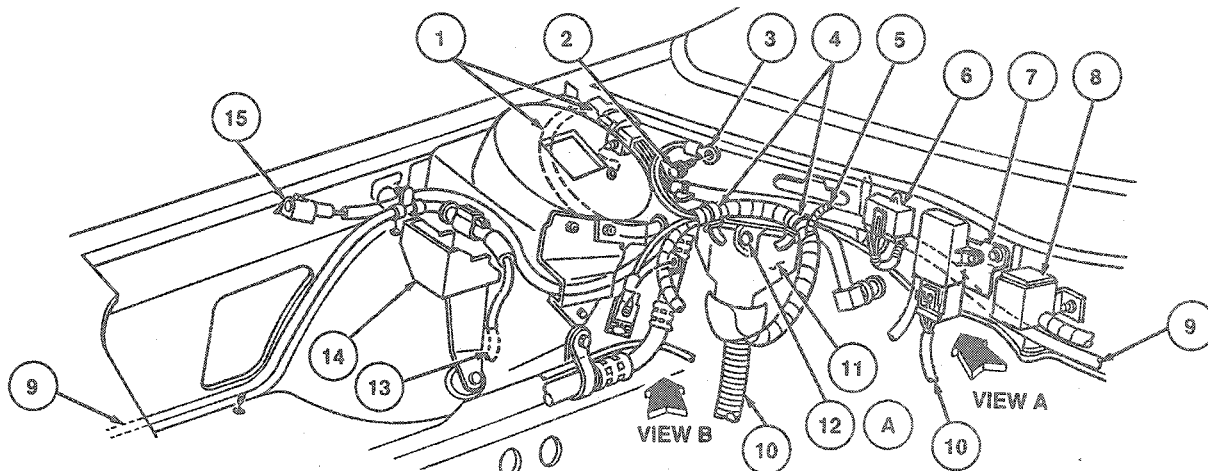
| Item | Part Number | Description |
|------|---------------|--|
| 1 | 2C055 | Wiring Harness Assy |
| 2 | N805375-S36MG | Ground Screw (2 Req'd) |
| 3 | — | Wiring Harness Ground |
| 4 | — | To Powertrain Control Module |
| 5 | — | ABS Test Connector |
| 6 | — | Crash Sensor Assy |
| 7 | — | Ground Connection Wire for 14290 Wiring Harness Assy |
| 8A | 12A581 | Connector Retaining Bolt |
| 9 | 12A581 | Wiring Harness Assy |
| 10 | 14290 | Wiring Harness Assy |
| 11 | — | To RH Front Anti-Lock Brake Wheel Sensor |
| 12 | — | Anti-Lock Brake Control Module |

| Item | Part Number | Description |
|------|--------------|--------------------------------------|
| 13 | 14489 | Data Link Connector |
| 14 | — | STI Test Connector |
| 15 | 14A593 | Connector Cover Assy |
| 16 | 14A301 | Bracket |
| 17 | — | Existing Stud From Evaporator |
| 18 | 14B193 | Anti-Lock Brake Relay |
| 19A | N621905-S56B | Nut |
| 20B | N806941-S40B | Screw |
| 21 | — | To TPI Module |
| 22 | — | A/C Pressure Switch |
| 23 | — | A/C Accumulator |
| 24 | 12A581 | Shorting Plug |
| 25 | 95873-S | Strap |
| A | | Tighten to 5.2-7.2 N·m (46-64 Lb·In) |
| B | | Tighten to 7.6-10.4 N·m (6-8 Lb·Ft) |

(Continued)

REMOVAL AND INSTALLATION (Continued)

Fender Apron, RH 3.0L SHO



K17201-A

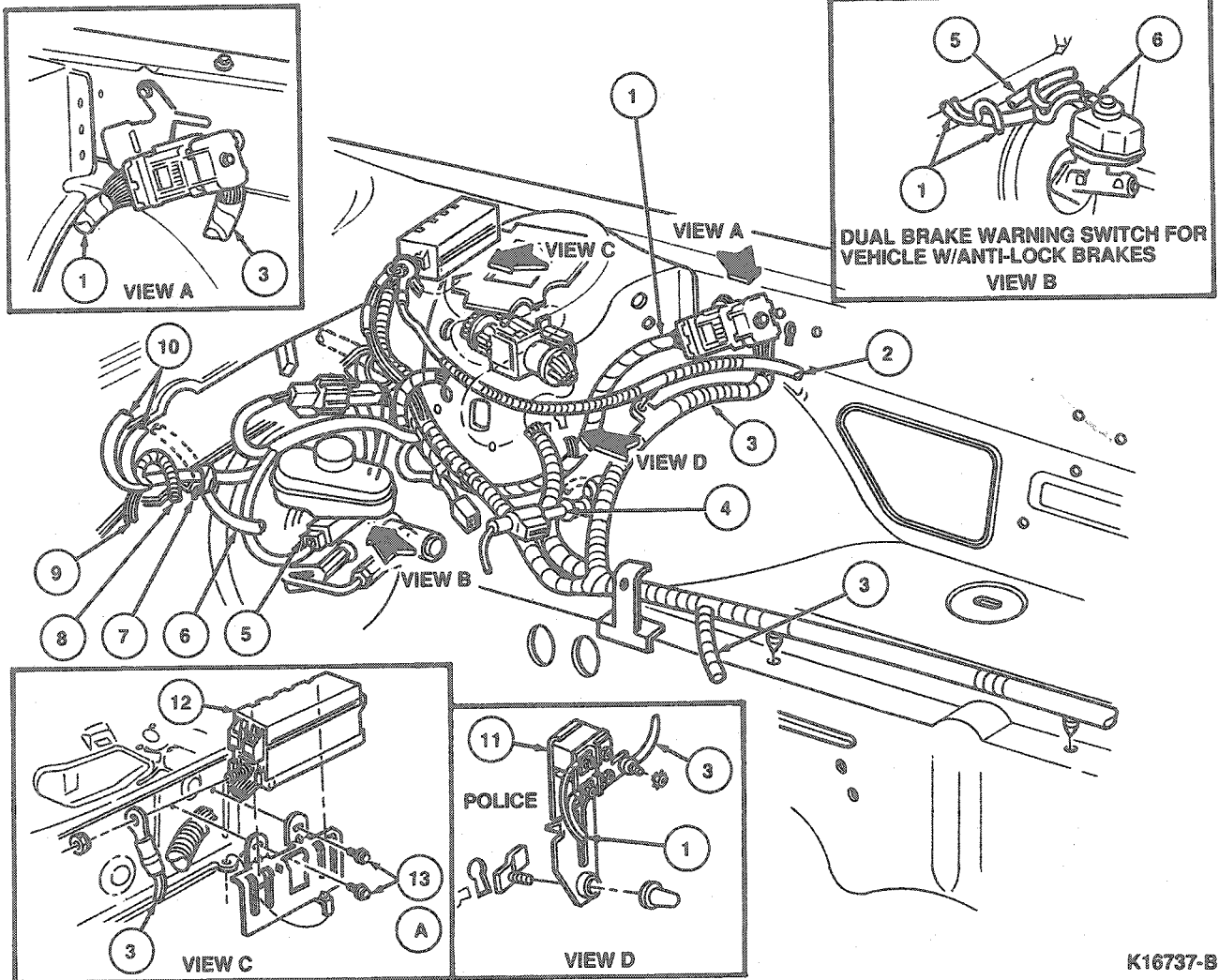
| Item | Part Number | Description |
|------|---------------|---|
| 1 | 2C055 | Wiring Harness Assy to Rear Anti-Lock Brake Sensors |
| 2 | N801846-S36MG | Ground Screw |
| 3 | 12A581 | Wiring Harness Ground Strap (2 Req'd) |
| 4 | 95873-S | To A/C Pressure Switch |
| 5 | — | To Anti-Lock Brake Tester |
| 6 | — | Bracket and BAP Sensor |
| 7 | 12B583 | Air Bag Sensor |
| 8 | — | Wiring Harness Assy |
| 9 | 14290 | Wiring Harness Assy |
| 10 | 12A581 | Connector to Powertrain Control Module |
| 11 | — | Connector Retaining Bolt |
| 12A | 12A581 | Connector Retaining Bolt |

| Item | Part Number | Description |
|------|---------------|--|
| 13 | — | To RH Anti-Lock Brake Sensor |
| 14 | — | Power Steering Pump Reservoir |
| 15 | 14B080 | Existing Stud |
| 16 | — | To Starter Cable Assy |
| 17 | N806941-S36MG | Screw |
| 18 | N621905-S56B | Nut |
| 19 | 14A163 | Retainer |
| 20 | 14A593 | Cover Assy |
| 21 | — | STI Test Connector |
| 22 | 14489 | Data Link Connector |
| 23B | — | Existing Nut |
| A | — | Tighten to 5.2-7.2 N·m (46-64 Lb·In) |
| B | — | Tighten to 29.7-40.3 N·m (22-30 Lb·Ft) |

(Continued)

REMOVAL AND INSTALLATION (Continued)

Fender Apron, LH
3.0L and 3.8L Engine



K16737-B

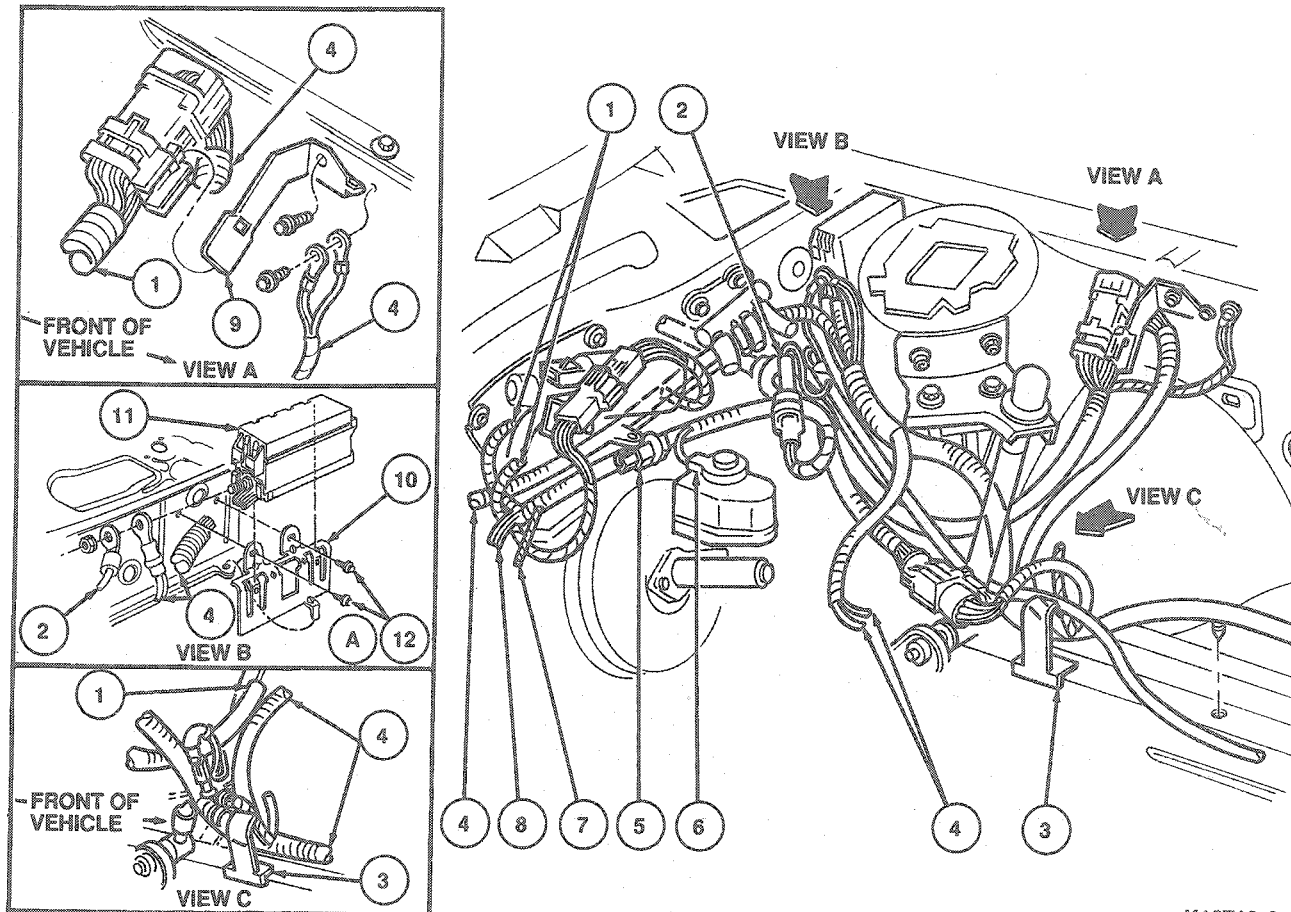
| Item | Part Number | Description |
|------|-----------------|--|
| 1 | 14401 | Wiring Assy |
| 2 | 14B060 | Battery Cable |
| 3 | 14290 | Wiring Assy |
| 4 | — | To Brake Sensor |
| 5 | 2B264 | Brake Fluid Level Switch |
| 6 | 3F720 or 18D273 | Wiring Assy Heated Windshield and / or Variable Assist Power Steering (VAPS) |
| 7 | — | To Engine Compartment Lamp |

| Item | Part Number | Description |
|------|-------------|---|
| 8 | — | To Cold Lock Out for Vehicles with (EATC) |
| 9 | — | To Rear Air Bag Sensor |
| 10 | — | To Windshield Wiper Motor |
| 11 | 14A065 | Circuit Breaker and Bracket Assy (3.8L Police Only) |
| 12 | — | Power Distribution Box— Part of 14290 Wiring Harness Assy |
| 13A | N610957-S36 | (2 Req'd) |
| A | | Tighten to 3.6-4.1 N·m (32-36 Lb·In) |

(Continued)

REMOVAL AND INSTALLATION (Continued)

3.0L SHO



K16710-A

| Item | Part Number | Description |
|------|-------------|---|
| 1 | 14401 | Wiring Assy |
| 2 | 14431 | Wiring Assy |
| 3 | — | Existing Clip for Brake Lines |
| 4 | 14290 | Wiring Assy |
| 5 | — | To Engine Compartment Lamp |
| 6 | 2B264 | Brake Fluid Level Switch |
| 7 | — | To Cold Lock Out for Vehicles with (EATC) |

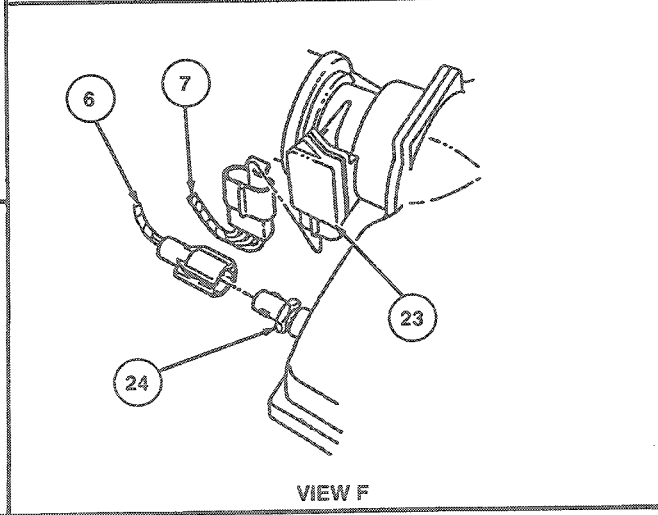
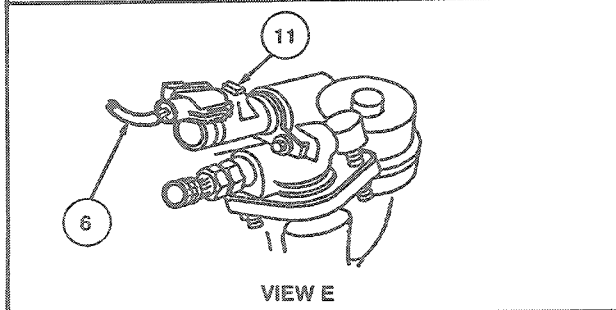
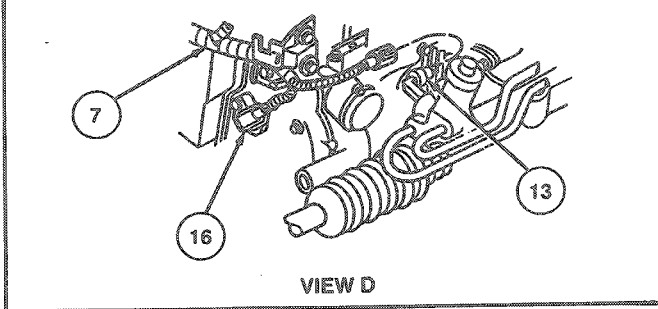
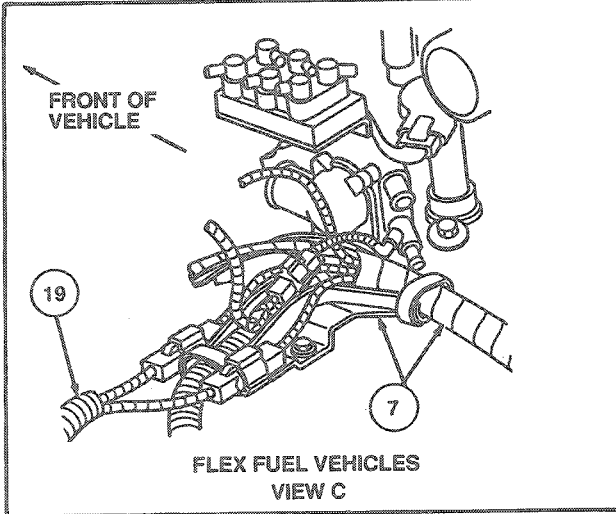
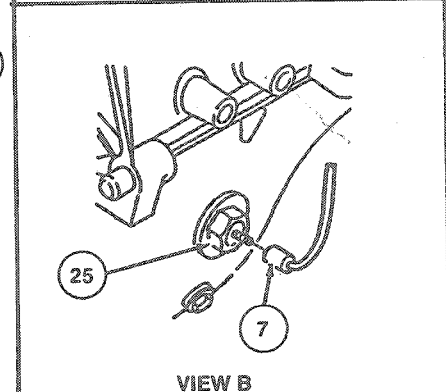
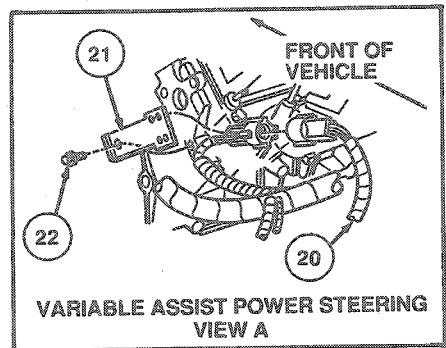
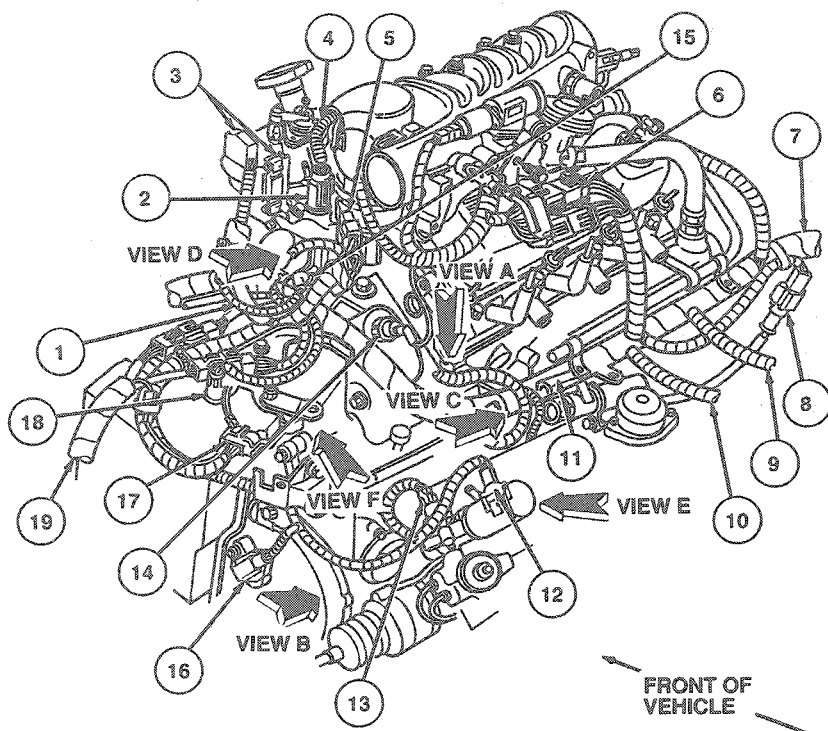
| Item | Part Number | Description |
|------|-------------|--|
| 8 | — | To Rear Air Bag Sensor |
| 9 | 14A206 | Bracket |
| 10 | 14A254 | Bracket Fuse Panel |
| 11 | — | Power Distribution Box — Part of 14290 Wiring Harness Assy |
| 12A | N610957 | Screw (2 Req'd) |
| A | | Tighten to 3.6-4.1 N·m (32-36 Lb·In) |

(Continued)

REMOVAL AND INSTALLATION (Continued)

Engine Wiring

3.0L Engine



K17202-A

REMOVAL AND INSTALLATION (Continued)

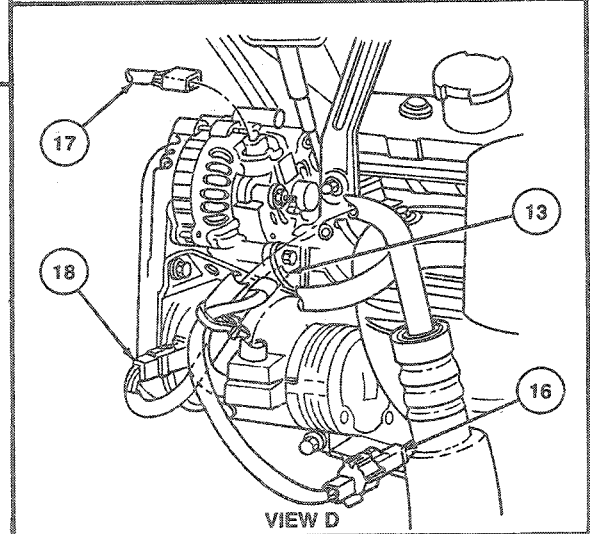
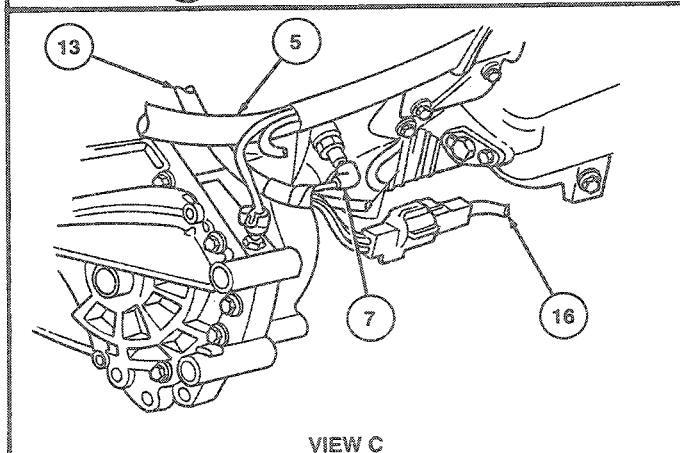
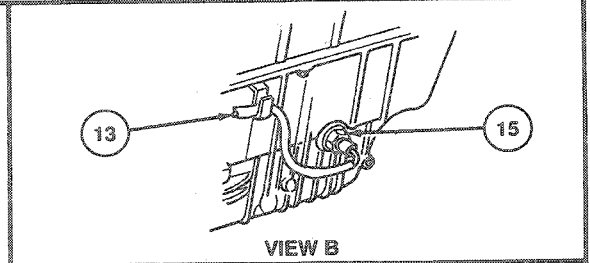
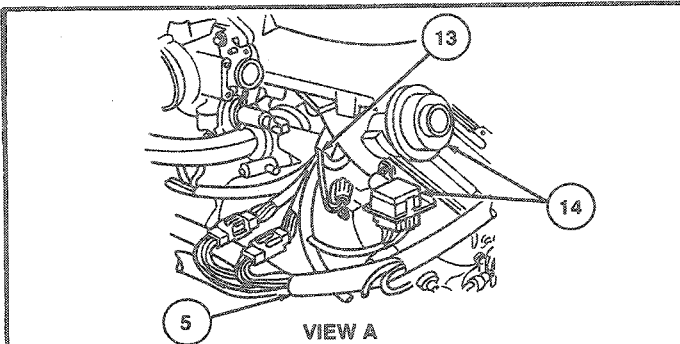
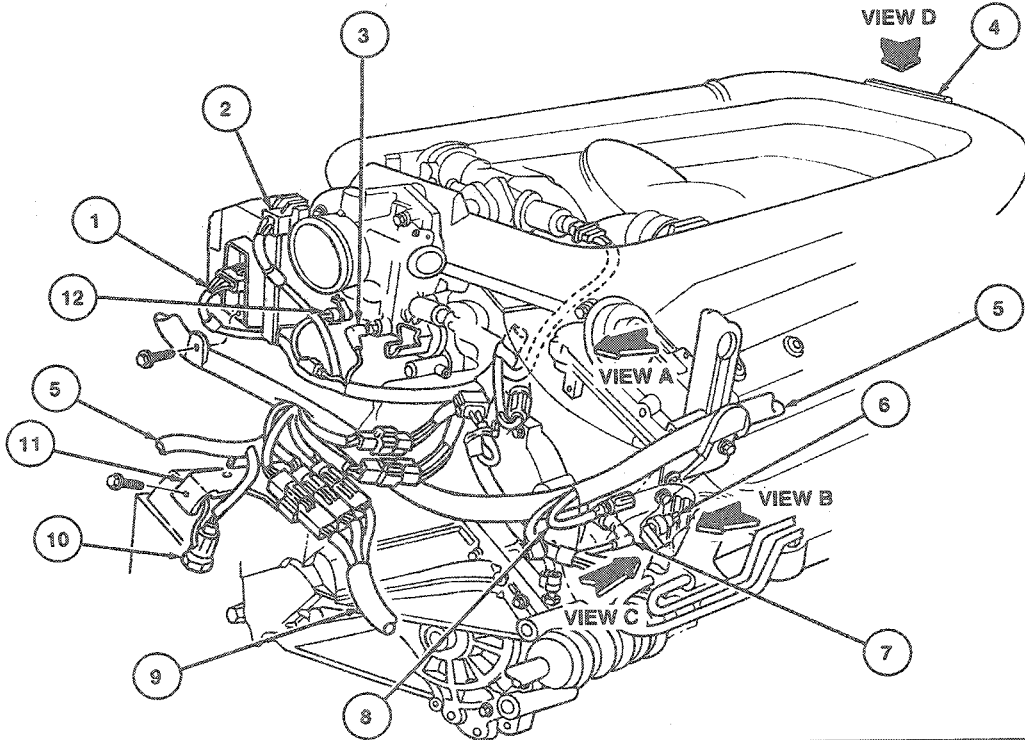
| Item | Part Number | Description |
|------|-------------|---|
| 1 | 10B886 | Wiring Harness Assy |
| 2 | 12A648 | Engine Coolant Temperature Sensor |
| 3 | 12029 | Ignition Coil Assy |
| 4 | 9D930 | Fuel Charging Wiring |
| 5 | — | To Distributor Ignition |
| 6 | 12A581 | Wiring Harness Assy Flex Fuel With VPS |
| 7 | 12A581 | Wiring Harness Assy |
| 8 | — | To Rear Heated Oxygen Sensor |
| 9 | — | To Electronic Ignition Module |
| 10 | — | To Vapor Management Valve |
| 11 | 9E731 | Vehicle Speed Sensor |
| 12 | — | To Variable Assist Power Steering Motor |

(Continued)

| Item | Part Number | Description |
|------|-------------|--|
| 13 | — | To Power Steering Pressure Switch |
| 14 | — | To Oil Pressure Switch |
| 15 | — | To Engine Coolant Temperature Switch |
| 16 | — | To Turbine Speed Sensor |
| 17 | — | To Neutral Start Switch |
| 18 | — | To AXOD Sensor |
| 19 | 14290 | Wiring Harness Assy |
| 20 | 3F720 | Wiring Harness Assy (For Vehicles With VAPS) |
| 21 | 14536 | Bracket |
| 22 | N605798-S36 | Bolt |
| 23 | — | Mass Air Flow Sensor |
| 24 | 12697 | Intake Air Temperature Sensor |
| 25 | — | Oil Level Sensor |

REMOVAL AND INSTALLATION (Continued)

3.0L SHO



K14142-D

REMOVAL AND INSTALLATION (Continued)

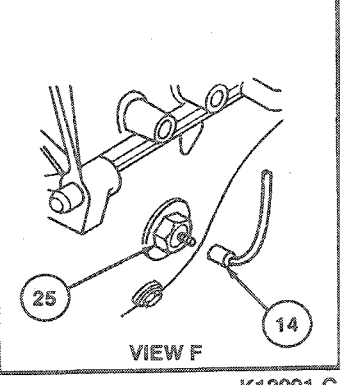
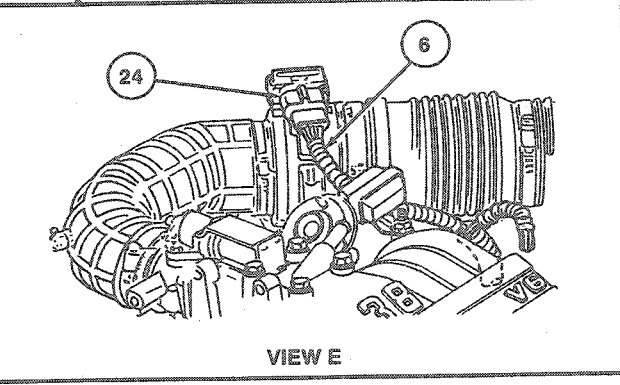
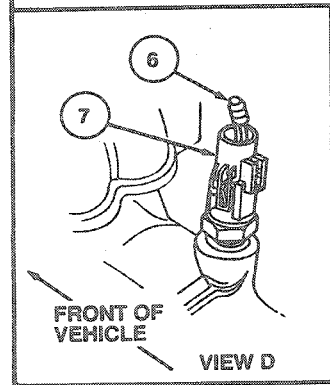
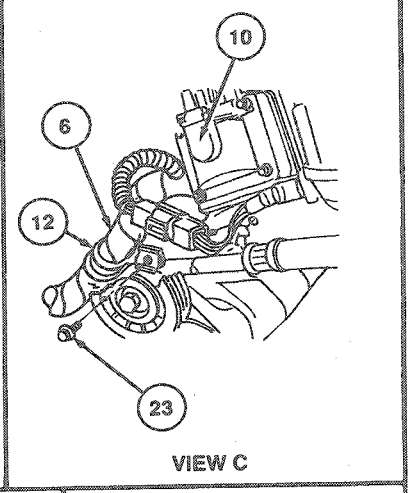
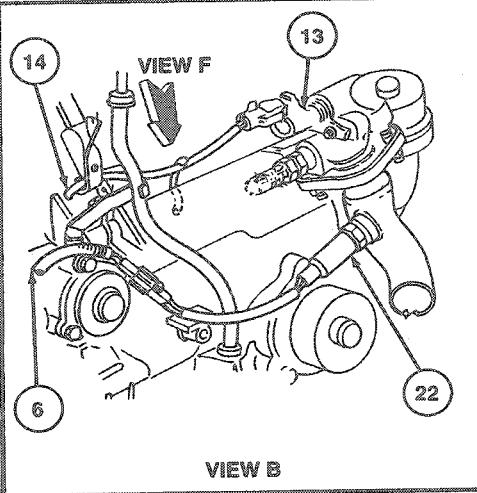
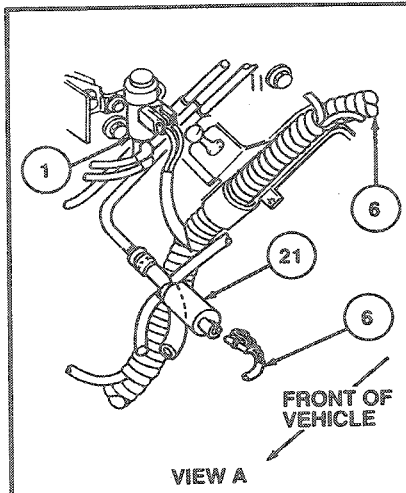
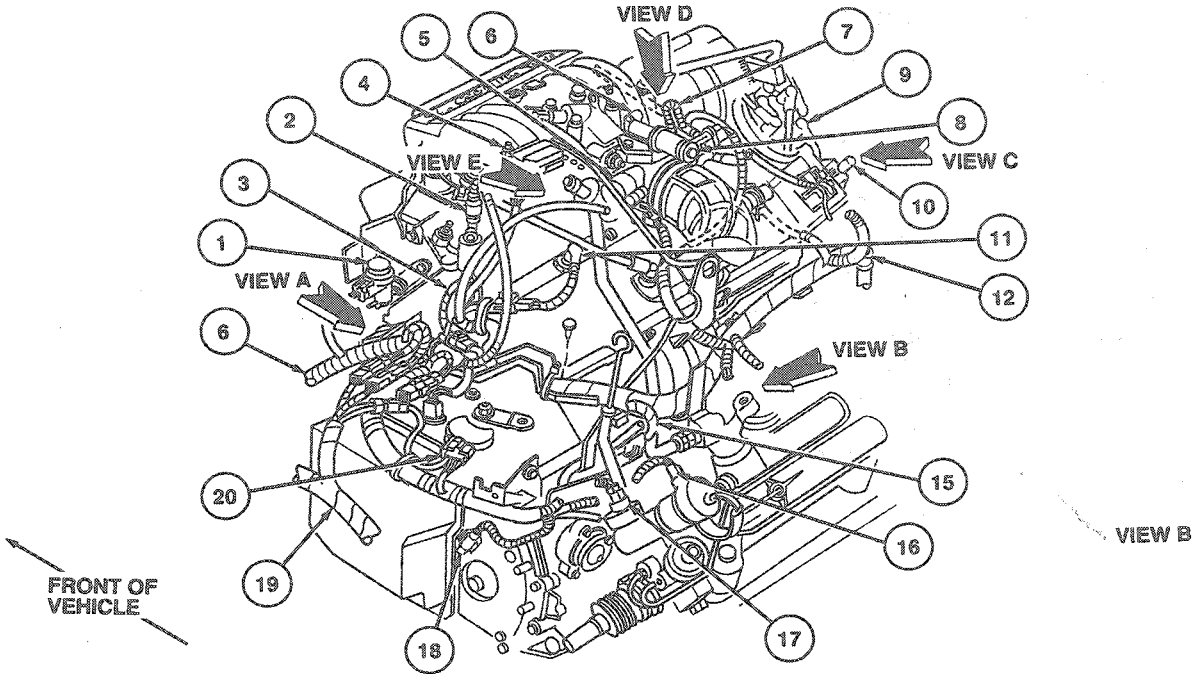
| Item | Part Number | Description |
|------|-------------|-----------------------------------|
| 1 | 12029 | Ignition Coil |
| 2 | 9B989 | Throttle Position Sensor |
| 3 | 12A648 | Engine Coolant Temperature Sensor |
| 4 | 9F715 | Idle Air Control Valve |
| 5 | 12A581 | Wiring Harness Assy |
| 6 | — | To Power Steering Pressure Switch |
| 7 | 9278 | Oil Pressure Sender |
| 8 | — | To Vehicle Speed Sensor |

(Continued)

| Item | Part Number | Description |
|------|-------------|------------------------------------|
| 9 | 14401 | Wiring Harness Assy |
| 10 | 15520 | Backup Lamp Switch |
| 11 | 14A099 | Shield |
| 12 | 18832 | Radio Noise Capacitor |
| 13 | 9D930 | Fuel Charging Wiring |
| 14 | 9J460 | Pressure Feedback EGR (PFE) Sensor |
| 15 | 6C624 | Low Oil Sensor |
| 16 | — | To Heated Oxygen Sensor |
| 17 | 14290 | Wiring Harness Assy |
| 18 | — | To A/C Compressor Clutch |

REMOVAL AND INSTALLATION (Continued)

3.8L Engine



K13991-C

REMOVAL AND INSTALLATION (Continued)

| Item | Part Number | Description |
|------|-------------|--|
| 1 | 9J459 | PFE Vacuum Regulator |
| 2 | 12A648 | Engine Coolant Sensor |
| 3 | 9D930 | Fuel Charging Wiring |
| 4 | 9J460 | Pressure Feedback EGR (PFE) Sensor |
| 5 | 9B989 | Throttle Position Sensor |
| 6 | 12A581 | Wiring Harness Assy |
| 7 | 12697 | Intake Air Temperature Sensor |
| 8 | 9F715 | Idle Air Control Valve |
| 9 | 12127 | Distributor Assy |
| 10 | 12029 | Coil and Bracket Assy |
| 11 | 12A648 | Coolant Temperature Sensor |
| 12 | — | Clamp, Part of 12A581 Wiring Harness Assy |

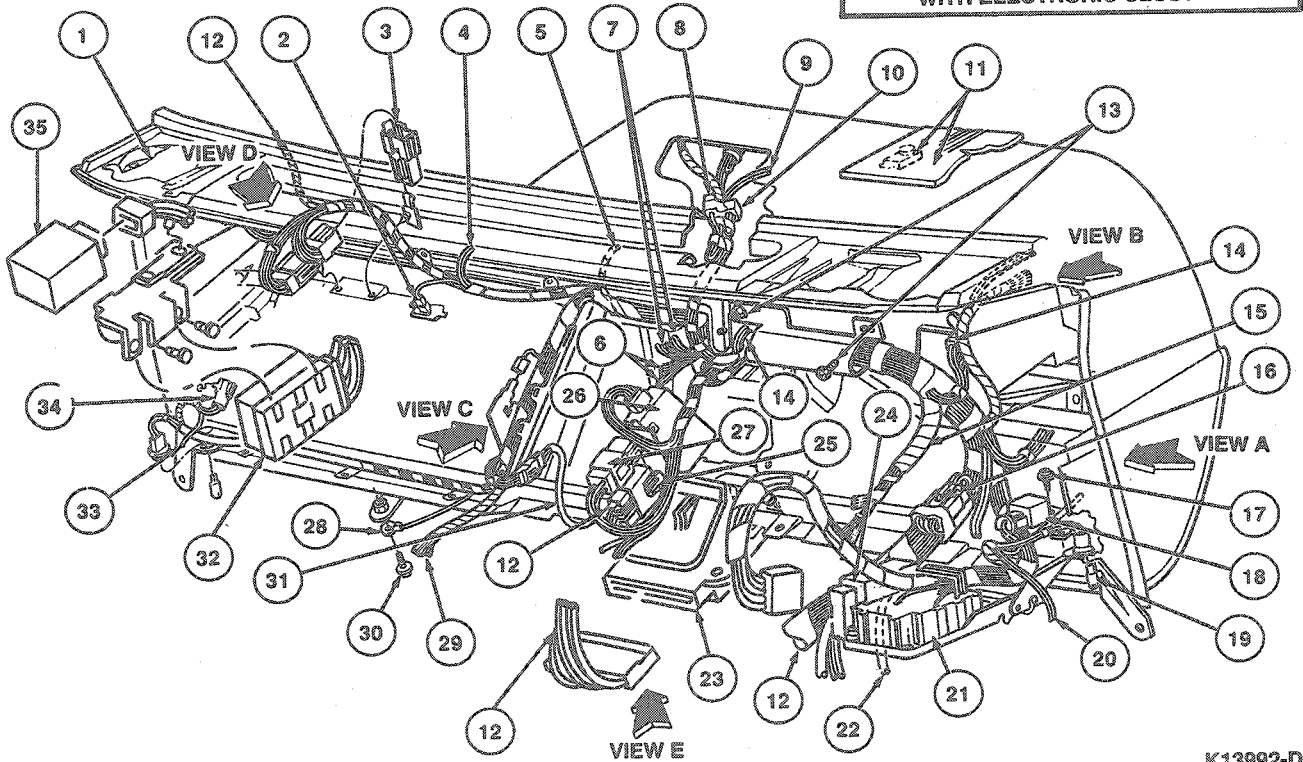
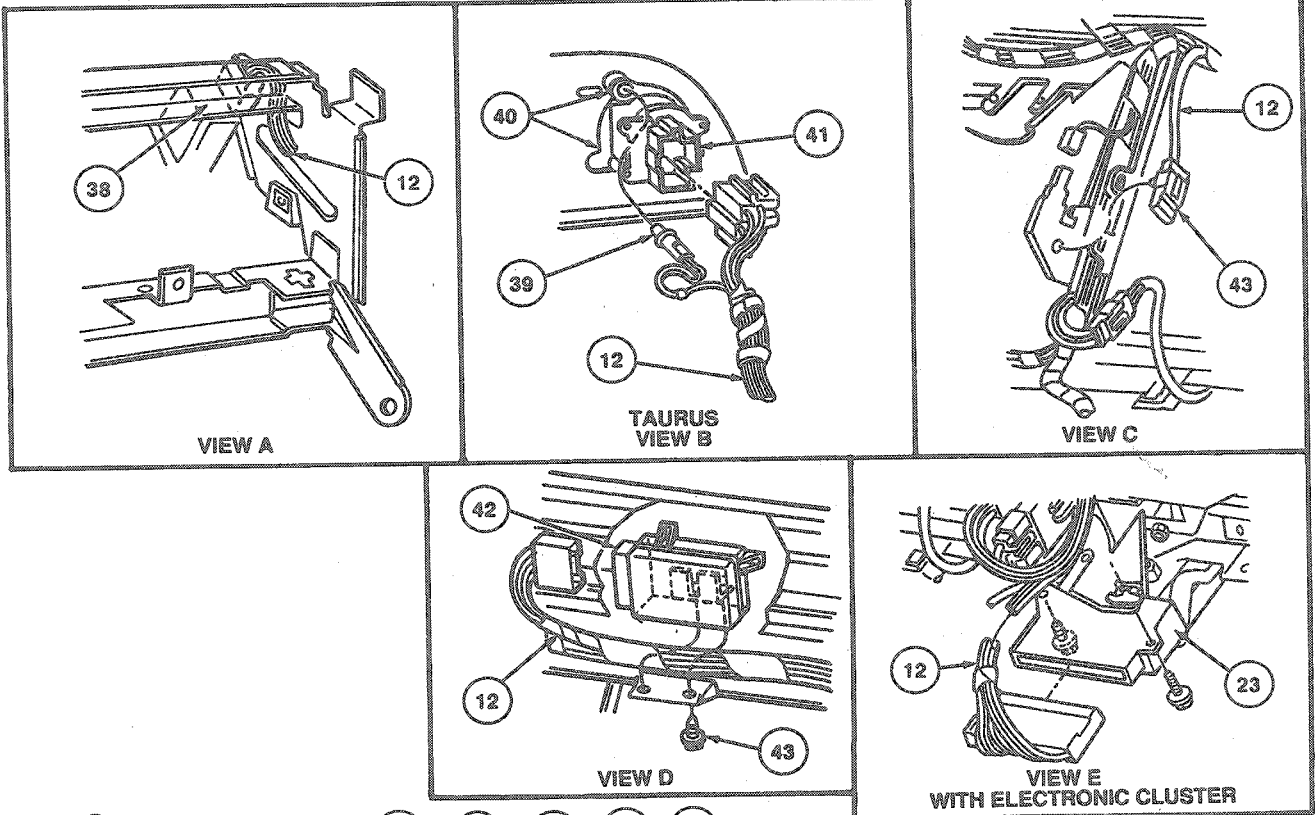
| Item | Part Number | Description |
|------|-------------|---|
| 13 | 9E731 | Vehicle Speed Sensor |
| 14 | 9D878 | Speed Sensor Wiring |
| 15 | — | To Heated Oxygen Sensor |
| 16 | — | To Variable Assist Power Steering Motor |
| 17 | 3N824 | Power Steering Pressure Sensor |
| 18 | 7M101 | Turbine Speed Sensor |
| 19 | 14401 | Wiring Harness Assy |
| 20 | 15520 | Neutral Start Switch |
| 21 | 9C915 | Fuel Vapor Canister Purge Regulator Valve |
| 22 | 9F472 | Heated Oxygen Sensor |
| 23 | N611057-S2 | Screw |
| 24 | 12860 | Mass Air Flow Sensor |
| 25 | 6C624 | Oil Level Sensor |

(Continued)

REMOVAL AND INSTALLATION (Continued)

Instrument Panel, Main

Taurus/Sable



K13992-D

REMOVAL AND INSTALLATION (Continued)

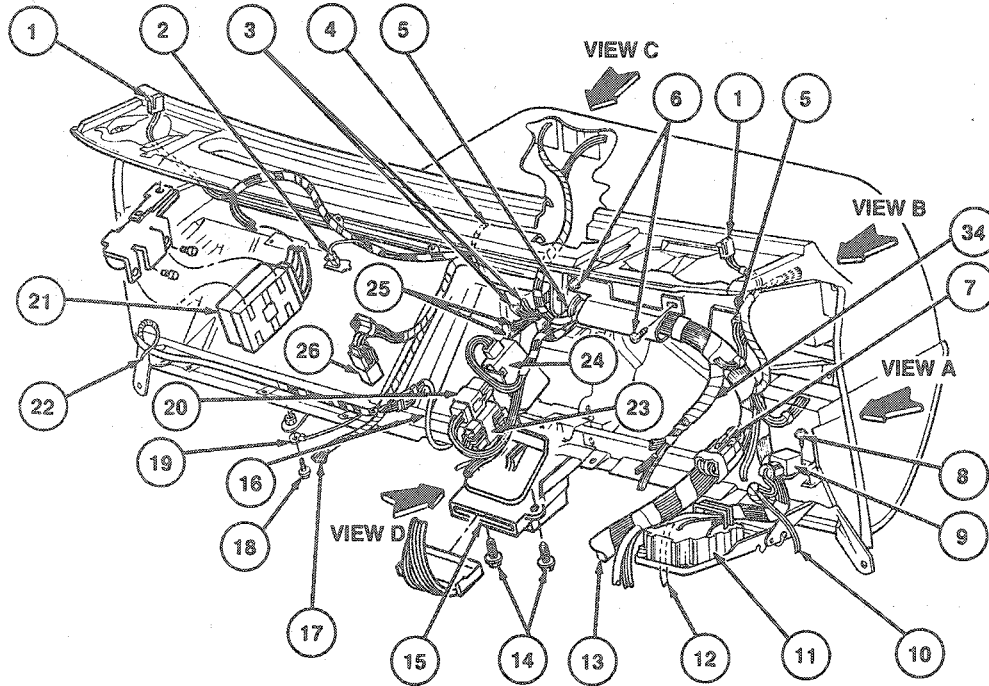
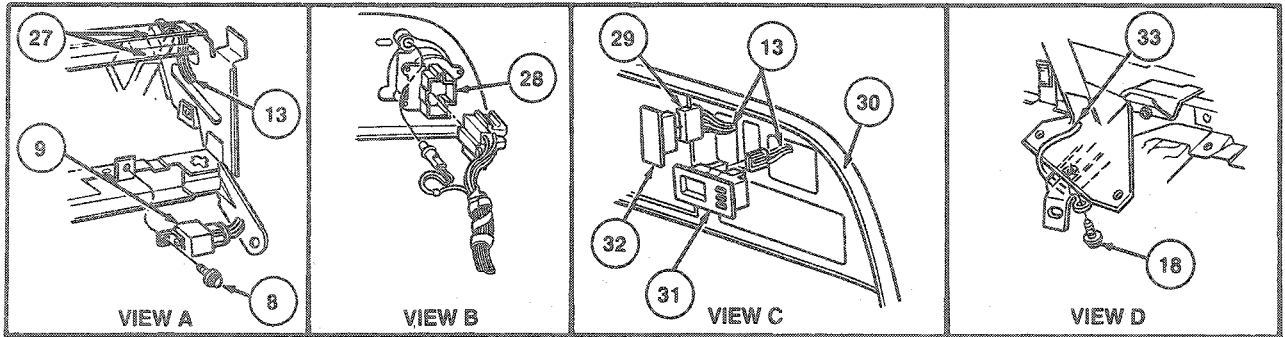
| Item | Part Number | Description |
|------|-------------|---|
| 1 | — | Speaker |
| 2 | 14413 | Glove Compartment Lamp |
| 3 | 14A459 | Sleeve Assy |
| 4 | — | To In Car Temperature Sensor |
| 5 | — | To A/C Heater Switch |
| 6 | — | To Radio |
| 7 | — | To Control Head |
| 8 | — | To Rear Wiper Washer Switch (Wagon Only) |
| 9 | — | To Fog Lamp Switch |
| 10 | — | To Power Antenna Switch |
| 11 | 19C734 | Sun Load Sensor and Grille |
| 12 | 14401 | Wiring Assy |
| 13 | N803875-S2 | Screw (2 Req'd) |
| 14 | — | To Cluster |
| 15 | — | To Steering Column |
| 16 | 14A320 | Wire Assy (With Autolamp) |
| 17 | N804234-S36 | Screw (2 Req'd) |
| 18 | 13350 | Flasher Assy |
| 19 | 13730 | Bulb Assy (2 Req'd) |
| 20 | — | To Parking Brake Switch |
| 21 | — | Fuse Panel, Part of 14401 Wiring Harness Assy |

(Continued)

| Item | Part Number | Description |
|------|---------------|--|
| 22 | — | To Stoplamp and Anti-Lock Brake Switches |
| 23 | 10D840 | Chime Assy |
| 24 | 10K910 | Lamp Outage Module (Non SHO) |
| 25 | 16C625 | Low Oil Indicator Assy |
| 26 | 17D539 | Wiper Control Module |
| 27 | 14N089 | Horn Relay |
| 28 | — | A/C Heater Ground |
| 29 | — | To Evaporator Assy |
| 30 | N805375-S36MG | Screw |
| 31 | — | To Ash Receptacle Wiring |
| 32 | 14B056 | Air Bag Diagnostic Module Monitor Assy |
| 33 | 19A170 | Wire Assy |
| 34 | 18850 | Power Antenna |
| 35 | 12B577 | Power Antenna Module |
| 36 | 13350 | Turn Signal Flasher |
| 37 | 14401 | Connector for Mechanical Cluster |
| 38 | 13A024 | Dimmer Switch |
| 39 | — | Passenger Air Bag Assy |
| 40 | 45A98 | Finish Panel |
| 41 | 11654 | Headlamp Switch |
| 42 | 10K910 | Lamp Outage Module |
| 43 | 14A459 | Retainer |
| 44 | — | Radio Ground |

REMOVAL AND INSTALLATION (Continued)

Police



K13995-B

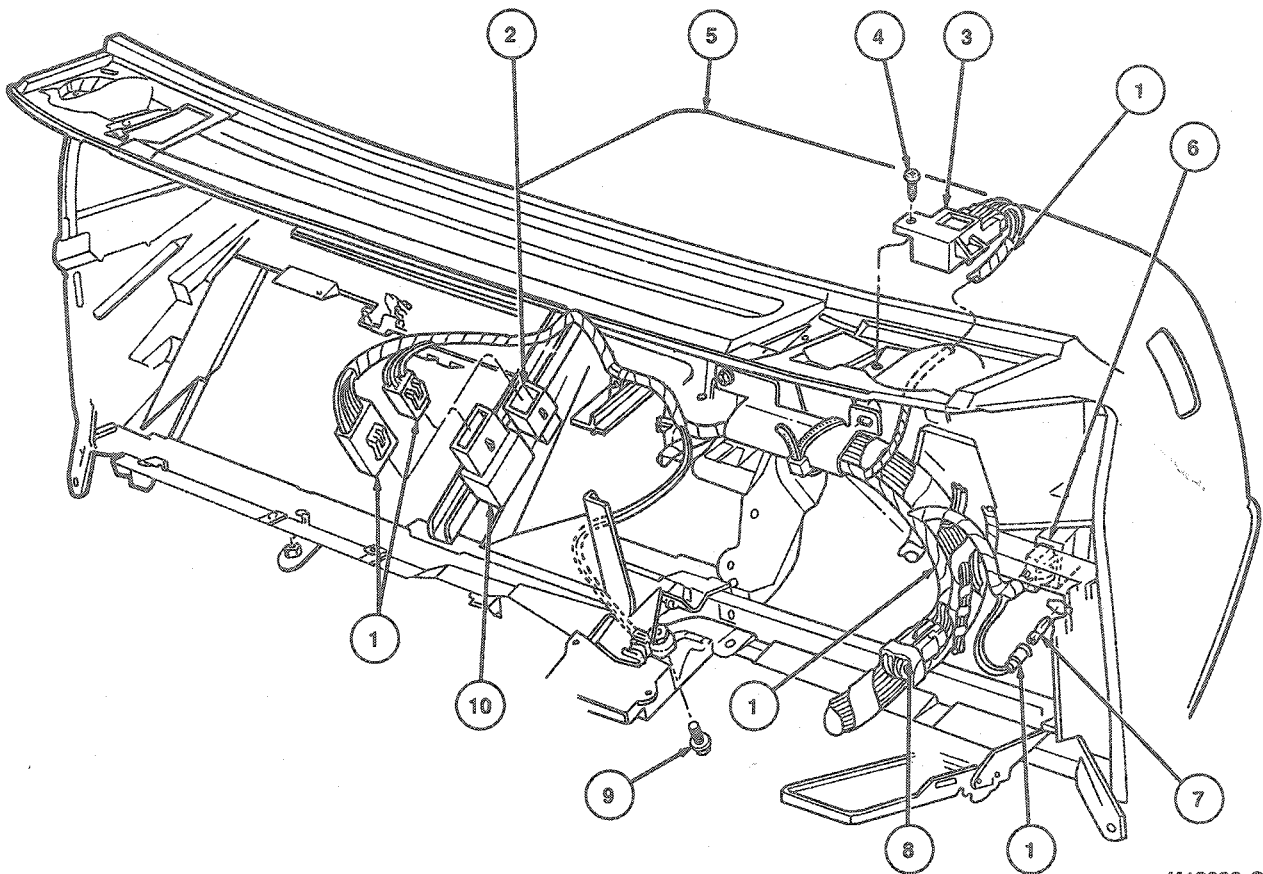
| Item | Part Number | Description |
|------|-------------|--|
| 1 | — | To Speaker |
| 2 | — | Glove Compartment Lamp |
| 3 | — | To A/C Control Head |
| 4 | — | To A/C Heater Switch |
| 5 | — | To Cluster |
| 6 | N803875-S2 | Screw (2 Req'd) |
| 7 | — | To Steering Column |
| 8 | 14A320 | Wiring Assy |
| 9 | N804234-S2 | Screw |
| 10 | 13350 | Flasher Assy |
| 11 | — | To Parking Brake Switch |
| 12 | — | Fuse Panel Part of 14401 |
| 13 | — | Wiring Harness Assy |
| 13 | — | To Stoplamp and Anti-Lock Brake Switch |
| 14 | 14401 | Wiring Assy |
| 15 | N803876-S2 | Screw (2 Req'd) |
| 16 | 10D840 | Chime Assy |

| Item | Part Number | Description |
|------|---------------|--|
| 17 | — | To Ash Receptacle Wiring |
| 18 | — | To Evaporator Assy |
| 19 | N803875-S36MG | Screw |
| 20 | — | A/C Heater Ground |
| 21 | 13A025 | Horn Relay |
| 22 | 14B056 | Air Bag Diagnostic Module Monitor Assy |
| 23 | 19A170 | Wiring Assy |
| 24 | — | To Low Oil Indicator Assy |
| 25 | — | To Wiper Control Module |
| 26 | — | To Radio |
| 27 | 13A025 | Horn Relay Assy |
| 28 | 13A024 | Dimmer Switch |
| 29 | 11654 | Headlamp Switch |
| 30 | — | To Rear Window Defroster |
| 31 | 45A98 | Finish Panel |
| 32 | 15000 | Clock |
| 33 | — | Cover (Standard Production) |
| 34 | — | Radio Ground |

(Continued)

REMOVAL AND INSTALLATION (Continued)

Auto Lamp / Auto Dimmer



K13993-C

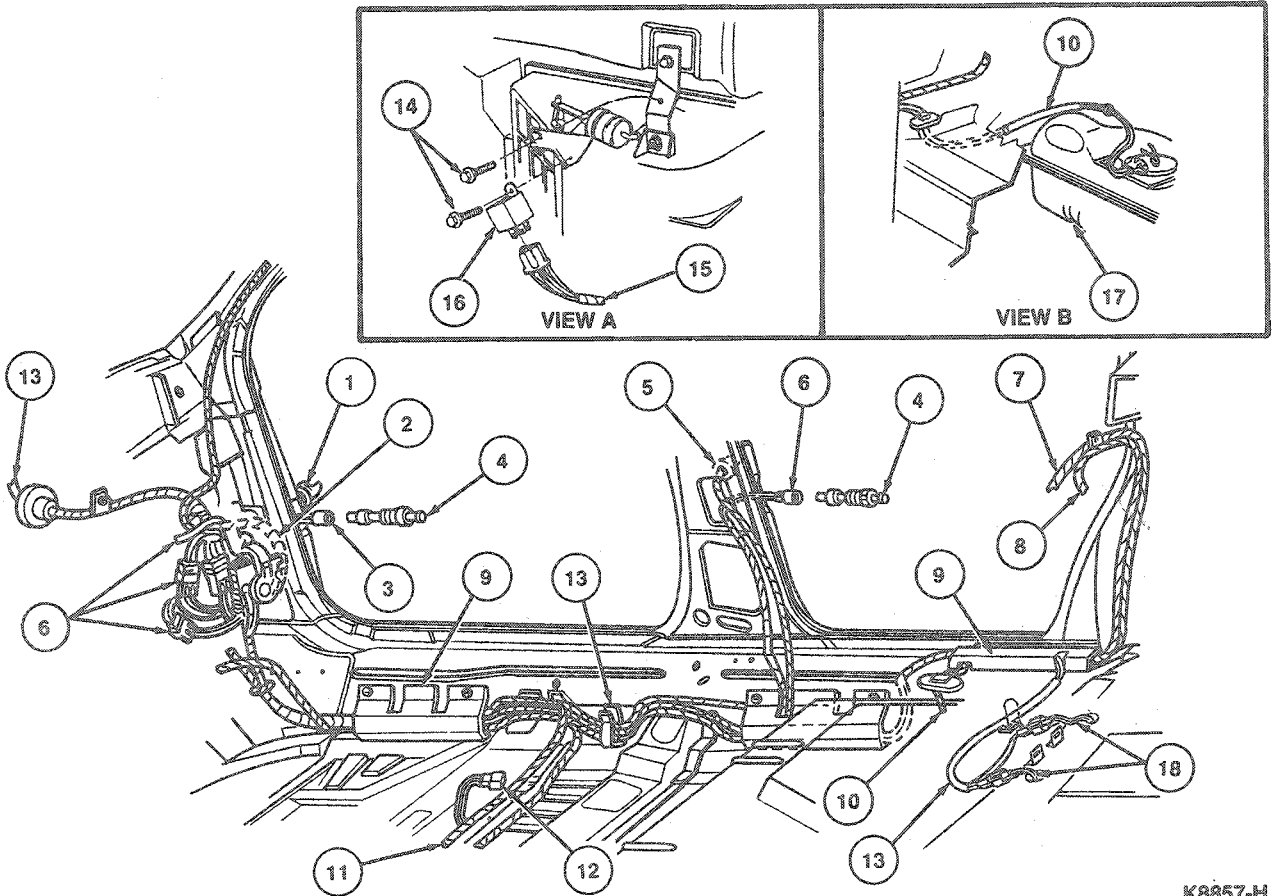
| Item | Part Number | Description |
|------|-------------|------------------------|
| 1 | 13A090 | Wiring Assy |
| 2 | 14B193 | Headlamp Dimmer Relay |
| 3 | 14A597 | Light Sensor Amplifier |
| 4 | N803876 | Screw |

(Continued)

| Item | Part Number | Description |
|------|---------------|------------------|
| 5 | 45A98 | Instrument Panel |
| 6 | 13736 | Autolamp Switch |
| 7 | 13465 | Bulb Assy |
| 8 | 14401 | Wiring Assy |
| 9 | N801846-S36MG | Screw |
| 10 | 14A672 | Autolamp Relay |

REMOVAL AND INSTALLATION (Continued)

Floorpan, RH



K8857-H

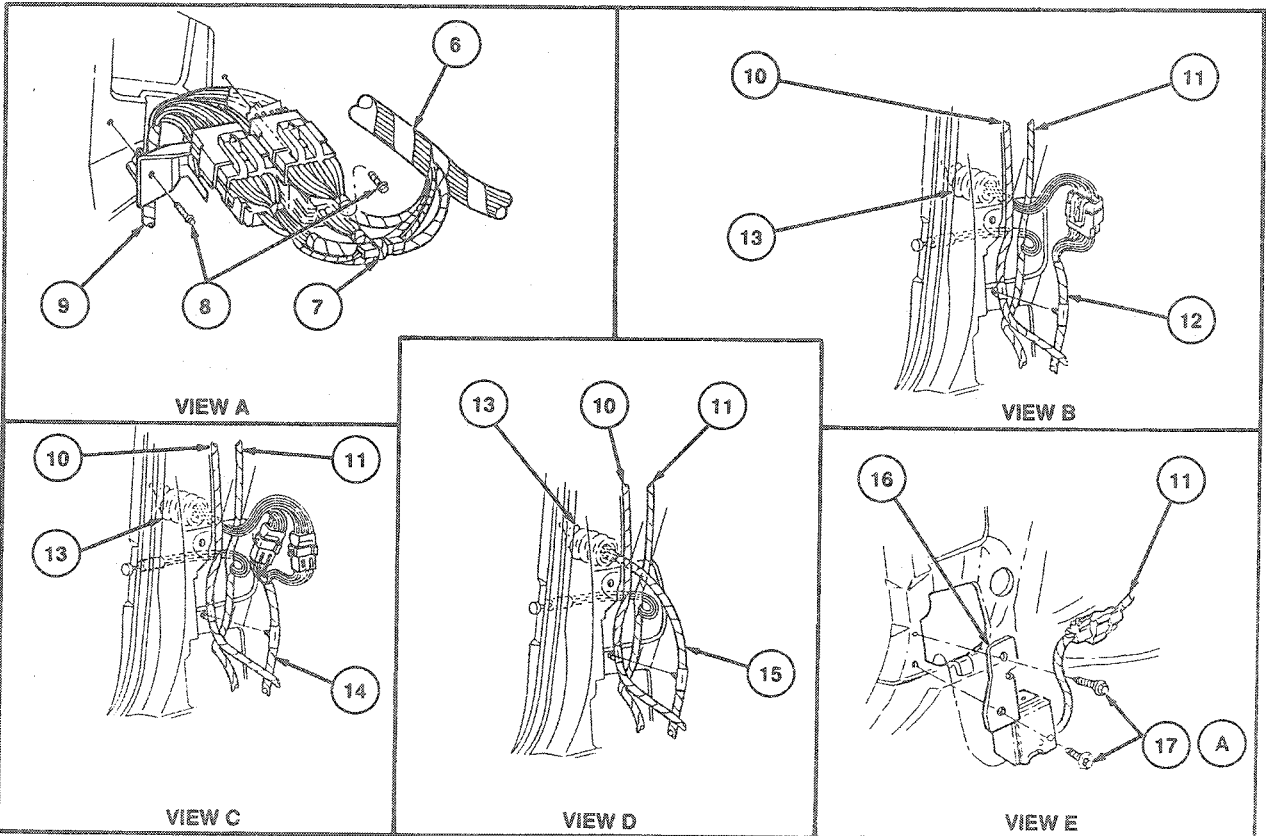
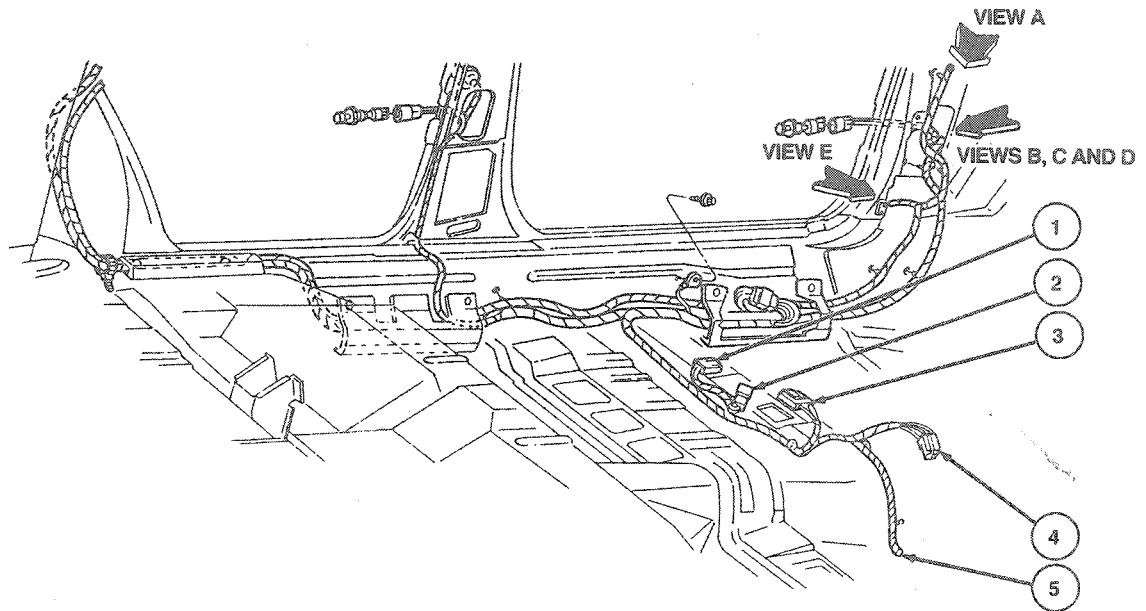
| Item | Part Number | Description |
|------|-------------|-----------------------------|
| 1 | 14630 | Wiring Assy |
| 2 | 15A657 | Roof Sliding Panel Control |
| 3 | 14405 | Wiring Assy |
| 4 | 13713 | Courtesy Lamp Switch |
| 5 | — | Wiring Assy To RH Rear Door |
| 6 | 14A488 | Wiring Assy |
| 7 | 19B113 | Wiring Assy |
| 8 | 2C055 | Wiring Harness Assy |
| 9 | — | Shield |

(Continued)

| Item | Part Number | Description |
|------|---------------|--|
| 10 | 14405 | Wiring Assy To Fuel Pump Sender |
| 11 | — | Wiring Assy To LH Floorpan |
| 12 | — | Wiring Assy To Seat Wiring |
| 13 | — | To Rear Brake Skid Control |
| 14 | N801846-S36MG | Screw |
| 15 | 15A657 | Wiring Assy |
| 16 | 15B683 | Moon Roof Motor Relay |
| 17 | 9002 | Fuel Tank |
| 18 | — | To LH, RH Rear Anti-Lock Wheel Sensors |

REMOVAL AND INSTALLATION (Continued)

Floorpan, LH



K8958-G

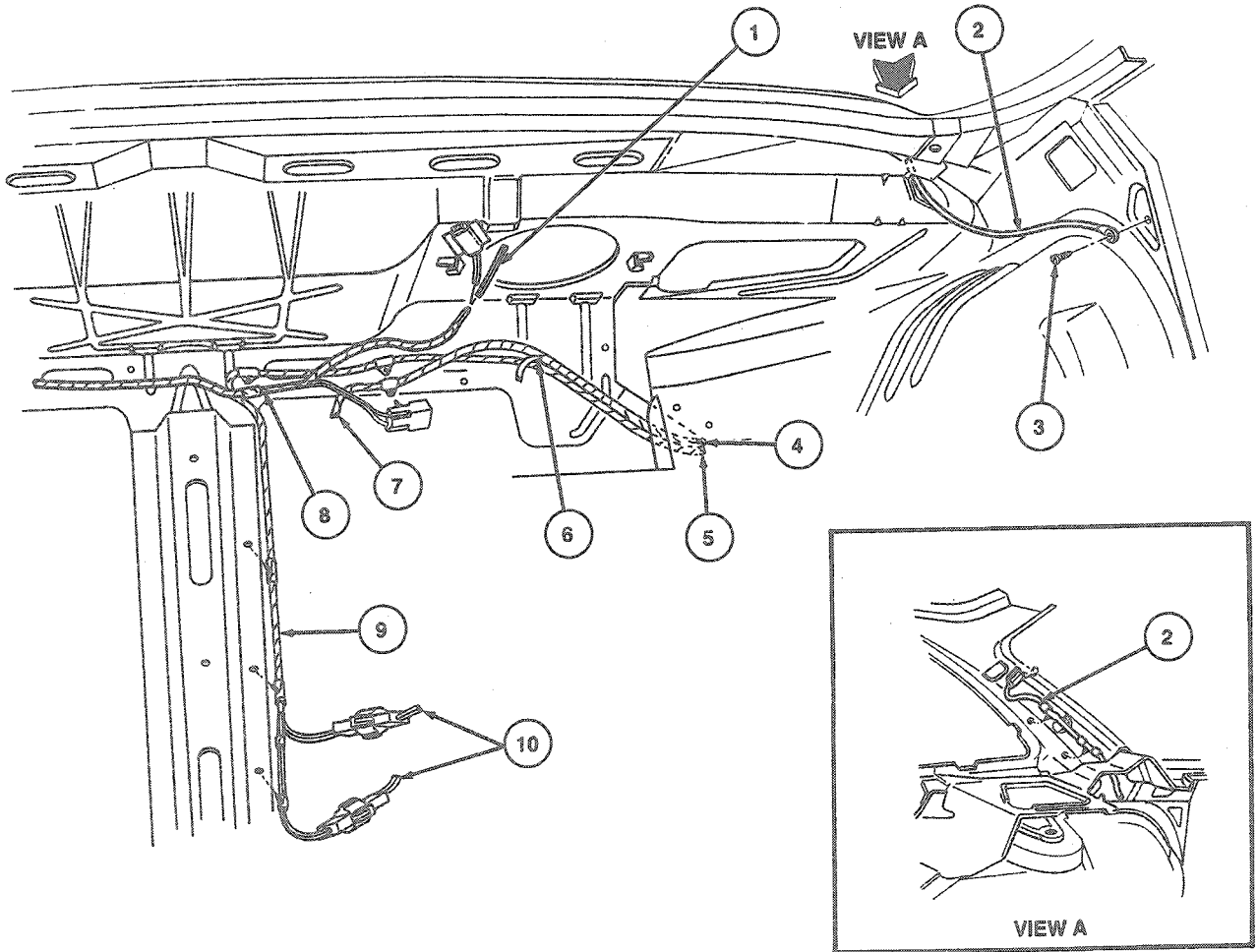
REMOVAL AND INSTALLATION (Continued)

| Item | Part Number | Description |
|------|-------------|----------------------|
| 1 | — | To Seat Switch |
| 2 | — | To Power Seat |
| 3 | — | To Safety Belt |
| 4 | — | To Console |
| 5 | 14A488 | Wiring Assy |
| 6 | 14401 | Wiring Assy |
| 7 | — | To Anti-Theft Wiring |
| 8 | N804690-S36 | Screw (2 Req'd) |
| 9 | — | To Rear Lamps |
| 10 | 17A409 | Wiring Assy |
| 11 | 14405 | Wiring Assy |

(Continued)

| Item | Part Number | Description |
|------|---------------|---|
| 12 | 14A488 | Wiring Assy Window Regulator Jumper with Power Mirror, Premium Sound and / or Curb Lamps and / or Moon Roof |
| 13 | 14631 | Wiring Assy Window Regulator |
| 14 | 14A468 | Wiring Assy Window Regulator Jumper Illuminated Entry and / or Power Locks |
| 15 | 14A488 | Wiring Assy without Illuminated Entry or Power Locks |
| 16 | 14B007 | Air Bag Sensor |
| 17A | N803953-S36MG | Screw |
| A | | Tighten to 4-5.6 N-m (36-49 Lb-In) |

Package Tray



K13994-B

REMOVAL AND INSTALLATION (Continued)

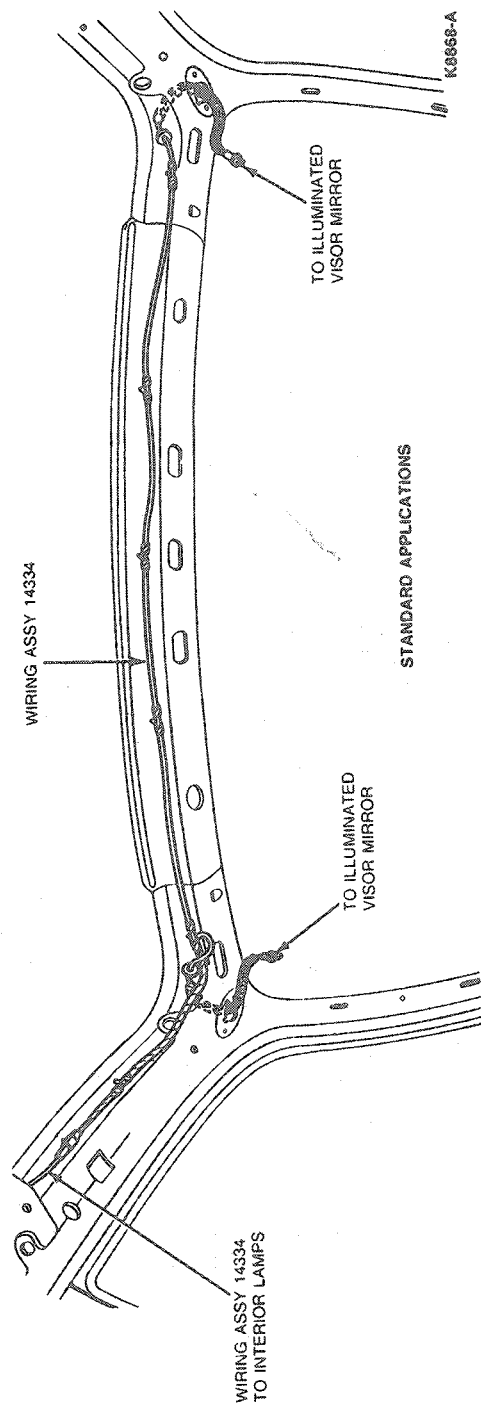
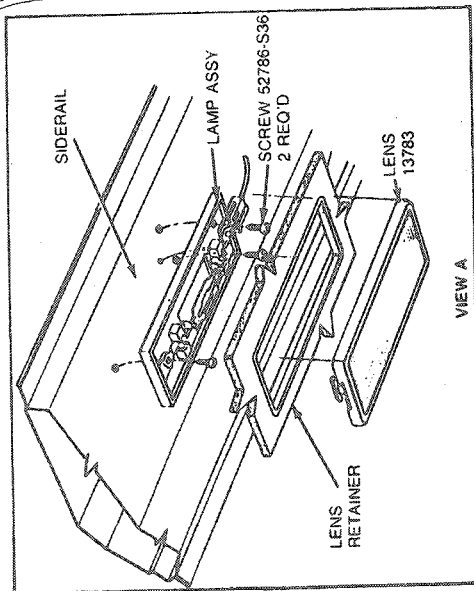
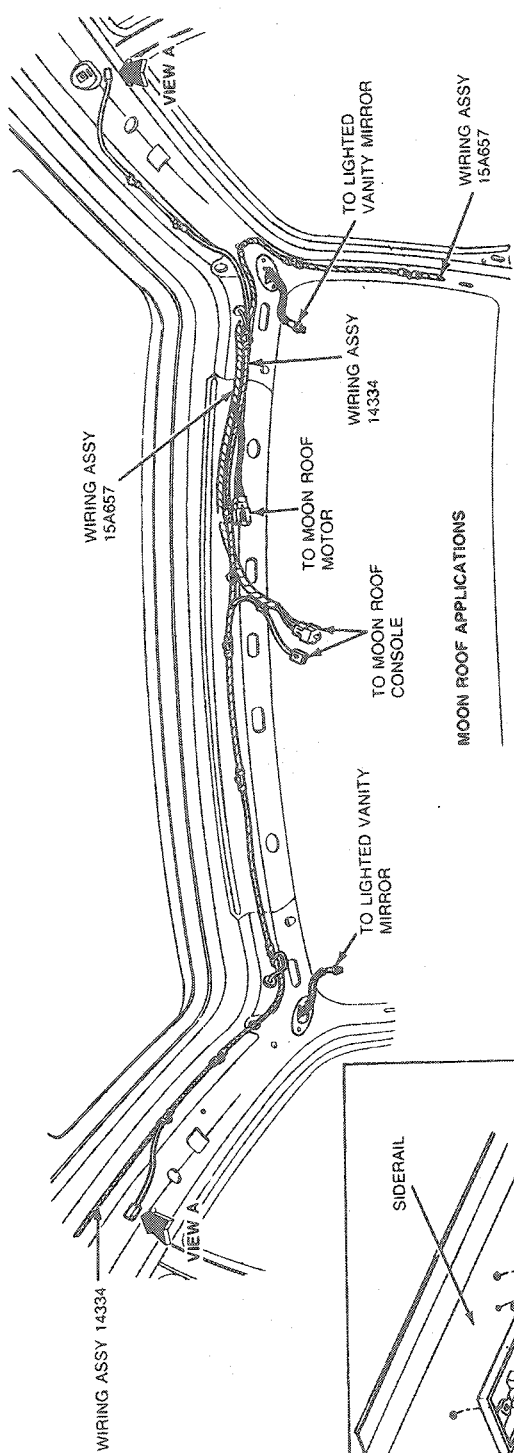
| Item | Part Number | Description |
|------|---------------|---------------------|
| 1 | — | To Rear Speaker |
| 2 | 18C620 | Wiring Harness Assy |
| 3 | N801846-S36MG | Screw |
| 4 | — | To Floorpan Wiring |

(Continued)

| Item | Part Number | Description |
|------|-------------|----------------------------|
| 5 | 2C055 | Wiring Harness Assy |
| 6 | 19B113 | Wiring Harness Assy |
| 7 | — | To Premium Sound Amplifier |
| 8 | 14405 | Wiring Harness Assy |
| 9 | 14290 | Wiring Harness Assy |
| 10 | — | To Anti-Lock Brake Sensors |

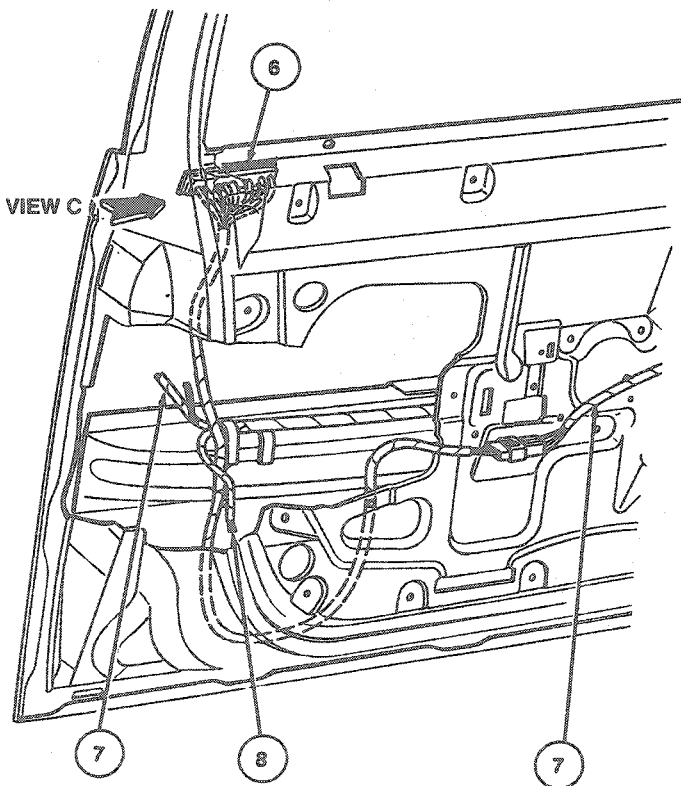
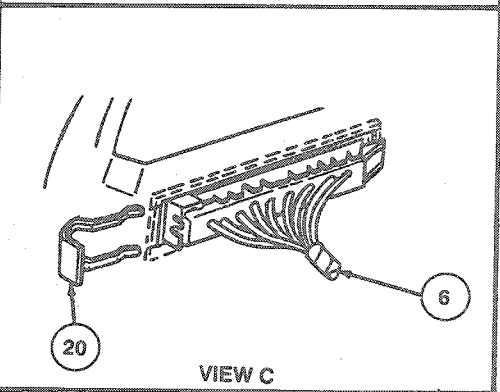
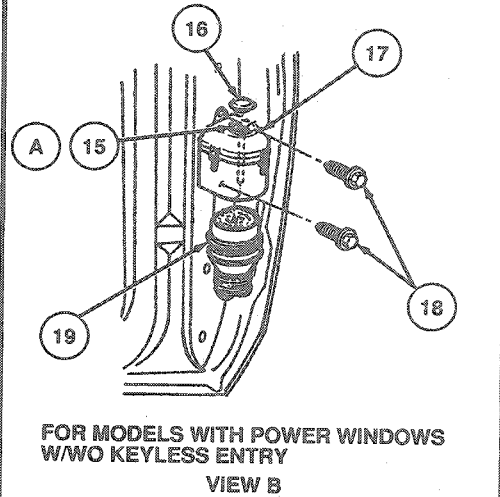
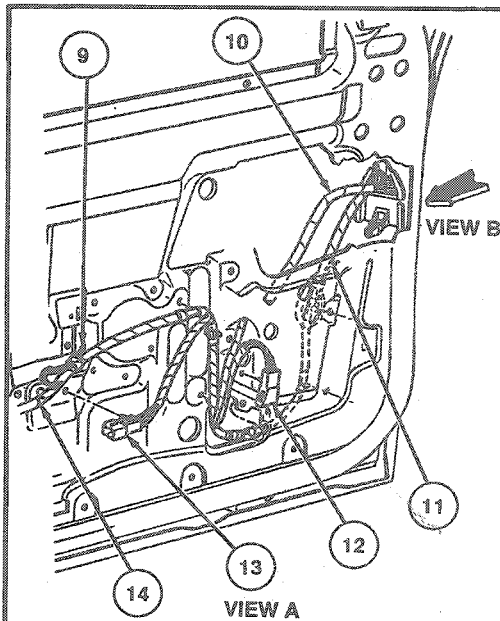
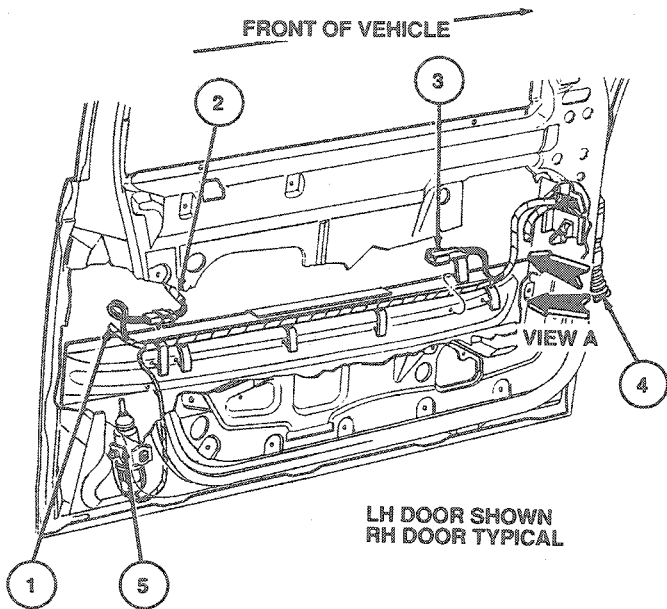
REMOVAL AND INSTALLATION (Continued)

Roof



REMOVAL AND INSTALLATION (Continued)

Door, Front



K8866-D

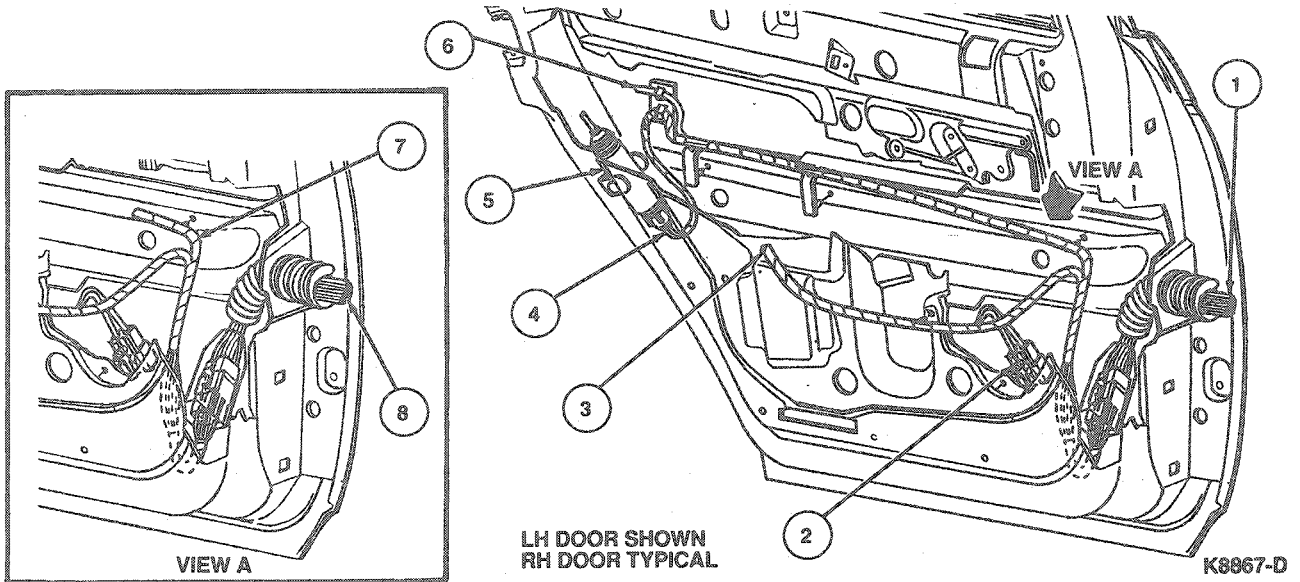
REMOVAL AND INSTALLATION (Continued)

| Item | Part Number | Description |
|------|----------------|---|
| 1 | — | To Illuminated Entry and Door Ajar Switch |
| 2 | — | To Lock Cylinder |
| 3 | — | To Power Mirror |
| 4 | 14630 11463 | Wiring Assy |
| 5 | — | Power Door Lock Actuator Motor |
| 6 | 14A626 | Keyless Entry Keypad |
| 7 | 14631 | Wiring Assy |
| 8 | — | To Door Lock Actuator Motor |
| 9 | 14631 | Wiring Assy to Courtesy Lamp |
| 10 | 14630 14631 | Wiring Assy Standard / Optional |

| Item | Part Number | Description |
|------|----------------|---|
| 11 | 14630 11463 | Wiring Assy to Door Speaker |
| 12 | 14630 | Wiring Assy to Power Window Regulator Motor |
| 13 | — | To Keyless Entry Keypad |
| 14 | — | To Power Mirror Switch Assy |
| 15A | — | Screw |
| 16 | 14A666 | Cap |
| 17 | 14631 | Wiring Assy Connector |
| 18 | 801164-S43 | Screw (2 Req'd) |
| 19 | 14A488 | Wiring Assy to Floorpan Wiring |
| 20 | 14A667 | Retainer Clip |
| A | | Tighten to 4.1-5.4 N-m (37-47 Lb-In) |

(Continued)

Door, Rear



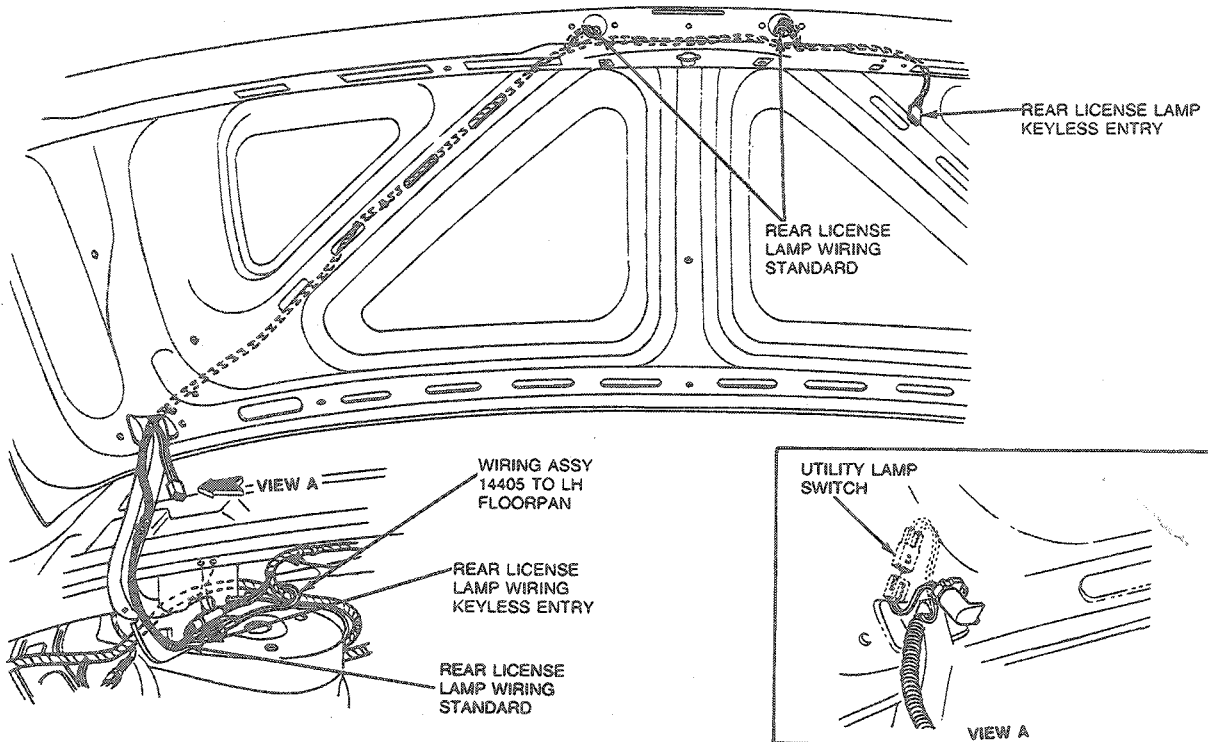
| Item | Part Number | Description |
|------|----------------|---|
| 1 | 14A488 | Wiring Assy To LH Floorpan |
| 2 | 14632 14633 | Wiring Assy To Power Window Regulator Motor |
| 3 | 14632 14633 | Wiring Assy To Power Window Switch Assy |
| 4 | 14026 | Wiring Assy |

| Item | Part Number | Description |
|------|-------------|---|
| 5 | 14A626 | Lock Actuator |
| 6 | — | To Door Ajar Switch |
| 7 | 14632 | Wiring Assy with Power Windows-With and W / Out Locks and Door Ajar |
| 8 | 14A488 | Wiring Assy Window Regulator Jumper |

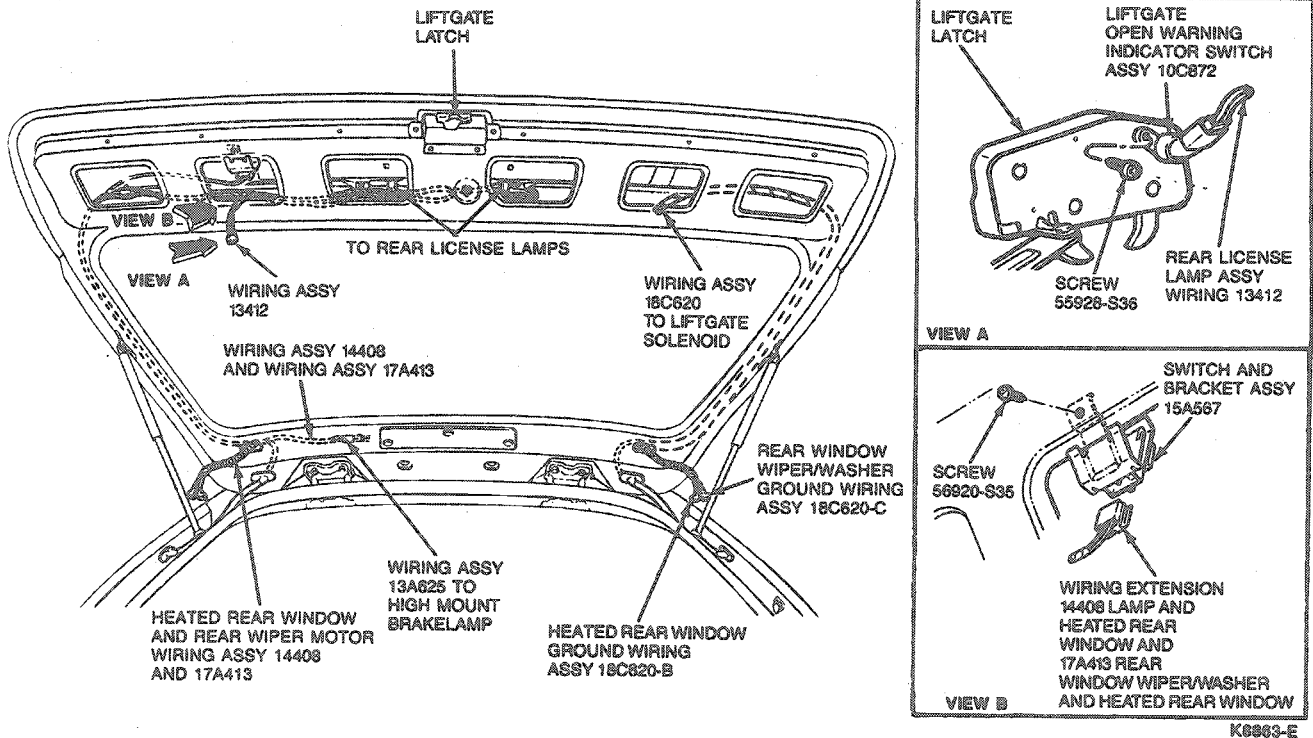
(Continued)

REMOVAL AND INSTALLATION (Continued)

Deck Lid



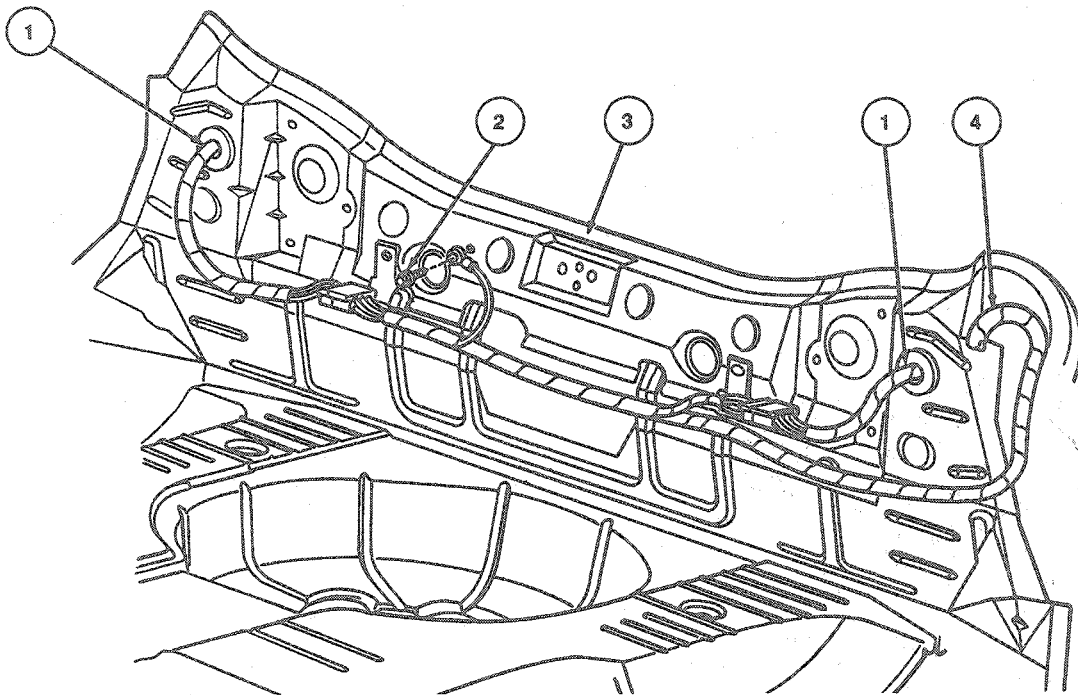
Liftgate



REMOVAL AND INSTALLATION (Continued)

Lower Back Panel—Sedan

Taurus

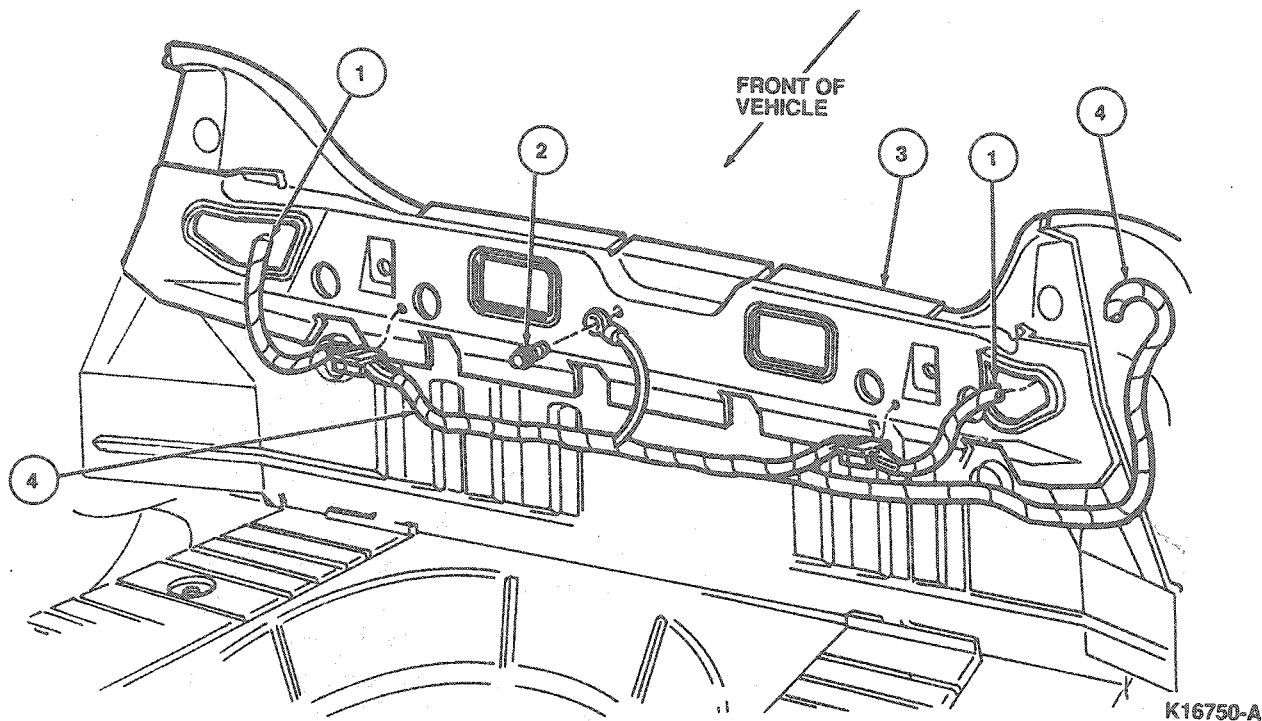


K16749-A

| Item | Part Number | Description |
|------|-------------|---------------------------|
| 1 | 13407 | Wiring Assy to Rear Lamps |
| 2 | N801846 | Screw |
| 3 | — | Lower Back Panel |
| 4 | 14405 | Wiring Assy |

REMOVAL AND INSTALLATION (Continued)

Sable



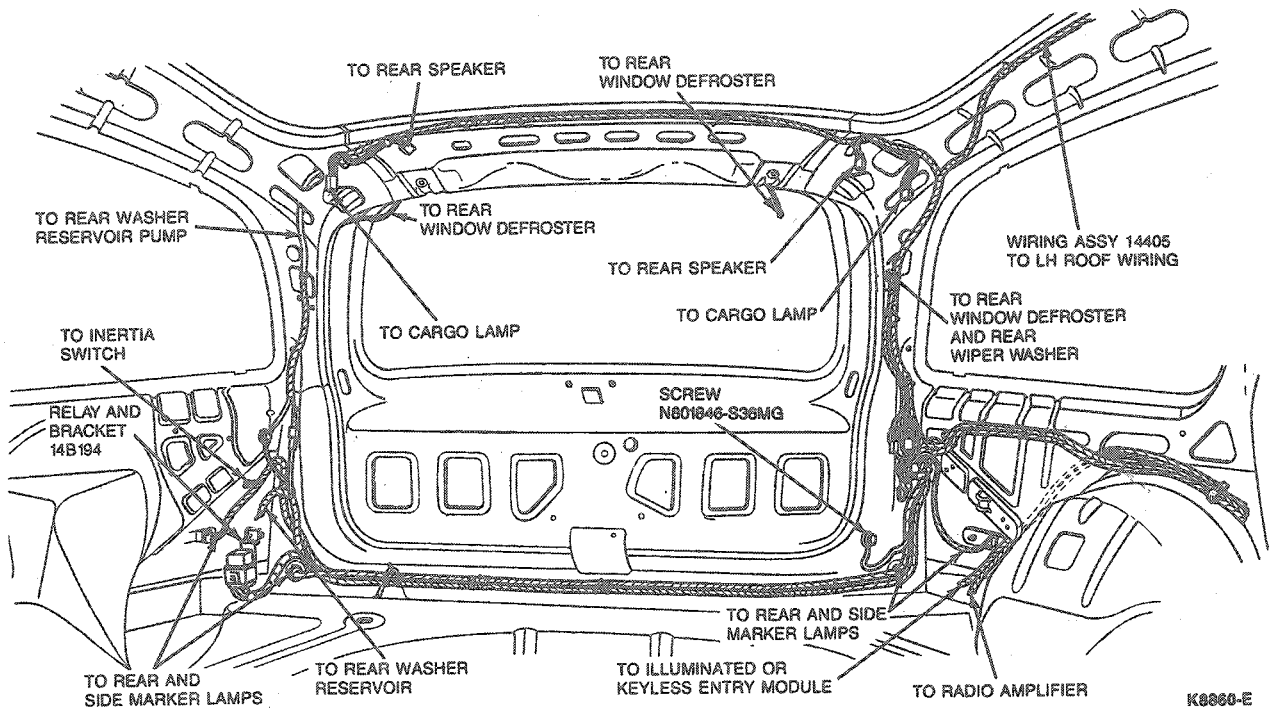
K16750-A

| Item | Part Number | Description |
|------|-------------|---------------------------|
| 1 | 13407 | Wiring Assy to Rear Lamps |
| 2 | N801846 | Screw |
| 3 | — | Lower Back Panel |
| 4 | 14405 | Wiring Assy |

REMOVAL AND INSTALLATION (Continued)

Rear Quarter Back Panel

Wagon




K8860-E

SPECIFICATIONS

TORQUE SPECIFICATIONS

| DESCRIPTION | N-m | Lb-in |
|---------------------------------------|-----------|---------------|
| Dropping Resistor Mounting Screw | 5.2-6.7 | 47-59 |
| Air Bag Sensor Mounting Screw | 4-5.6 | 36-49 |
| Power Distribution Box Mounting Screw | 3.6-4.1 | 32-36 |
| Wiring Assembly Connector Screw | 4.1-5.4 | 37-47 |
| Connector Retaining Bolt | 1.4-2 | 12-18 |
| Ground Screw | 3.4-4.8 | 30-42 |
| Connector Retaining Bolt | 5.2-7.2 | 46-64 |
| Bracket Mounting Screw | 7.6-10.4 | 6-8 (Lb-Ft) |
| Bracket Mounting Nut | 29.7-40.3 | 22-30 (Lb-Ft) |
| Fuse Panel Retaining Screws | 2.1-2.9 | 19-26 (Lb-Ft) |

SPECIAL SERVICE TOOLS

| Tool Number / Description | Illustration |
|--|---|
| T67S-17018-A Wire Fitting Crimping Tool |  T67S-17018-A |

SECTION 18-04 Electrical Devices—Miscellaneous

| SUBJECT | PAGE | SUBJECT | PAGE |
|--|---------|------------------------------------|---------|
| DESCRIPTION AND OPERATION | 18-04-1 | REMOVAL AND INSTALLATION (Cont'd.) | |
| DIAGNOSIS | 18-04-1 | Cigar Lighter..... | 18-04-2 |
| REMOVAL AND INSTALLATION | | VEHICLE APPLICATION | 18-04-1 |
| Ash Receptacle and Retainer Assembly | 18-04-1 | | |

VEHICLE APPLICATION

Taurus / Sable.

DESCRIPTION AND OPERATION

The cigar lighter element has a low resistance heating coil which operates similar to the coil used in a portable heater.

When the element is pushed completely in, the circuit is closed and current flows through the heating coil to the ground. When sufficient heat is generated, the element will overcome the spring pressure of the bimetal retaining fingers and be released.

The ash receptacles are located in the center of the instrument panel and in the rear armrests. The cigar lighter is located in the front ash receptacle.

DIAGNOSIS

Refer to the diagnosis chart for cigar lighter diagnosis.

CIGAR LIGHTER INOPERATIVE

| TEST STEP | | RESULT | ACTION TO TAKE |
|-----------|---|-----------|---|
| A1 | INSPECT LIGHTER | | |
| | <ul style="list-style-type: none"> ● Inspect lighter for burned out coil or other physical damage. ● Is lighter OK? | Yes No | GO to A2. REPLACE element or socket as required. |
| A2 | CHECK FOR VOLTAGE | | |
| | <ul style="list-style-type: none"> ● Using a voltmeter check for voltage at feed wire. ● Is there voltage? | Yes No | SERVICE ground circuit as required. CHECK feed circuit for an open or blown fuse. REPLACE or SERVICE as required. |

TK5490C

REMOVAL AND INSTALLATION

Ash Receptacle and Retainer Assembly

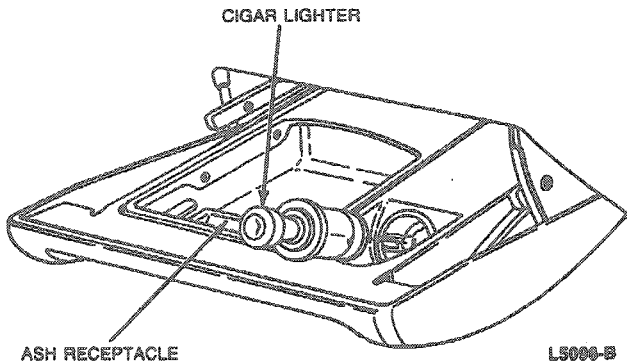
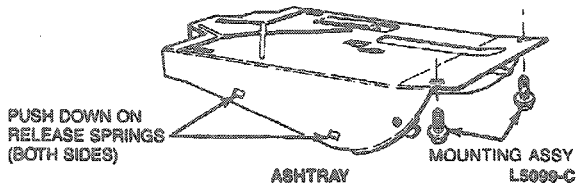
Instrument Panel Mounted

Removal and Installation

1. To remove ash receptacle, push up on receptacle through opening in bottom of retainer housing.
2. To remove ash receptacle retainer, depress spring stops on both sides with screwdriver and pull retainer out. Disconnect lamp and lighter wiring.
3. To remove ash receptacle track assembly, remove ash receptacle, receptacle retainer, and coin tray / cupholder (refer to Section 01-12) or CD player (refer to Section 15-01). Remove two retaining screws and two nuts.

REMOVAL AND INSTALLATION (Continued)

4. Disconnect wiring harness.
5. To install, reverse Removal procedure.

**Rear Seat****Removal and Installation**

1. Remove ash receptacle by depressing spring stop and pulling receptacle up and out.

2. To remove ash receptacle retainer, remove ash receptacle, and four screws retaining receptacle retainer to trim panel and remove retainer. Remove wiring harness.
3. To install, reverse Removal procedure.

Cigar Lighter**Instrument Panel****Removal**

1. Disconnect battery ground cable.
2. Remove cigar lighter knob and element assembly.
3. Remove cigar lighter lead wire. Remove ash receptacle, if necessary, and ground wire, if so equipped.
4. Remove cigar lighter socket retainer and remove socket.

Installation

1. Install cigar lighter socket retainer and tighten.
2. Install cigar lighter lead and ground wire, if so equipped.
3. Install ash receptacle, if removed.
4. Install cigar lighter knob and element assembly.
5. Connect battery ground cable and test cigar lighter for proper operation.