

SECTION 18-04 Electrical Devices—Miscellaneous

SUBJECT	PAGE	SUBJECT	PAGE
DESCRIPTION AND OPERATION	18-04-1	REMOVAL AND INSTALLATION (Cont'd.)	
DIAGNOSIS	18-04-1	Cigar Lighter.....	18-04-2
REMOVAL AND INSTALLATION		VEHICLE APPLICATION	18-04-1
Ash Receptacle and Retainer Assembly	18-04-1		

VEHICLE APPLICATION

Taurus / Sable.

DESCRIPTION AND OPERATION

The cigar lighter element has a low resistance heating coil which operates similar to the coil used in a portable heater.

When the element is pushed completely in, the circuit is closed and current flows through the heating coil to the ground. When sufficient heat is generated, the element will overcome the spring pressure of the bimetal retaining fingers and be released.

The ash receptacles are located in the center of the instrument panel and in the rear armrests. The cigar lighter is located in the front ash receptacle.

DIAGNOSIS

Refer to the diagnosis chart for cigar lighter diagnosis.

CIGAR LIGHTER INOPERATIVE

TEST STEP		RESULT	ACTION TO TAKE
A1	INSPECT LIGHTER		
	<ul style="list-style-type: none"> ● Inspect lighter for burned out coil or other physical damage. ● Is lighter OK? 	Yes No	GO to A2. REPLACE element or socket as required.
A2	CHECK FOR VOLTAGE		
	<ul style="list-style-type: none"> ● Using a voltmeter check for voltage at feed wire. ● Is there voltage? 	Yes No	SERVICE ground circuit as required. CHECK feed circuit for an open or blown fuse. REPLACE or SERVICE as required.

TK5490C

REMOVAL AND INSTALLATION

Ash Receptacle and Retainer Assembly

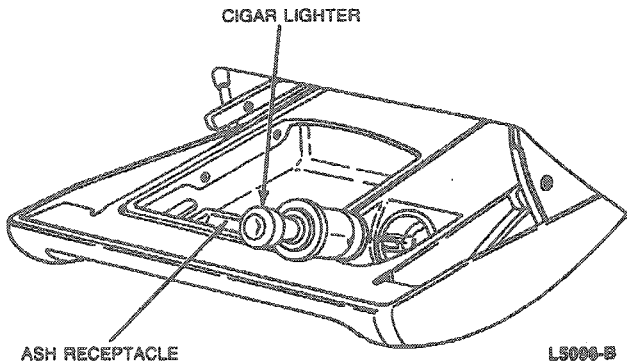
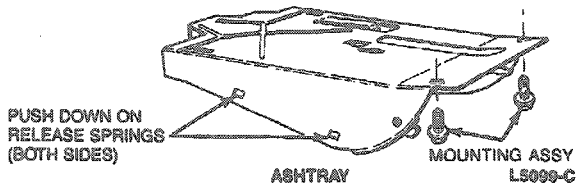
Instrument Panel Mounted

Removal and Installation

1. To remove ash receptacle, push up on receptacle through opening in bottom of retainer housing.
2. To remove ash receptacle retainer, depress spring stops on both sides with screwdriver and pull retainer out. Disconnect lamp and lighter wiring.
3. To remove ash receptacle track assembly, remove ash receptacle, receptacle retainer, and coin tray / cupholder (refer to Section 01-12) or CD player (refer to Section 15-01). Remove two retaining screws and two nuts.

REMOVAL AND INSTALLATION (Continued)

4. Disconnect wiring harness.
5. To install, reverse Removal procedure.

**Rear Seat****Removal and Installation**

1. Remove ash receptacle by depressing spring stop and pulling receptacle up and out.

2. To remove ash receptacle retainer, remove ash receptacle, and four screws retaining receptacle retainer to trim panel and remove retainer. Remove wiring harness.
3. To install, reverse Removal procedure.

Cigar Lighter**Instrument Panel****Removal**

1. Disconnect battery ground cable.
2. Remove cigar lighter knob and element assembly.
3. Remove cigar lighter lead wire. Remove ash receptacle, if necessary, and ground wire, if so equipped.
4. Remove cigar lighter socket retainer and remove socket.

Installation

1. Install cigar lighter socket retainer and tighten.
2. Install cigar lighter lead and ground wire, if so equipped.
3. Install ash receptacle, if removed.
4. Install cigar lighter knob and element assembly.
5. Connect battery ground cable and test cigar lighter for proper operation.