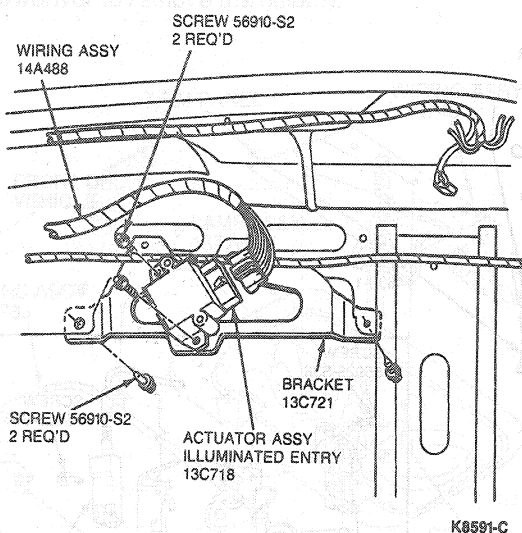


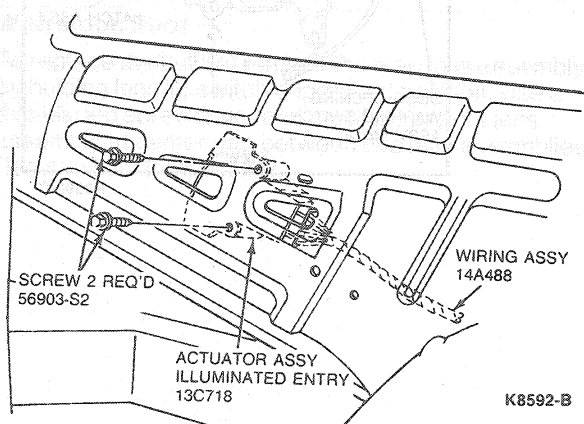
## REMOVAL AND INSTALLATION (Continued)

## Actuator Module

## Sedan



## Wagon



## Removal

1. Disconnect battery ground cable.
2. Open door.
3. Using a deep well socket, remove switch from door pillar.  
NOTE: Hold connector so it cannot slip back into A-pillar.
4. Disengage electrical connector.

## Installation

1. Engage electrical connector to switch and twist wiring and switch four turns counterclockwise.
2. Install switch in door pillar. Tighten to 14-19 N-m (11-14 lb-ft).
3. Connect battery ground cable.
4. Check operation of switch.

## Lamp, Transmission Control Selector

## Floor Mounted

## Removal and Installation

1. Remove four retaining screws from selector lever cover and dial indicator on floor.
2. Lift lever cover assembly and replace bulb.
3. Position cover to floor. Install four cover retaining screws.

## Console Mounted

## Removal and Installation

1. Remove finish panel from the console.
2. Remove quadrant bezel.
3. Position selector lever in first position (LOW) and remove lamp socket and bulb from its retainer.
4. Replace bulb and install socket in retainer.
5. Install quadrant bezel.
6. Position finish panel and install retaining screws.

## Lamp Switch, Courtesy / Dome

Refer to the illustrations under Description and Operation.

**CAUTION:** Retention of courtesy lamp switch to the wiring connector is by one of three tabs positioned 120 degrees apart on the switch. If, when the switch is disconnected from the wiring connector, the engaged locking tab breaks off, the switch must be rotated 120 degrees to engage a new tab. When all three tabs have been broken, replace the switch.

## Lamp Switch, Glove Compartment

## Removal and Installation

1. Remove one screw retaining lamp assembly and door striker.
2. Disconnect electrical connector.