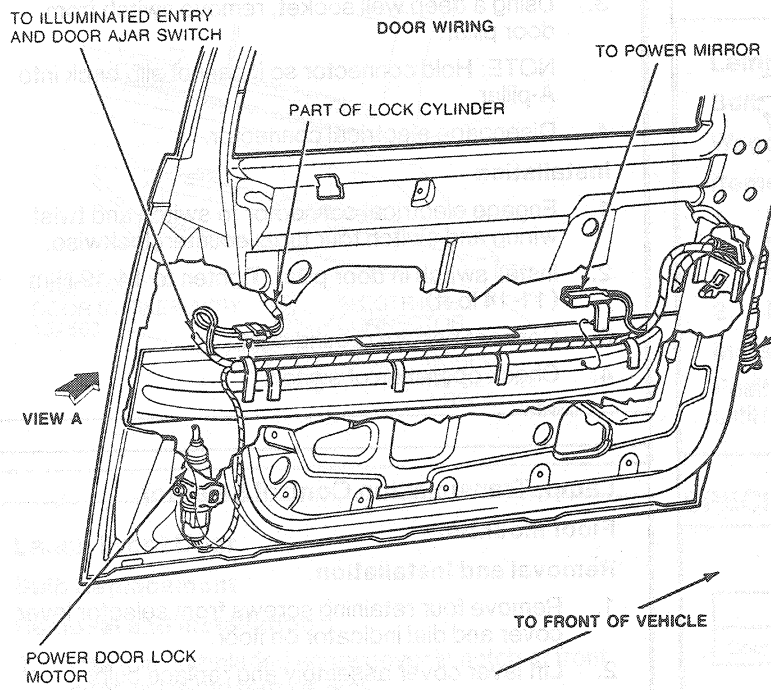


REMOVAL AND INSTALLATION (Continued)

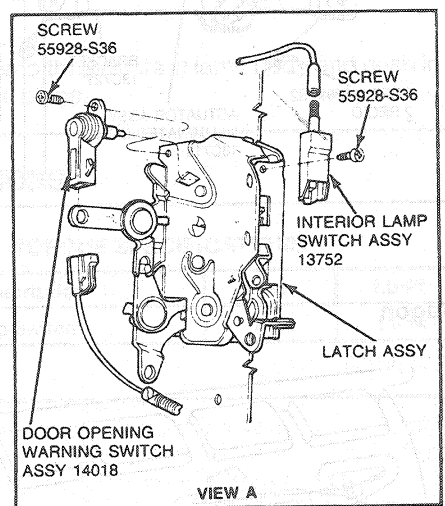
Illuminated Entry

Refer to the illustrations for Removal and Installation and electrical disconnect points.



LH DOOR SHOWN
RH DOOR TYPICAL

WIRING ASSY
14630-1



K8590-C