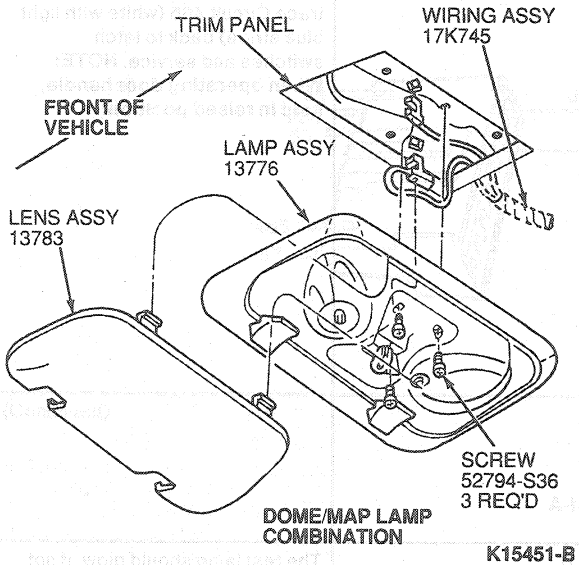


REMOVAL AND INSTALLATION (Continued)

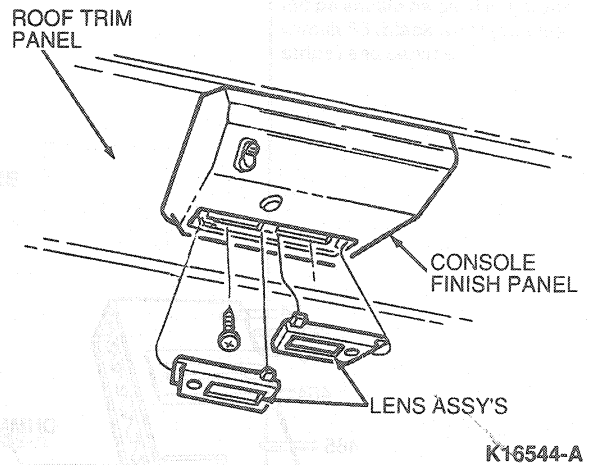
To replace the map lamp bulbs, remove the lens and three screws that retain the lamp assembly to its mounting surface. Lower the lamp assembly and replace the bulbs from rear of lamp using a thin-bladed screwdriver to remove the bulb(s).



With Moon Roof

To replace the bulb(s) remove the map lens assembly by holding lens in, switch depressed position. Use a thin-bladed screwdriver and carefully pry out lens assembly at center gap between two lens assemblies. Remove bulb from socket.

To remove lamp assembly, carefully pry out center section of lamp and remove two retaining screws. Disconnect electrical connector.



Install the map lamp lens assembly by engaging lens retaining tab at outboard edge of opening and snapping center edge of lens into console.