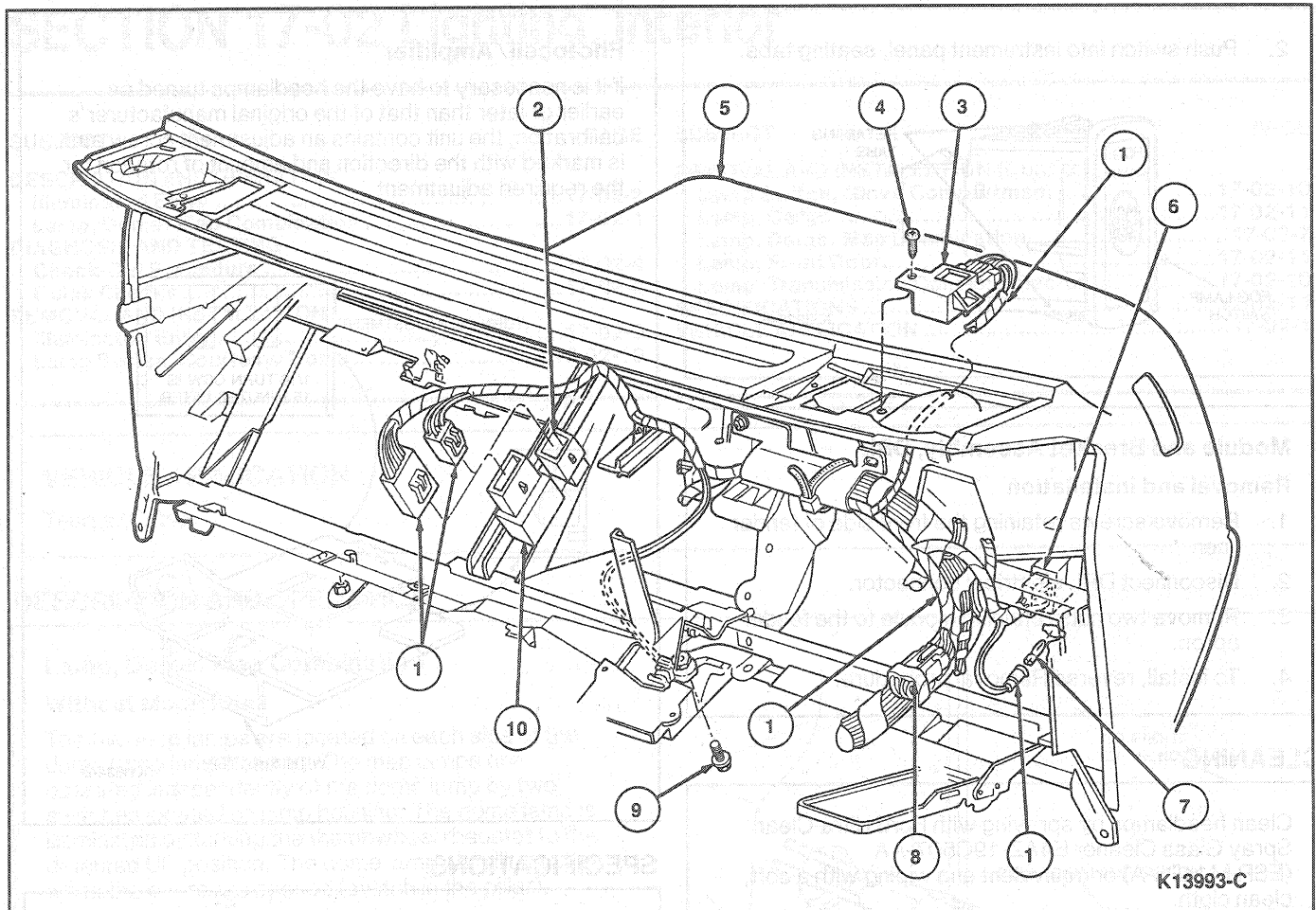


REMOVAL AND INSTALLATION (Continued)



K13993-C

Item	Part Number	Description
1	13A090	Wiring Assy
2	14B193	Headlamp Dimmer Relay
3	14A597	Light Sensor Amplifier
4	N803876	Screw

(Continued)

Item	Part Number	Description
5	04320	Instrument Panel
6	13A024	Autolamp Switch
7	13465	Bulb Assy
8	14401	Wiring Assy
9	N801846-S36MG	Screw
10	14A672	Autolamp Relay

Headlamp Control Relay**Removal and Installation**

1. Disconnect battery ground cable.
2. Remove relay from bracket mounted on instrument panel to the LH side of the glove compartment. Refer to the illustration following Potentiometer.
3. Disconnect the connector from relay.
4. To install, reverse Removal procedure.

Fog Lamp Switch**Removal**

1. Using a flat-bladed tool, separate switch assembly from instrument panel.
2. Pull switch out from panel and disconnect electrical connector.

Installation

1. Connect electrical connector to switch.