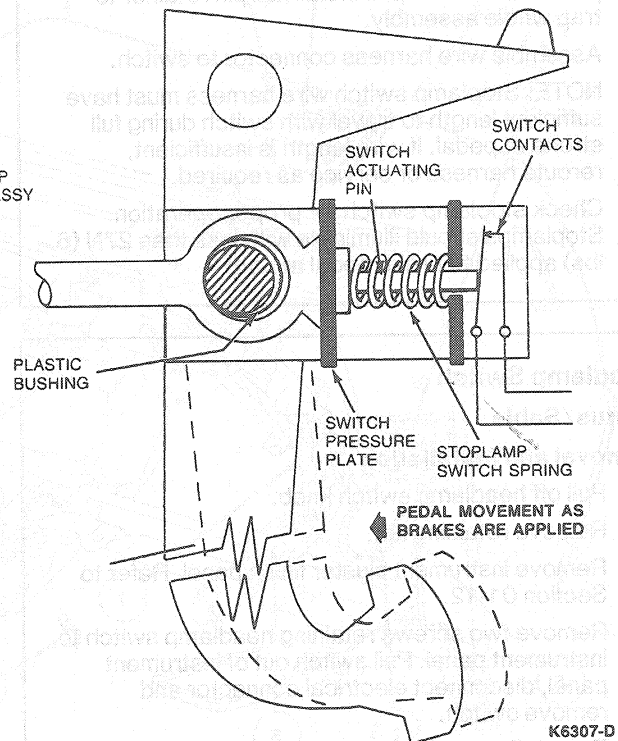
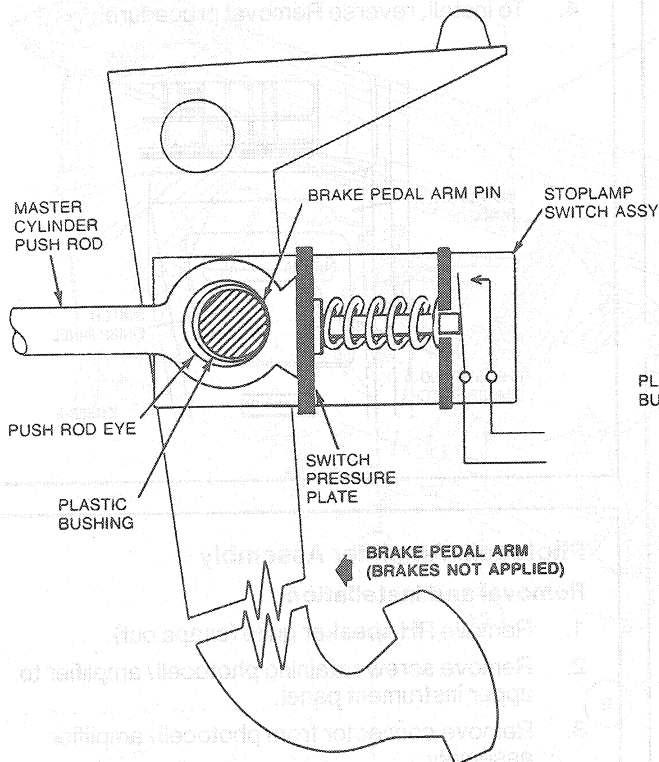


REMOVAL AND INSTALLATION (Continued)

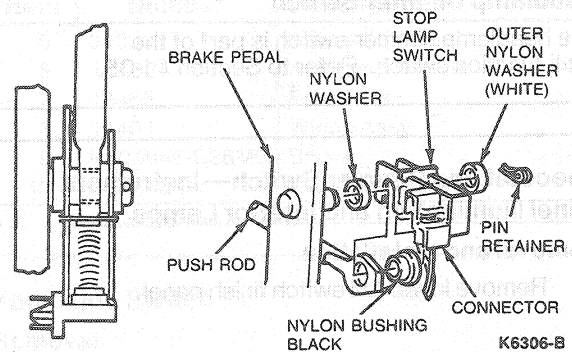
When the brake pedal is released, the spring in the stoplamp switch returns the actuating pin to its normal position and the circuit to the stoplamp opens.



Removal

NOTE: Locking tab must be lifted before connector can be removed.

1. Disconnect the wire harness at connector from the switch.
NOTE: Since the switch side plate nearest the brake pedal is slotted, it is not necessary to remove the brake master cylinder push rod black bushing and one white spacer washer nearest the pedal arm from the brake pedal pin.
2. Remove hairpin retainer and white nylon washer. Slide stoplamp switch and push rod away from pedal. Remove switch by sliding switch up/down.



Installation

1. Position switch so that U-shaped side is nearest pedal and directly over/under pin. The black bushing must be in position in push rod eyelet with washer face on side away from brake pedal arm.

CAUTION: Do not substitute other types of pin retainers. Replace only with production hairpin retainer.