

REMOVAL AND INSTALLATION (Continued)

High-Mount Stoplamp

Sedan

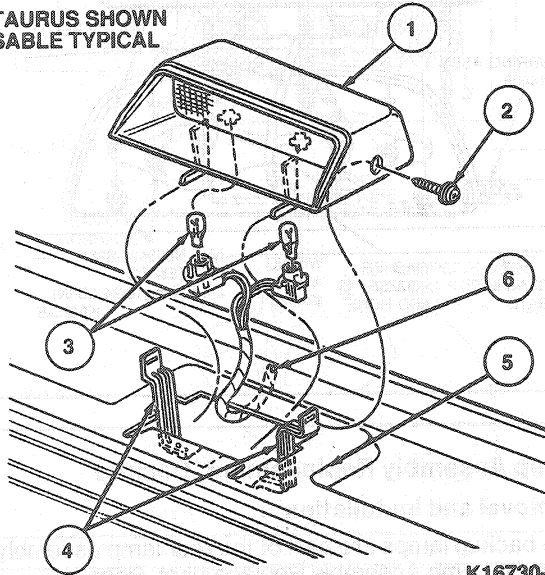
Removal

1. Remove two screws which retain lamp assembly to retainer.
2. Remove lamp assembly.

Installation

1. Position lamp assembly to retainer.
2. Install two screws which retain lamp assembly to package tray.

TAURUS SHOWN
SABLE TYPICAL



Item	Part Number	Description
1	13A613	Rear High-Mount Lamp Assy
2	N610127-S2	Screw (2 Req'd)
3	13465A	Bulb (2 Req'd)
4	13A621A	Rear High-Mount Retainer Lamp
5	—	Package Tray Trim Panel

(Continued)

Item	Part Number	Description
6	14405	Wiring Assy

Taurus SHO

The Taurus SHO is equipped with a high mounted stoplamp that is part of the deck lid spoiler. The lamp contains Light Emitting Diodes (LED) that are integral and cannot be changed like a light bulb. If the lamp is not (functioning) lighting properly the entire lamp assembly should be replaced.

Removal

1. From inside the luggage compartment disconnect the wiring connector and remove the five nuts retaining the deck lid spoiler to the deck lid.
2. Lower the deck lid and carefully lift up the spoiler and pull the wiring grommet out of the deck lid and remove the spoiler from the vehicle.
3. Turn the spoiler over and lay it on a protective surface.
4. Remove the three nuts retaining the high mount stoplamp to the spoiler.
5. Remove the lamp from the spoiler.

Installation

1. Position the lamp to the spoiler.
2. Install the three retaining nuts and tighten lamp securely to the spoiler.
NOTE: Make sure the sealer washers are on the five studs before setting it on the deck lid.
3. Carefully position the spoiler over the deck lid, route the wiring through the hole in the deck lid and install the grommet.
4. Align the studs on the spoiler to the holes in the deck lid and set it in position.
5. Install the five spoiler retaining nuts and tighten to 8.0-9.0 N-m (7 1-80 lb-in).
6. Connect the wiring connector.
7. Depress brake pedal to make sure lamp comes on.