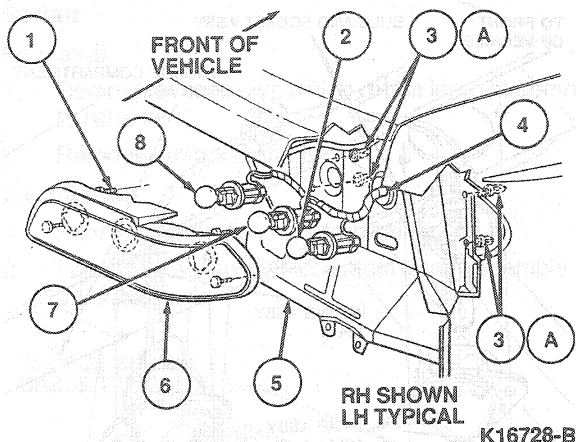


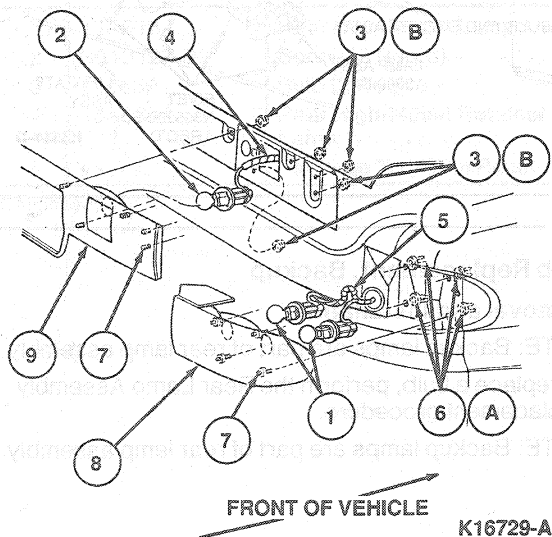
REMOVAL AND INSTALLATION (Continued)

Taurus



Item	Part Number	Description
1	—	Stud, Part of Lamp Assy
2	13465	Tail / Stop / Turn / Sidemarker Bulb Assy Lamp (2 Req'd)
3A	N806298-S	Nut
4	13407AA	Wiring Assy Rear Lamp
5	—	Lower Back Panel
6	13404A (RH) 13405A (LH)	Lamp Assy
7	13465	Tail / Stop Bulb Assy (2 Req'd)
8	13465	Backup Bulb Assy (2 Req'd)
A		Tighten to 1.6-2.2 N·m (15-19 Lb·In)

Sable



REMOVAL AND INSTALLATION (Continued)

Item	Part Number	Description
1	13465	Bulb Assy (4 Req'd)
2	13465	Bulb Assy (2 Req'd)
3B	N620375-S36	Nut (10 Req'd)
4	13412	Wire and Socket Assy
5	13407AA	Rear Lamp Wiring Assy
6A	N806298-S	Nut (8 Req'd)
7	—	Stud
8	13404A (RH) 13405A (LH)	Lamp Assy
9	13B433A	Reflector Plate Assy
A		Tighten to 1.6-2.2 N·m (15-19 Lb·In)
B		Tighten 1.2-1.8 N·m (11-15 Lb·In)

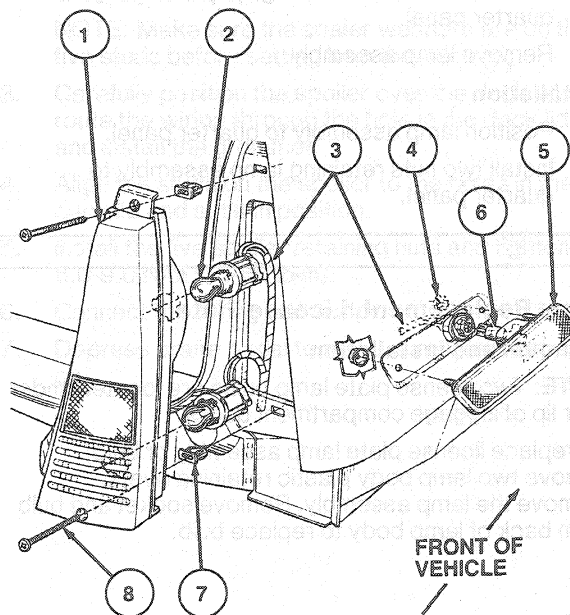
Wagon

Removal

1. Remove two screws retaining lamp assembly to quarter panel.
2. Remove lamp assembly.

Installation

1. Position new lamp assembly to quarter panel.
2. Install two screws retaining lamp assembly to quarter panel.



RH SHOWN, LH SYMMETRICALLY OPPOSITE

K8555-E