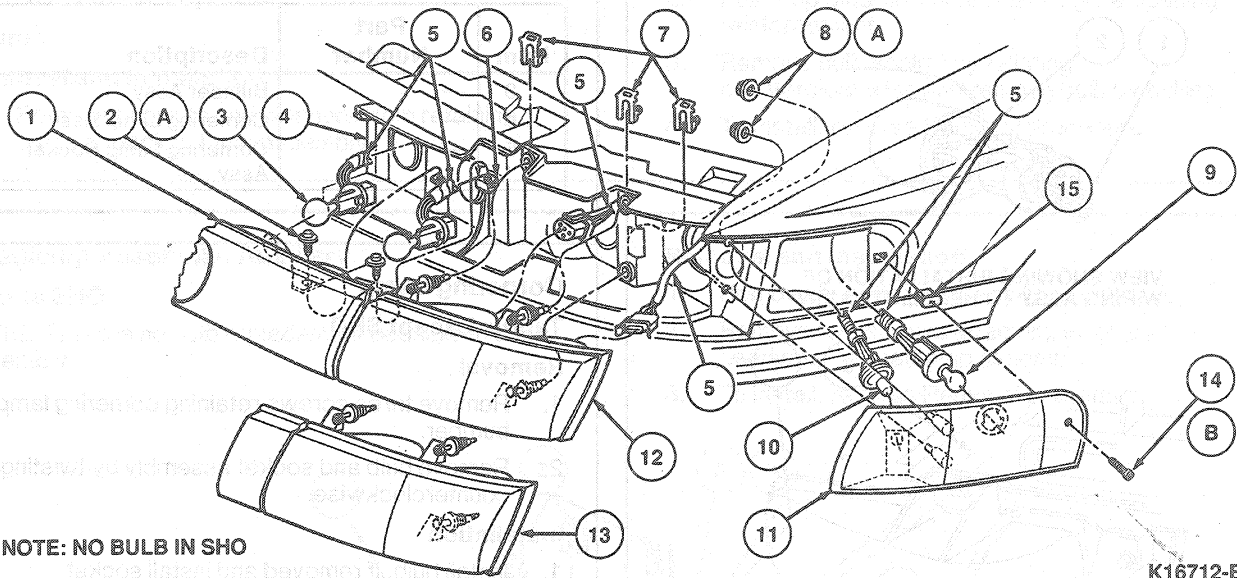


REMOVAL AND INSTALLATION (Continued)



NOTE: NO BULB IN SHO

K16712-B

Item	Part Number	Description
1	13A278-A	Parking Lamp Assy (Inner) (Sable)
2A	N606676-S55	Screw (4 Req'd) (Sable)
3	13465A	Bulb Assy Parking (4 Req'd)
4	—	Grille Opening Panel Reinforcement
5	14290	Wiring Assy
6	N623332-S100	Nut (4 Req'd) (Sable)
7	13N020A	Retainer/Headlamp (4 Req'd)
8A	N621905-S54	Nut (4 Req'd)
9	13465A	Cornering Bulb Assy (2 Req'd)
10	13465A	Cornering / Side Marker Bulb Assy (2 Req'd)

Item	Part Number	Description
11	15A201A (RH) 15A202A (LH)	Cornering / Side Marker Lamp Assy
12	13005A (RH) 13006A (LH)	Headlamp Assy (Sable)
13	13005B (RH) 13006B (LH)	Headlamp Assy (Taurus SHO)
14B	55999-S45	Screw
15	N800503-S	Nut (2 Req'd)
A		Tighten to 5.2-7.2 N·m (47-63 Lb·In)
B		Tighten to 0.8-1.7 N·m (7-15 Lb·In)

(Continued)

Lamp and Bulb Assembly Replacement, Rear Sedan

Removal and Installation

1. From inside luggage compartment, remove lower back panel trim cover, if so equipped.

2. Remove nuts retaining lamp body to lower back panel and pull lamp away from vehicle.
3. Remove lamp sockets from lamp body.
4. To install, reverse Removal procedure.