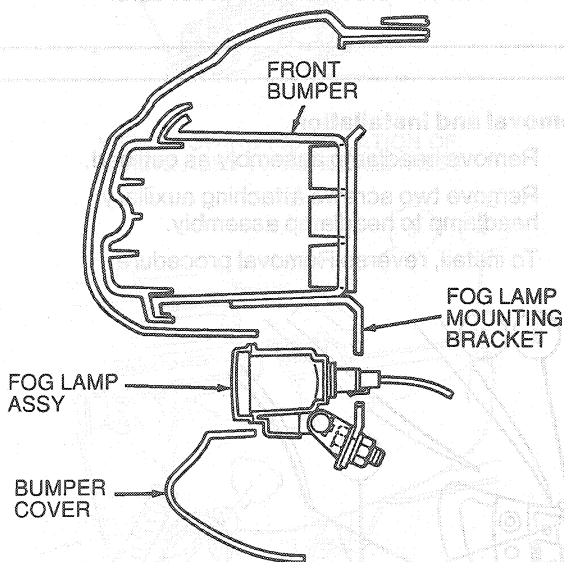


REMOVAL AND INSTALLATION (Continued)

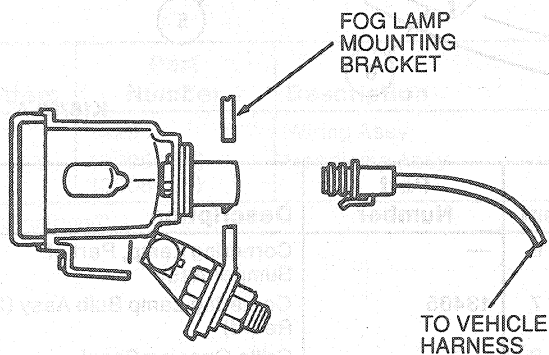
Fog Lamp Assembly

Taurus SHO

Removal and Installation

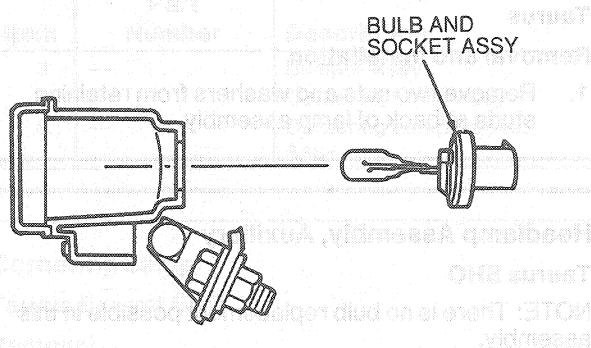


1. Disconnect electrical connector from fog lamp bulb.
2. From under the front fascia, remove nut retaining lamp to mounting bracket.



3. Slide fog lamp out of mounting bracket assembly.

(Continued)



4. If replacing fog lamp mounting bracket remove screw retaining bracket to bumper and retain bracket and screw for transfer of parts.
5. To install, reverse Removal procedure. Check fog lamp operation.

Bulb Assembly

Removal and Installation

NOTE: If performing bulb replacement only, it is not necessary to remove mounting bracket or lamp assembly.

1. Disconnect wiring connector from fog lamp bulb.
2. Rotate bulb and socket to remove from lamp.

CAUTION: Grasp bulb and socket by its plastic base only. Do not touch glass part of bulb.

NOTE: Socket assembly is indexed and can only be installed one way.

3. To install, reverse Removal procedure.

Lamps, Parking/Turn Signal Combination

The parking and turn signal lamps share the same dual filament bulb.

Removal and Installation

Bulb

1. Using access hole in radiator support, or from above, rotate bulb socket counterclockwise to disengage from lamp housing and remove bulb.
2. To install, reverse the removal procedure. Rotate bulb socket clockwise to engage in lamp housing.

Lamp, Parking/Turn Signal

The parking/turn signal lamp is part of the headlamp assembly. Refer to Headlamp for removal and installation.