

REMOVAL AND INSTALLATION (Continued)

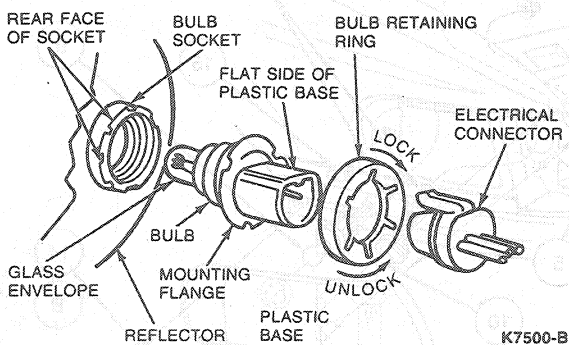
Item	Part Number	Description
1	13A278A	Lamp Assy Parking Inner (Sable)
2A	N606676-S55	Screw (4 Req'd)
3	13465A	Bulb Assy Parking (4 Req'd)
4	—	Grille Opening Panel Reinforcement
5	14290	Wiring Assy for Continuation
6	N623332-S100	Nut (4 Req'd) (Sable)
7	13N020-A	Retainer/Headlamp (6 Req'd)
8A	N621905-S54	Nut (4 Req'd)
9	13465A	Bulb Assy Cornering (2 Req'd)
10	13465A	Bulb Assy Cornering / Side Marker (2 Req'd)

(Continued)

Item	Part Number	Description
11	15A201A (RH) 15A202A (LH)	Lamp Assy Cornering / Side Marker
12	13005A (RH) 13006A (LH)	Headlamp Assy (Sable)
13	13005B (RH) 13006B (LH)	Headlamp Assy (Taurus SHO)
14B	55999-S45	Screw
15	N800503-S	Nut (2 Req'd)
A	—	Tighten to 5.2-7.2 N·m (47-63 Lb·In)
B	—	Tighten to 0.8-1.7 N·m (7-15 Lb·In)

Bulb Replacement, Headlamp**Removal**

1. Make sure headlamp switch is in OFF position.
2. Lift hood and locate bulb installed in rear of headlamp body.
3. Remove electrical connector from bulb by grasping wires firmly and snapping connector rearward.
4. Remove bulb retaining ring by rotating counterclockwise (when viewed from rear) about one-eighth turn and sliding ring off plastic base. Keep ring as it may be used again to retain new bulb.
5. Carefully remove headlamp bulb from socket in reflector by gently pulling straight out of socket. Do not rotate bulb during removal.



K7500-B

Installation

1. With flat side of plastic bulb base facing upward, insert glass envelope of bulb into socket. Turn base slightly to left or right, if necessary, to align grooves in forward part of plastic base with corresponding locating tabs inside socket. When grooves are aligned, push bulb firmly into socket until mounting flange on base contacts rear face of socket.
2. Slip bulb retaining ring over rear of plastic base against mounting flange. Lock ring into socket by rotating ring clockwise. A stop will be felt when retaining ring is fully engaged.
3. Push electrical connector into rear of plastic base until it snaps and locks into position.

NOTE: A properly aimed headlamp normally need not be re-aimed after installation of this bulb. A burned out bulb should not be removed from the headlamp reflector until just before a replacement bulb is to be installed. Removal of a bulb for an extended period of time may allow contaminants (dust, moisture, smoke) to enter the headlamp body and affect the performance of the headlamp. When servicing the headlamp bulb, energize the bulb only while it is contained within the headlamp body.

4. Turn headlamps on and check for proper operation.