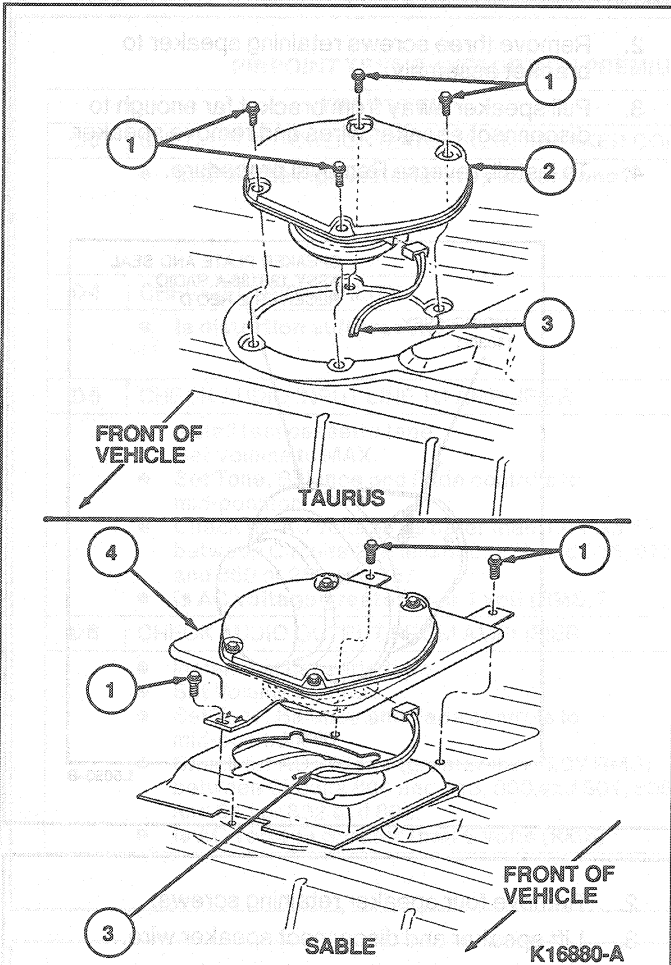


REMOVAL AND INSTALLATION (Continued)

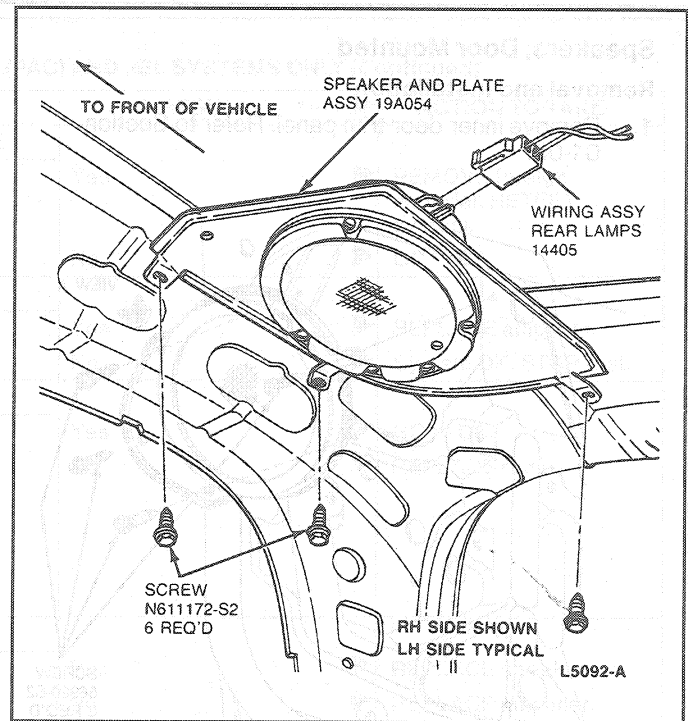


Item	Part Number	Description
1	—	Screw
2	—	Speaker
3	—	Speaker Wire
4	—	Speaker Mounting Bracket

Station Wagon

Removal and Installation

1. Remove rear corner upper finish panel. Refer to Section 01-05.
2. Remove three screws retaining speaker bracket and speaker.
3. Disconnect speaker wires and slide speaker bracket edge out from under headliner.
4. To install, reverse Removal procedure.

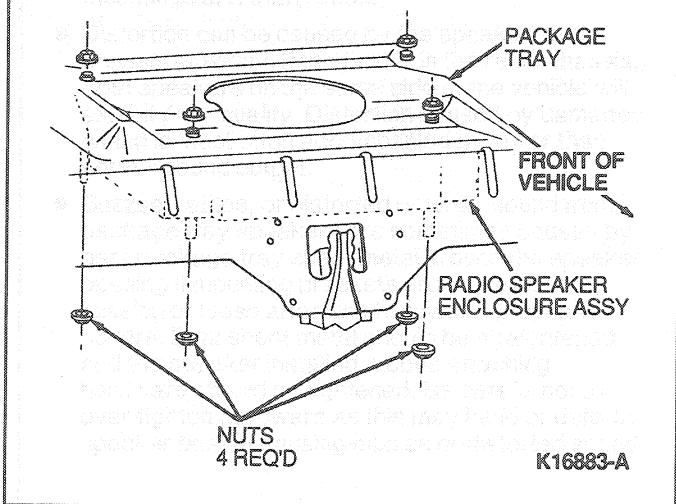


Package Tray Mount

JBL Subwoofer Enclosure

Removal and Installation

1. Disconnect wire assembly from subwoofer amplifier from luggage compartment.
2. Remove four retaining nuts.
3. Remove subwoofer enclosure from package tray.
4. To install, reverse Removal procedure.



Poor Sound Quality

Loss of sound from the speaker. If this condition occurs, check the speaker wiring. Refer to Section 15-03.