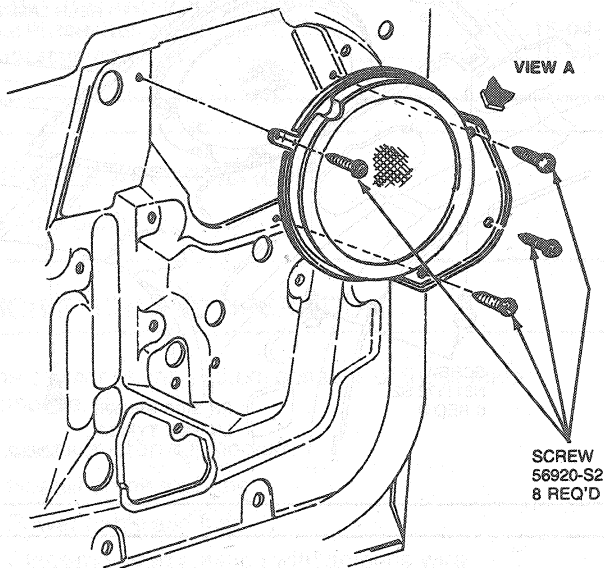


REMOVAL AND INSTALLATION

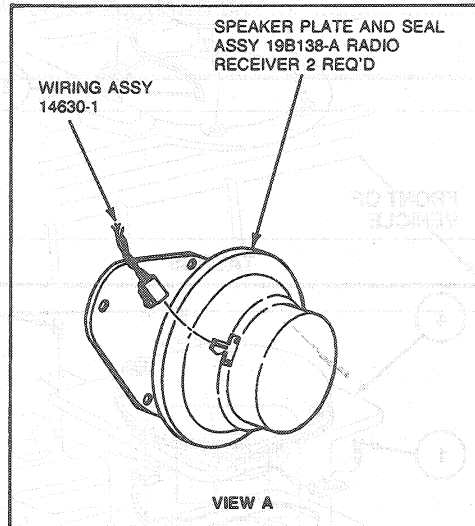
Speakers, Door Mounted

Removal and Installation

1. Remove inner door trim panel. Refer to Section 01-05.



2. Remove three screws retaining speaker to bracket assembly.
3. Pull speaker away from bracket far enough to disconnect speaker wires and remove speaker.
4. To install, reverse Removal procedure.



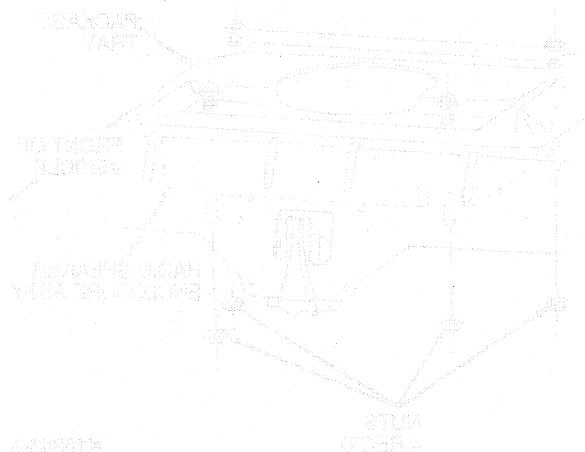
L5093-B

Speakers, Rear

Sedan

Removal and Installation

1. Remove speaker grille from package tray.



2. Remove four speaker retaining screws.
3. Lift speaker and disconnect speaker wire.
4. To install, reverse Removal procedure.

Item Number	Description	Quantity
1	Speaker	2
2	Speaker Wire	2
3	Speaker Mounting Screws	4