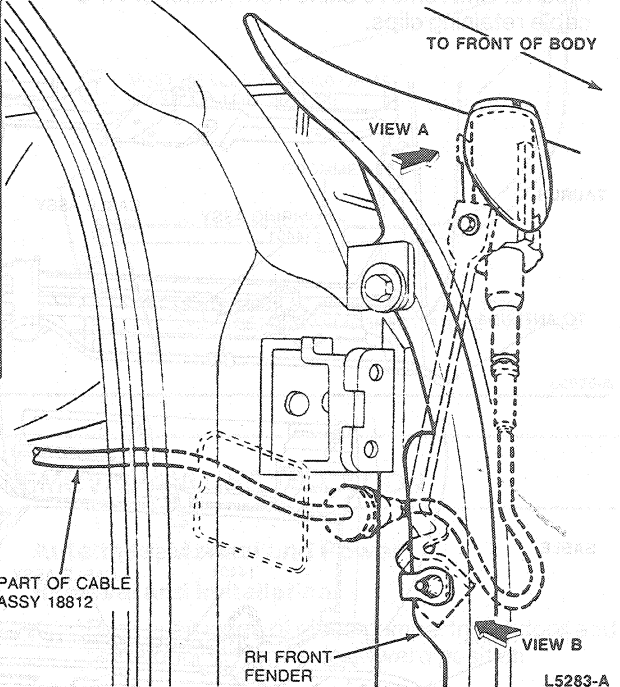
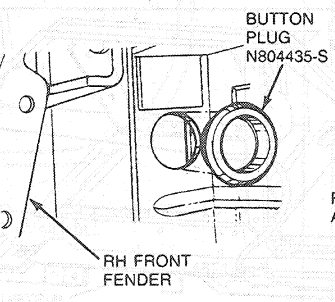
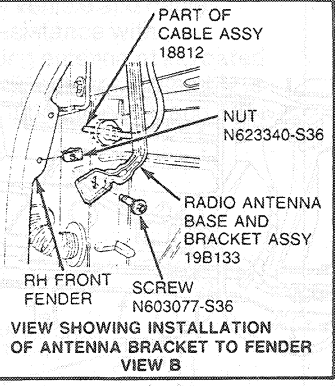
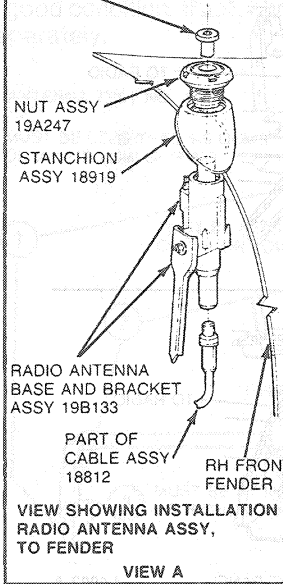


REMOVAL AND INSTALLATION (Continued)

Manual Antenna

NOTE: INSERT TO BE REMOVED BY DEALER PRIOR TO INSTALLATION OF ANTENNA KIT 18813



Power Antenna

