

SECTION 15-02 Antenna

SUBJECT	PAGE	SUBJECT	PAGE
DIAGNOSIS AND TESTING		REMOVAL AND INSTALLATION (Cont'd.)	
Antenna Cable and Base	15-02-2	Automatic Power Antenna Module	15-02-5
Antenna with Cable and Mast	15-02-2	Mast, Power	15-02-5
REMOVAL AND INSTALLATION		SPECIFICATIONS	15-02-5
Antennas, Manual and Power	15-02-2	VEHICLE APPLICATION	15-02-1

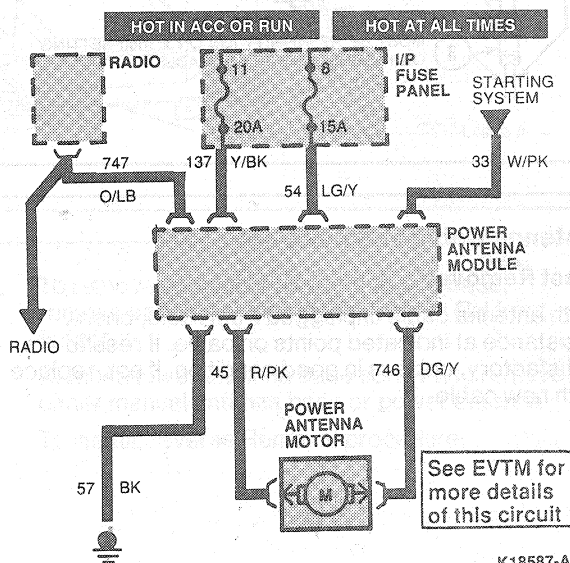
VEHICLE APPLICATION

Taurus / Sable.

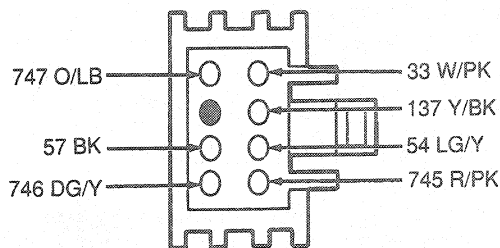
DIAGNOSIS AND TESTING

- The automatic power antenna, if equipped, will extend when the radio is turned on with the ignition in the RUN or ACC position. The antenna will retract when the ignition is turned to the OFF position even if the radio is ON.
- If AM reception is extremely poor and FM reception "spits" or appears to have trouble holding stations, ensure that the antenna and antenna connectors are properly mated. If the antenna connectors are properly mated but the reception is still poor, replace the antenna cable.
- If only FM reception is poor, it is unlikely that the antenna is at fault. Remove the radio chassis for service.
NOTE: Many customers do not understand the limitations of FM reception. Refer the customer to the Owner Guide for information about the limitations of FM radio performance.

Power Antenna Wiring Schematic



K18587-A



K18586-A