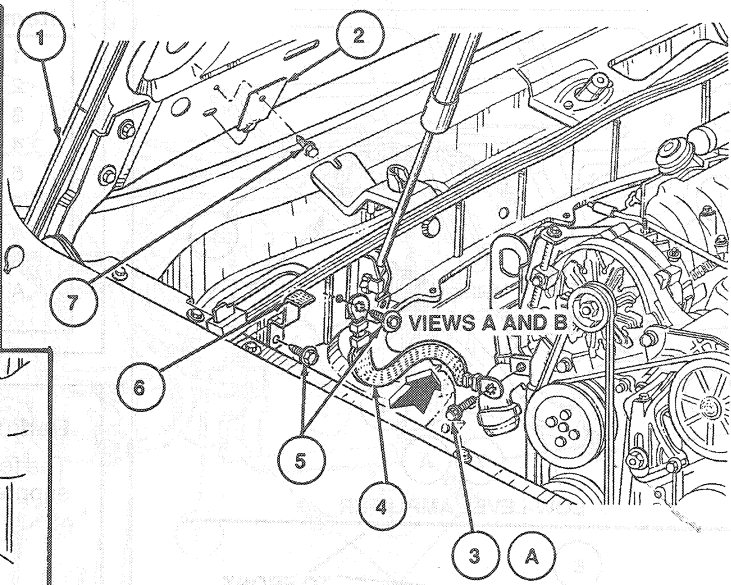
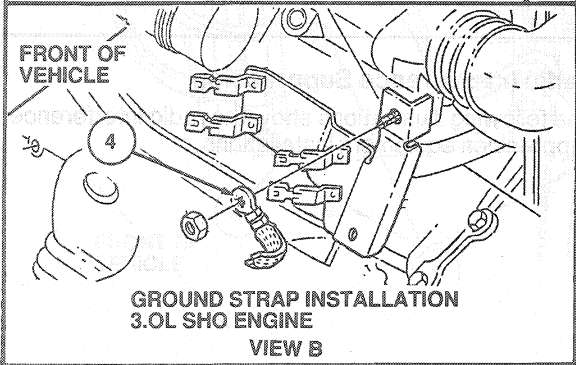
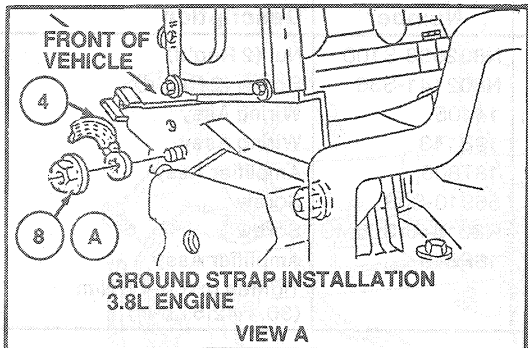


REMOVAL AND INSTALLATION (Continued)

(Continued) REMOVAL AND INSTALLATION

Engine and Hood Ground Strap



3.0L ENGINE SHOWN  
3.8L ENGINE SIMILAR  
EXCEPT AS SHOWN

K13041-C

Item	Part Number	Description
1	—	Hood
2	19B136	Suppression Bracket Choke
3A	N605799-S36	Bolt
4	19A095	Ground Strap

(Continued)

Item	Part Number	Description
5	N801846-S36MG	Screw (2 Req'd)
6	18870	Suppression Strap
7	N801846-S36	Screw
8A	N620482-S36	Nut and Washer Assy
A		Tighten to 46.7-63.3 N·m (34.4-46.7 Lb·Ft)