

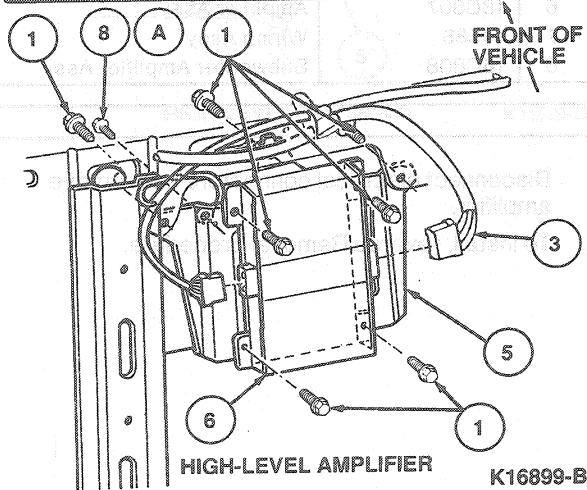
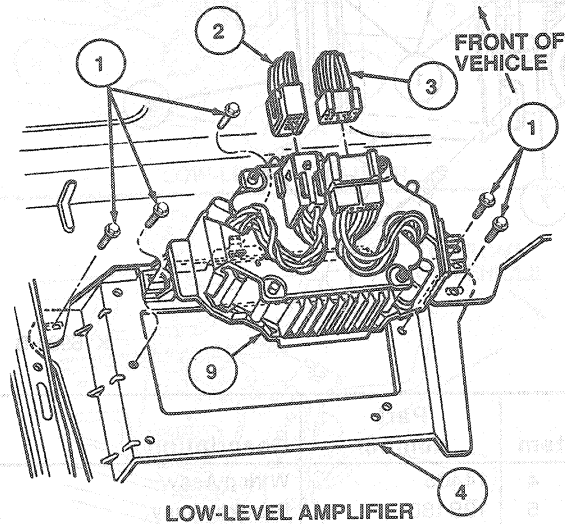
REMOVAL AND INSTALLATION (Continued)

Premium Sound Amplifier (Low and High-Level)

Sedan

Removal and Installation

1. Remove amplifier trim cover.
2. Remove two (low-level amplifier) or four (high-level amplifier) screws retaining amplifier to rear of package tray in luggage compartment.
3. Disconnect electrical connectors and remove amplifier.
4. To install, reverse Removal procedure.



Item	Part Number	Description
1	56910-S36	Screw (5 Req'd, 7 Req'd)
2	19B113	Wiring Assy
3	14405	Wiring Assy
4	18B860	Bracket Assy
5	19B180	Bracket Assy
6	18C807	Amplifier Assy
7	14588	Wiring Assy
8A	N801846-53M6	Screw
9	18B849	Amplifier Assy
A		Tighten to 3.4-4.8 N-m (30.1-42.5 Lb-In)

JBL Amplifier

Sedan

Removal and Installation

1. From inside luggage compartment remove amplifier trim cover.
2. Remove four screws retaining each amplifier to rear of package tray in luggage compartment.
3. Disconnect electrical connectors and remove amplifier.
4. To install, reverse Removal procedure.