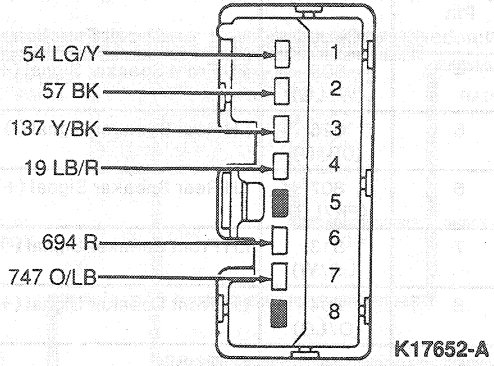


DIAGNOSIS AND TESTING (Continued)



Pin Number	Color	Function
1	54 LG/Y	LF Front Speaker Signal (+)
2	57 BK	LF Front Speaker Signal (-)
3	137 Y/BK	RF Front Speaker Signal (+)
4	19 LB/R	RF Front Speaker Signal (-)
5		NOT USED
6	694 R	LF Front Speaker Signal (+)
7	747 O/LB	LF Front Speaker Signal (-)
8		NOT USED
9		NOT USED
10		NOT USED

Pin Number	Color	Function
1	54 LG/Y	LF Front Speaker Signal (+)
2	57 BK	LF Front Speaker Signal (-)
3	137 Y/BK	RF Front Speaker Signal (+)
4	19 LB/R	RF Front Speaker Signal (-)
5		NOT USED
6	694 R	LF Front Speaker Signal (+)
7	747 O/LB	LF Front Speaker Signal (-)
8		NOT USED
9		NOT USED
10		NOT USED