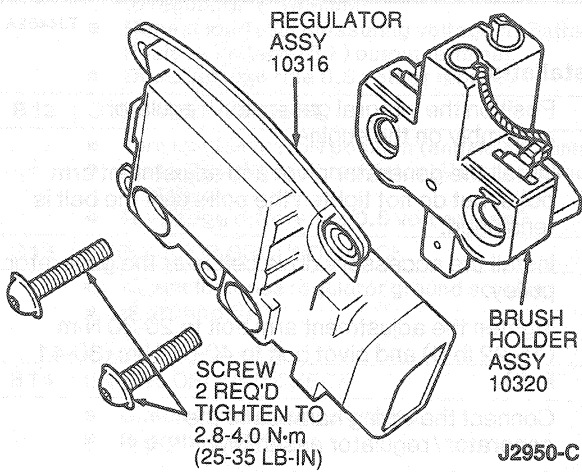


REMOVAL AND INSTALLATION (Continued)

- Remove two screws (T20 TORX® type head) attaching the regulator to the brush holder. Separate the regulator from brush holder assembly.



Installation

- Replace brush holder to regulator and install attaching screws.
- Replace cap on the head of the 'A' terminal screw.
- Depress the brushes into the holder and hold the brushes in position by inserting a standard size paper clip (or equivalent) through both the location hole in the regulator and through the holes in the brushes.
- Install the regulator and brush holder assembly to the generator assembly with attaching screws.

NOTE: Remove paper clip (or equivalent) from the regulator.

DISASSEMBLY AND ASSEMBLY

NOTE: The regulator, brush holder, fan and pulley are serviceable. If the generator assembly needs further service, it must be replaced as an assembly.

SPECIFICATIONS

TORQUE SPECIFICATIONS

Description	N·m	Lb·Ft
Regulator Grounding Screws	1.76-2.8	16-24 (Lb-In)
Adjustment Arm Bolt	20-30	15-22
Pivot Bolt	40-55	30-41
Adjusting Brace Bolts	8.5-11	7-8
Generator Brace Nut	20-30	15-22

SPECIAL SERVICE TOOLS

ROTUNDA EQUIPMENT

Model	Description
007-00001	Digital Volt Ohmmeter
078-00005	Starting and Charging System Tester