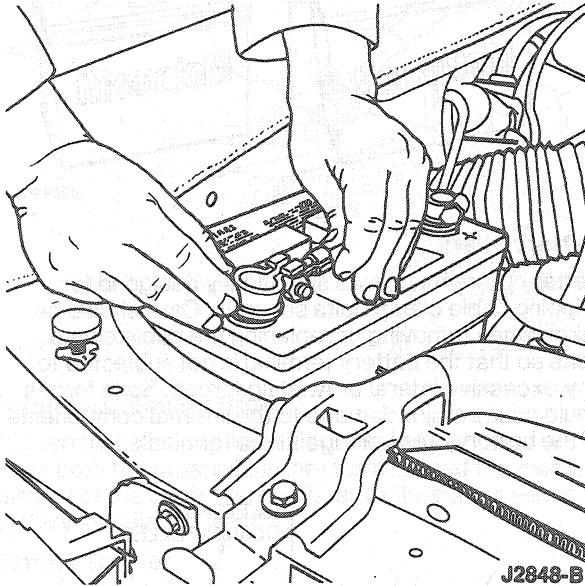


REMOVAL AND INSTALLATION (Continued)

- Secure cables (positive first) to proper terminals. Do not over-tighten. Apply petroleum jelly to terminals.

NOTE: When the battery is disconnected and reconnected, some abnormal driving symptoms may occur while the powertrain control module (PCM) relearns its adaptive strategy. The vehicle may need to be driven 10 miles or more to relearn the strategy.



Battery Tray

Removal

- Remove battery from vehicle as outlined.
- Remove retaining bolts, screws and washers from battery tray.

- Remove battery tray from vehicle.

Installation

- Position battery tray to inside fender in engine compartment.
- Install retaining bolts and washers. Tighten each to 8-12 N-m (6-8 lb-ft).
- Install battery in engine compartment as outlined.
- Tighten hold-down bracket bolt to 7-10 N-m (6-7 lb-ft).

