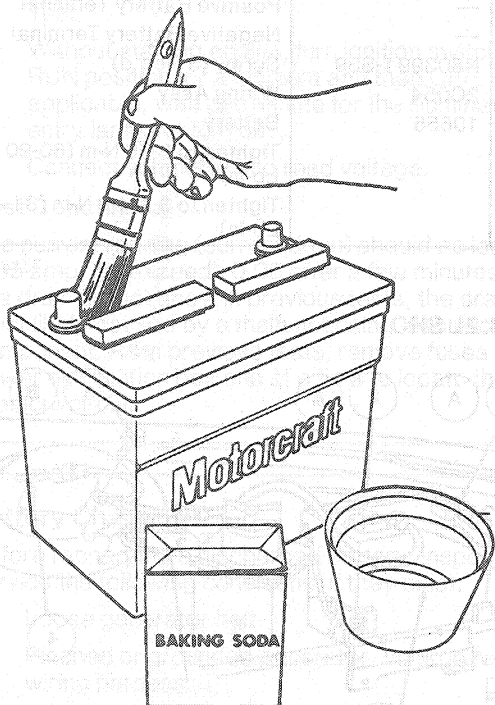


REMOVAL AND INSTALLATION (Continued)

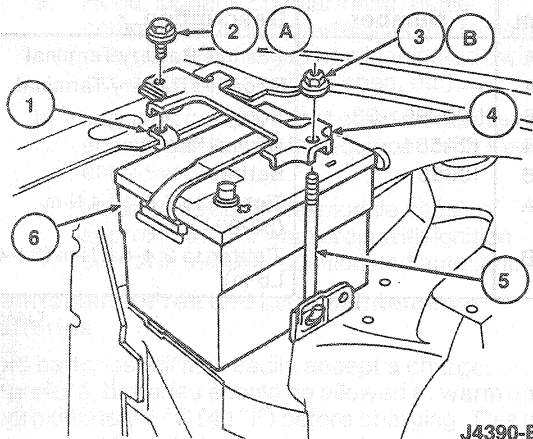
- Clean cable terminals using an acid neutralizing solution and terminal cleaning brush.



J2847-A

- Remove hold-down clamps.

Battery Hold Down



J4390-B

Item	Part Number	Description
1	N623333-S2	U-Nut
2A	N606690-S2	Bolt (1 Req'd)
3B	N801521-S2	Nut (1 Req'd)
4	10755	Bracket
5	10K700	J-Bolt

(Continued)

TESTING (Continued)

Item	Part Number	Description
6	10655	Battery Assy
A		Tighten to 7-10 N·m (62-88 Lb·In)
B		Tighten to 3-5 N·m (27-44 Lb·In)

- Remove battery from vehicle.

WARNING: BATTERIES NORMALLY PRODUCE EXPLOSIVE GASES WHICH CAN CAUSE PERSONAL INJURY. THEREFORE, DO NOT ALLOW FLAMES, SPARKS OR LIGHTED SUBSTANCES TO COME NEAR THE BATTERY. WHEN CHARGING OR WORKING NEAR A BATTERY, ALWAYS SHIELD YOUR FACE AND PROTECT YOUR EYES. ALWAYS PROVIDE VENTILATION.

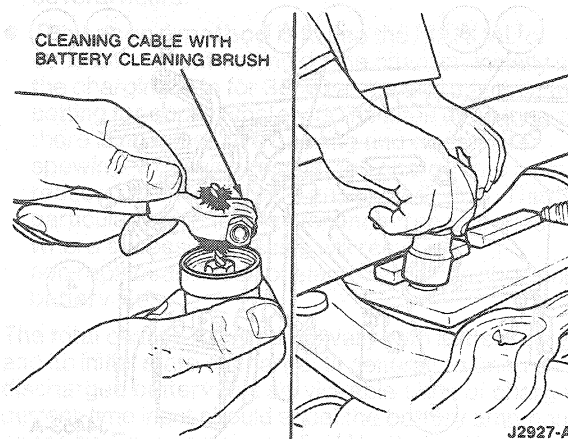
WHEN LIFTING A PLASTIC-CASED BATTERY, EXCESSIVE PRESSURE ON THE END WALLS COULD CAUSE ACID TO SPEW THROUGH THE VENT CAPS, RESULTING IN PERSONAL INJURY. LIFT WITH A BATTERY CARRIER OR WITH YOUR HANDS ON OPPOSITE CORNERS.

- Test battery and determine if it should be:

- Placed back in service
- Recharged before placing back in service
- Replaced with a Motorcraft or equivalent battery

Installation

- Clean cable terminals and hold-down with a wire brush. Replace all cables or parts that are worn or frayed.



J2927-A

- Clean battery tray with a wire brush and scraper.
- Place battery in tray with positive and negative terminals in same position as previous battery. Assemble and tighten hold-down hardware so battery is secure. Do not over-tighten.