

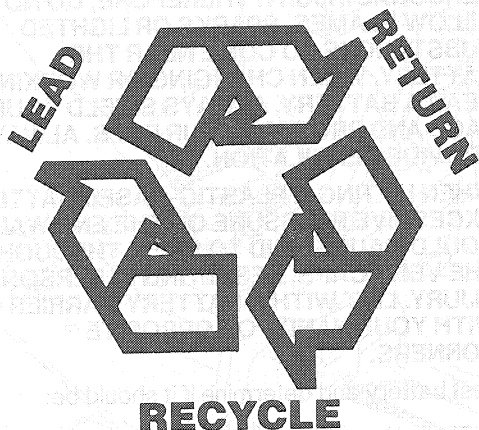
TESTING (Continued)

Jump Starting
Refer to Section 03-06.

REMOVAL AND INSTALLATION

Help Us Protect Our Environment

Ford Motor Company strongly recommends that lead-acid batteries be returned to an authorized recycling facility for disposal.



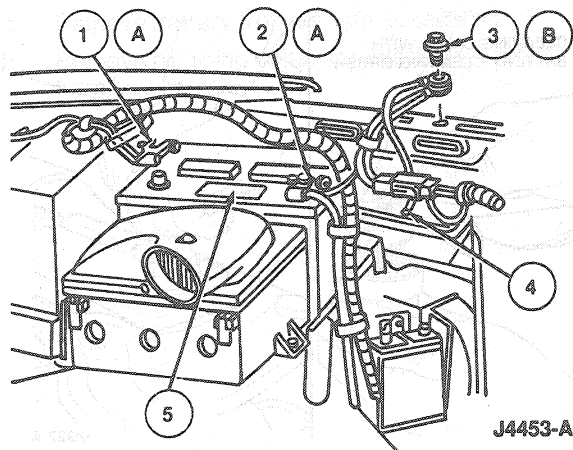
J4961-A

Removal

1. Remove battery cables from battery terminals (negative first).

3.0L EFI and 3.8L EFI

Battery

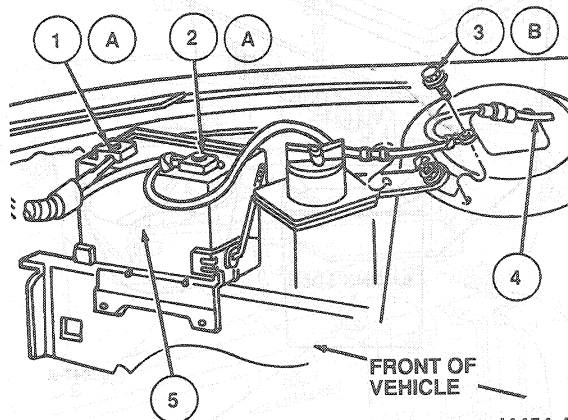


J4453-A

Item	Part Number	Description
1A	—	Positive Battery Terminal
2A	—	Negative Battery Terminal
3B	N803991-S39	Screw (3 Req'd)
4	2C054	Wiring Assy
5	10655	Battery
A		Tighten to 6-10 N·m (60-90 Lb·In)
B		Tighten to 3.4-4.8 N·m (31-42 Lb·In)

TJ4453A

3.0L/3.2L SHO



J4454-A

Item	Part Number	Description
1A	—	Positive Battery Terminal
2A	—	Negative Battery Terminal
3B	N803991-S3	Screw
4	12A581	Wiring Harness
5	10655	Battery
A		Tighten to 7.6-10.4 N·m (68-92 Lb·In)
B		Tighten to 3.4-4.8 N·m (31-42 Lb·In)

TJ4454A