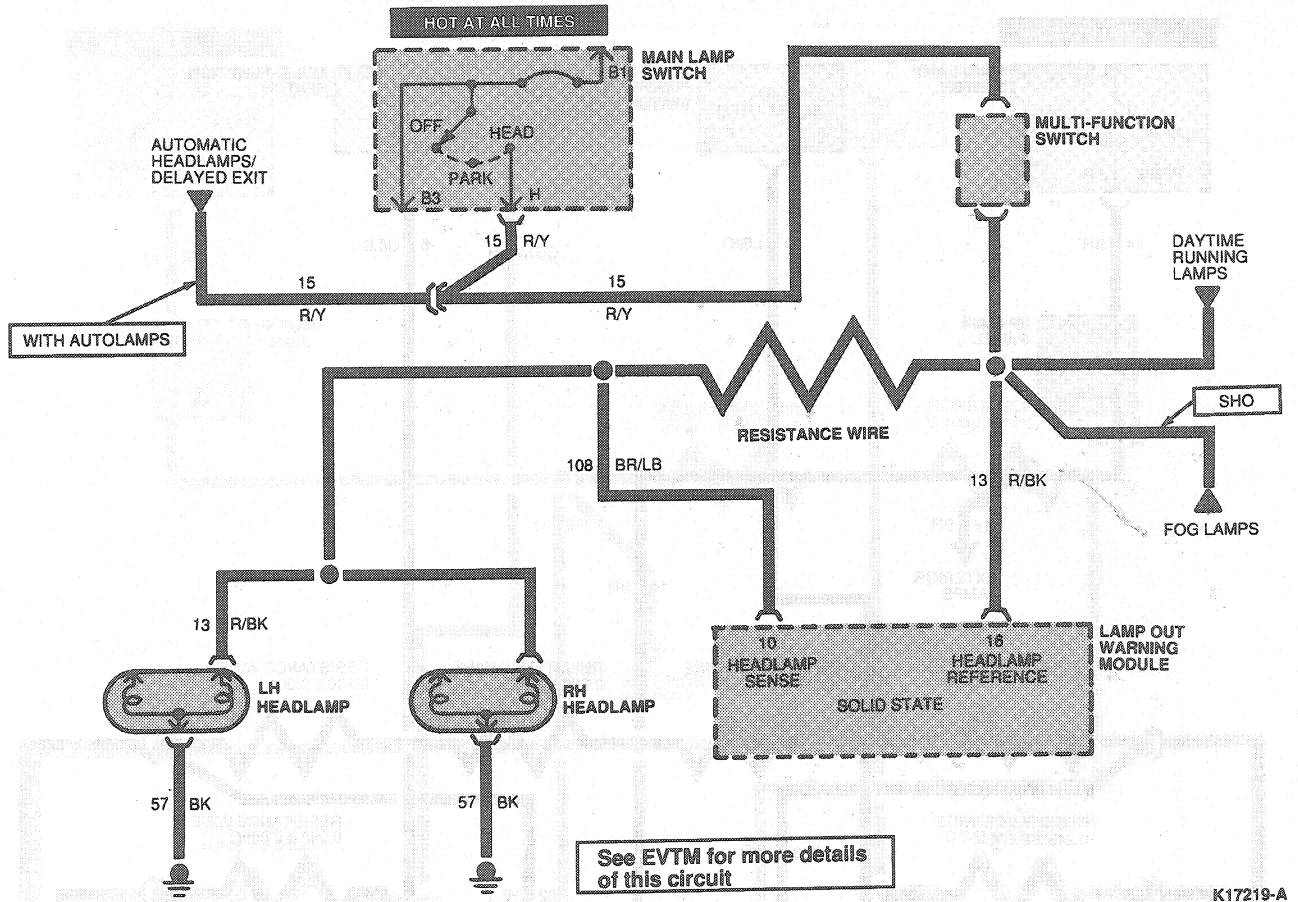


DIAGNOSIS AND TESTING (Continued)

Headlamp Circuit



K17219-A