

DESCRIPTION AND OPERATION (Continued)

The Lamp-Out Warning System consists of a lamp-out warning module, a unique wiring harness and one warning indicator in the conventional instrument cluster, or two warning indicators in the digital instrument cluster. The lamp-out warning system monitors three functions:

- Low-beam headlamps
- Rear parking lamps
- Brakelamps

The system operates when the ignition switch is in the ACC or RUN position.

Digital Cluster:

REAR LAMP OUT: Indicates a brakelamp burn out when the brake pedal is pressed. Rear Lamp Out will also indicate a rear parking lamp burnout when the light switch is turned to either the parking lamp or headlamp position.

HEADLAMP OUT: Indicates a low-beam headlamp burnout when the light switch is turned to the headlamp position.

Analog Cluster:

LAMP OUT: Combines the functions of REAR LAMP OUT and HEADLAMP OUT.

Low Oil Level Warning System

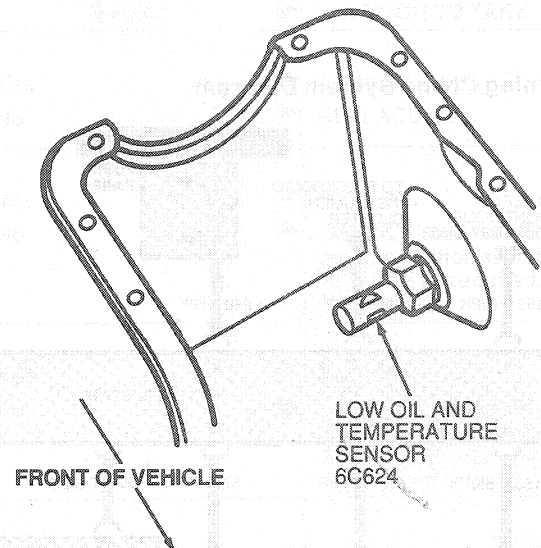
This system consists of a float-type sensor mounted to the side of the engine oil pan, an electronic control module (an electronic relay) and an instrument panel warning indicator.

The warning indicator should come on during engine starting as a bulb prove-out. When the ignition switch is turned to the RUN or START position, the control module determines whether the sensor is grounded (oil low) or ungrounded (oil not low). If the oil level is adequate, the light will go out in RUN. If oil level is approximately 1.4L (1.5 qt) low or lower, the relay keeps the warning indicator on. The indicator remains on until the oil level is adequate or the ignition switch is turned to the OFF position. After the ignition switch is turned to the OFF position, the module will not reset for approximately five minutes. The delay allows time for oil drainback before another reading is allowed to occur. If the engine is restarted during this delay period, the indicator will stay off, unless it was previously on and sensor is still grounded.

Low Oil Level Warning Indicator


LOW
OIL

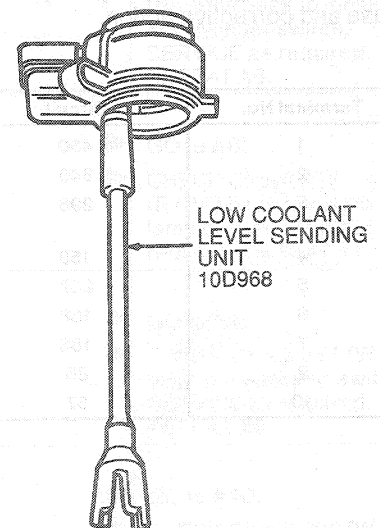
K19334-A

Sensor Installation

K16716-B

Low Coolant Level Indicator

A coolant level sensor is mounted on the recovery reservoir and is used to illuminate the CHECK COOLANT indicator located in the cluster. When the ignition is turned to RUN position, the indicator will prove out momentarily and turn off after the engine is started, indicating adequate coolant fill. The CHECK COOLANT indicator will turn on when the coolant level drops below the FULL COLD mark located on the side of the recovery reservoir. When indicating a low coolant condition, the indicator will illuminate and remain on until the coolant is filled to the FULL HOT mark and vehicle ignition is turned off and then cycled back on.



K17131-B