

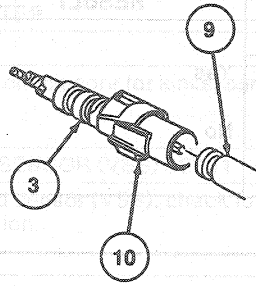
REMOVAL AND INSTALLATION (Continued)

DIAGNOSIS AND TESTING (Continued)

QUICK CONNECT CABLE ATTACHMENT AND REMOVAL

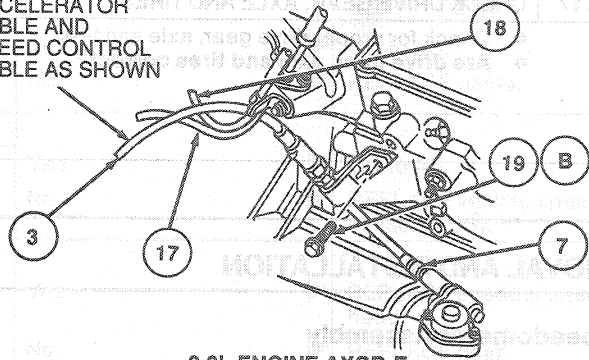
TO INSTALL:  
PUSH CABLE FITTING ON WITH A ROTATING MOTION UNTIL CONNECTOR ENGAGES INTO SPEEDOMETER HEAD DETENT.

TO REMOVE:  
PRESS THUMB LATCH TO DISENGAGE AND PULL CABLE AWAY FROM SPEEDOMETER HEAD.

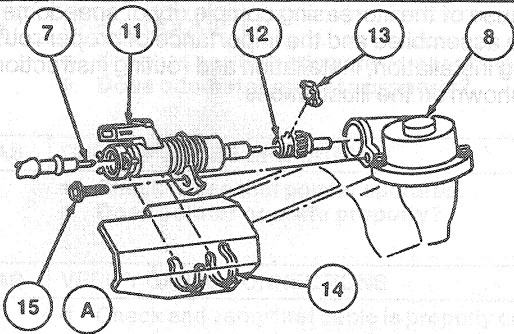


VIEW A

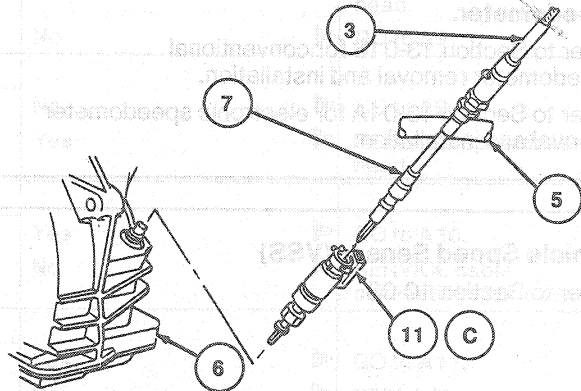
ROUTE SPEEDOMETER CABLE OVER ACCELERATOR CABLE AND SPEED CONTROL CABLE AS SHOWN



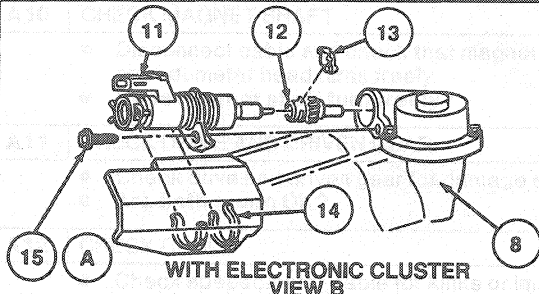
3.0L ENGINE AXOD-E TRANSAXLE  
VIEW C



WITH STANDARD CLUSTER  
VIEW B

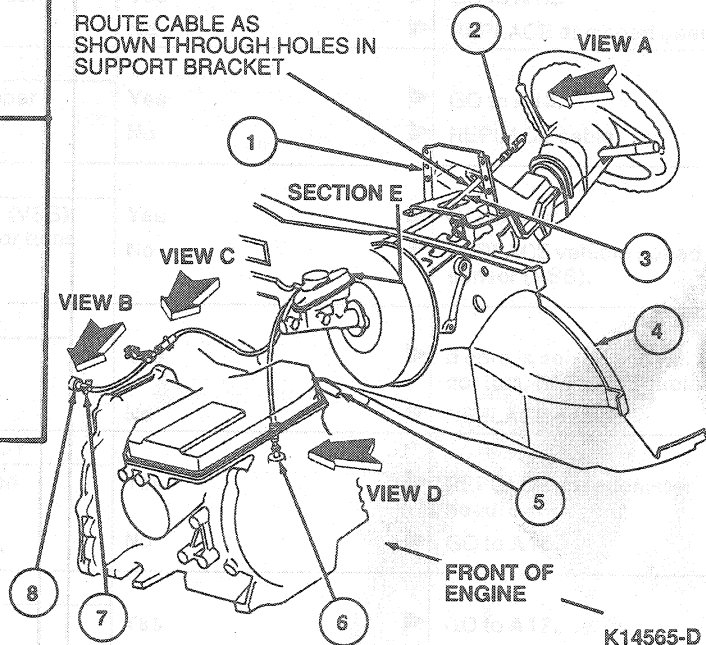


MANUAL TRANSAXLE WITH STANDARD CLUSTER  
VIEW D

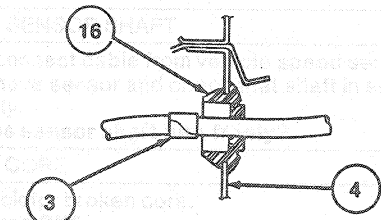


WITH ELECTRONIC CLUSTER  
VIEW B

ROUTE CABLE AS SHOWN THROUGH HOLES IN SUPPORT BRACKET



K14565-D



WITH STANDARD CLUSTER  
SECTION E