

REMOVAL AND INSTALLATION (Continued)

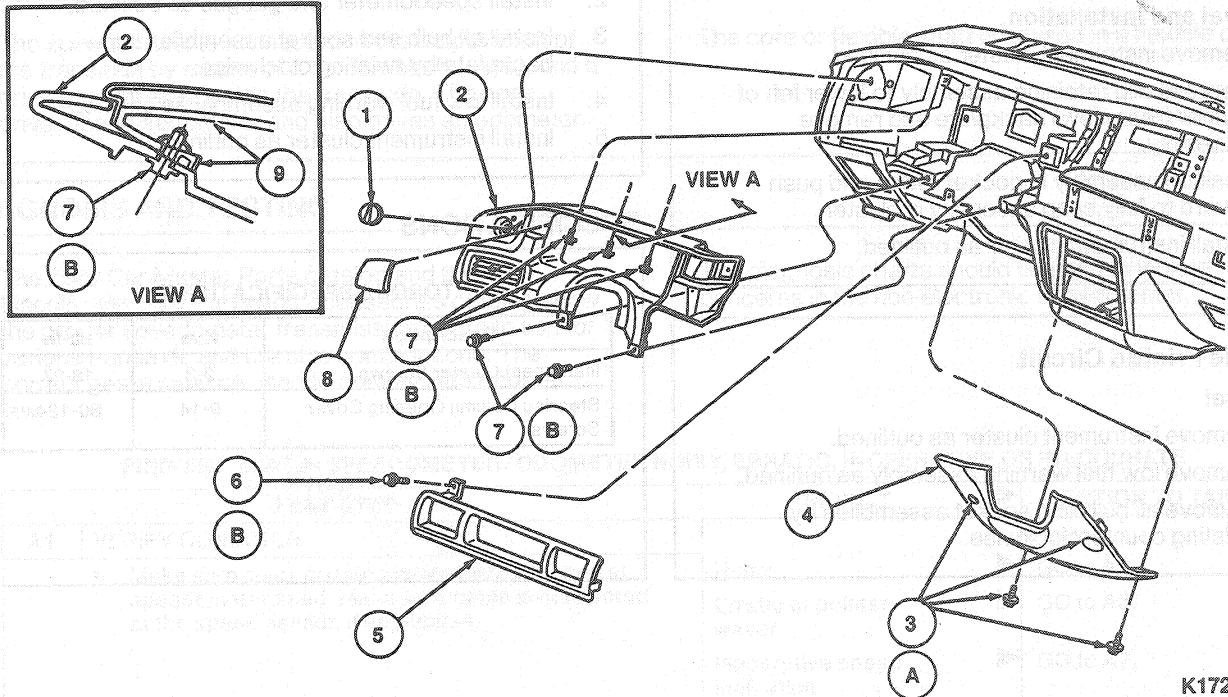
Item	Part Number	Description
1	11666	Lamp Switch Knob Assy
2	044D70	Instrument Panel Cluster Assy
3A	N8067 15-S36B	Screw (4 Req'd)
4	046A72	Steering Column Opening Cover Assy
5B	N804306-S36B	Lower Instrument Panel Cluster Screws (2 Req'd)

(Continued)

Item	Part Number	Description
6	044F58	Instrument Panel Control Opening Cover Assy
7B	N804306-S36B	Upper Instrument Panel Cluster Screws (2 Req'd)
8	—	Instrument Panel Cover and Pad Assy
A	—	Tighten to 9-14 N·m (80-124 Lb·In)
B	—	Tighten to 2-3 N·m (18-27 Lb·In)

TK17206A

Sable



K17207-A

Item	Part Number	Description
1	11666	Lamp Switch Knob Assy
2	044D70	Instrument Panel Cluster Assy
3A	N804306-S36B	Screw (4 Req'd)
4	046A72	Steering Column Opening Cover Assy
5	044A92	Instrument Panel Upper Center Finish Panel Assy
6B	N804306-S36B	Instrument Panel Upper Center Finish Panel Screw

(Continued)

Item	Part Number	Description
7B	N804306-S36B	Instrument Panel Cluster Assy Screws (5 Req'd)
8	044F58	Instrument Panel Control Opening Cover
9	—	Instrument Panel Cover and Pad Assy
A	—	Tighten to 9-14 N·m (80-124 Lb·In)
B	—	Tighten to 2-3 N·m (18-27 Lb·In)

TK17207A