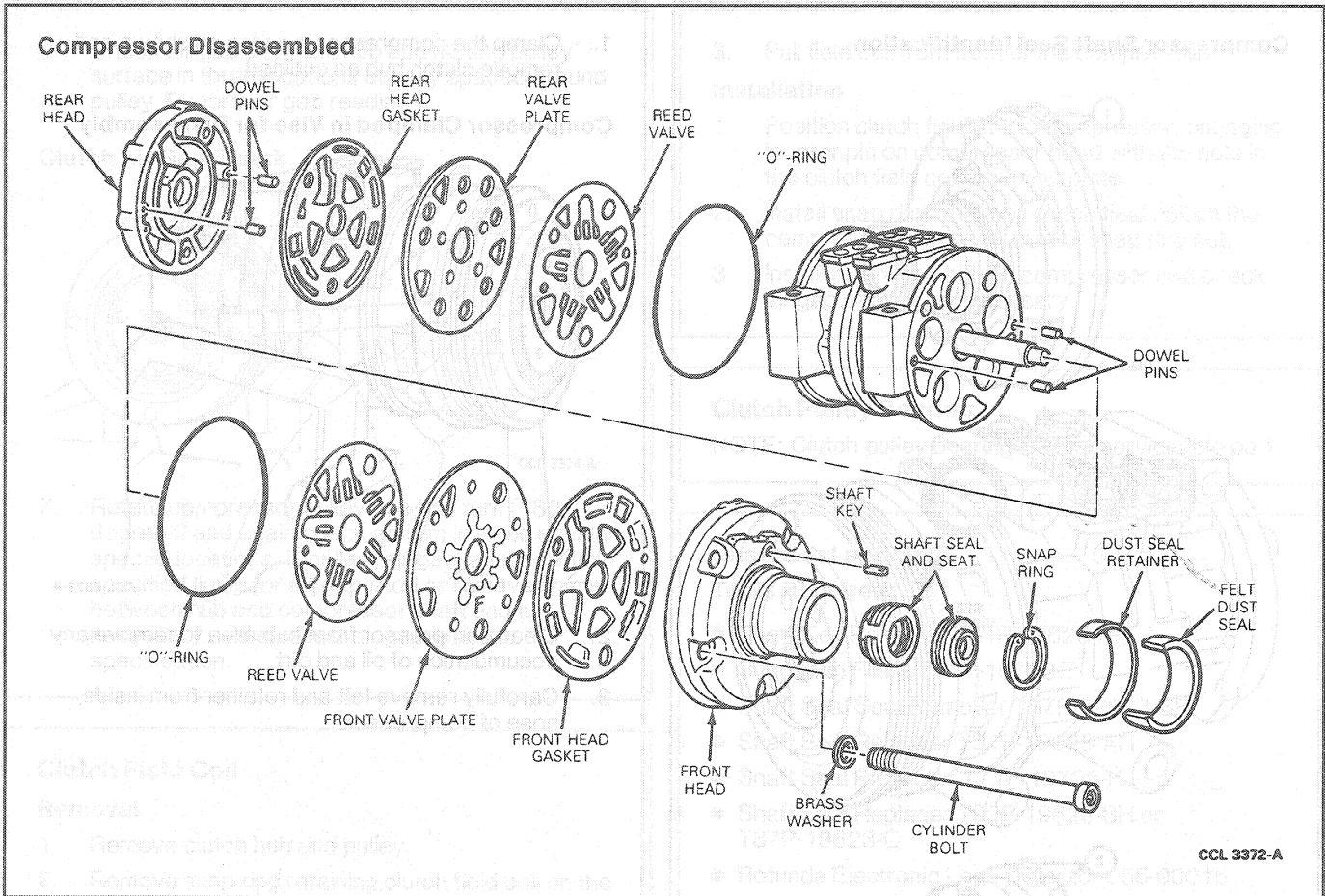


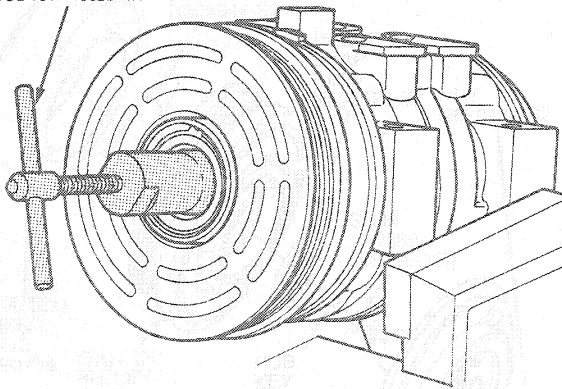
REMOVAL AND INSTALLATION (Continued)



4. Remove shaft key with Shaft Key Remover T81P-19623-NH.

Shaft Key—Removal

SHAFT KEY REMOVER
TOOL T81P-19623-NH

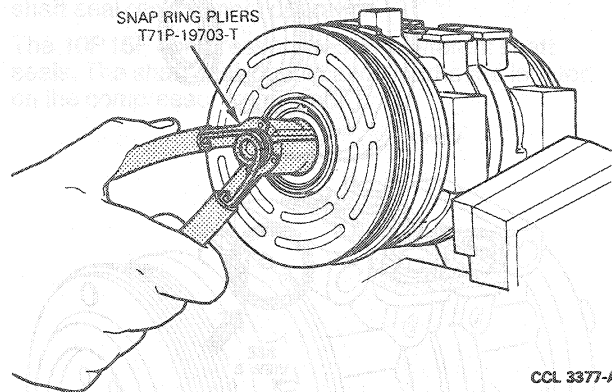


CCL 3376-A

5. Remove shaft seal seat retaining snap ring with Snap Ring Pliers T71P-19703-T.

Seal Seat Retaining Snap Ring—Removal

SNAP RING PLIERS
T71P-19703-T



CCL 3377-A

6. Clean inner bore of compressor nose to prevent dirt from entering compressor when shaft seal seat is removed.
7. Remove shaft seal seat with Shaft Seal Seat Remover T87P-19623-BR.