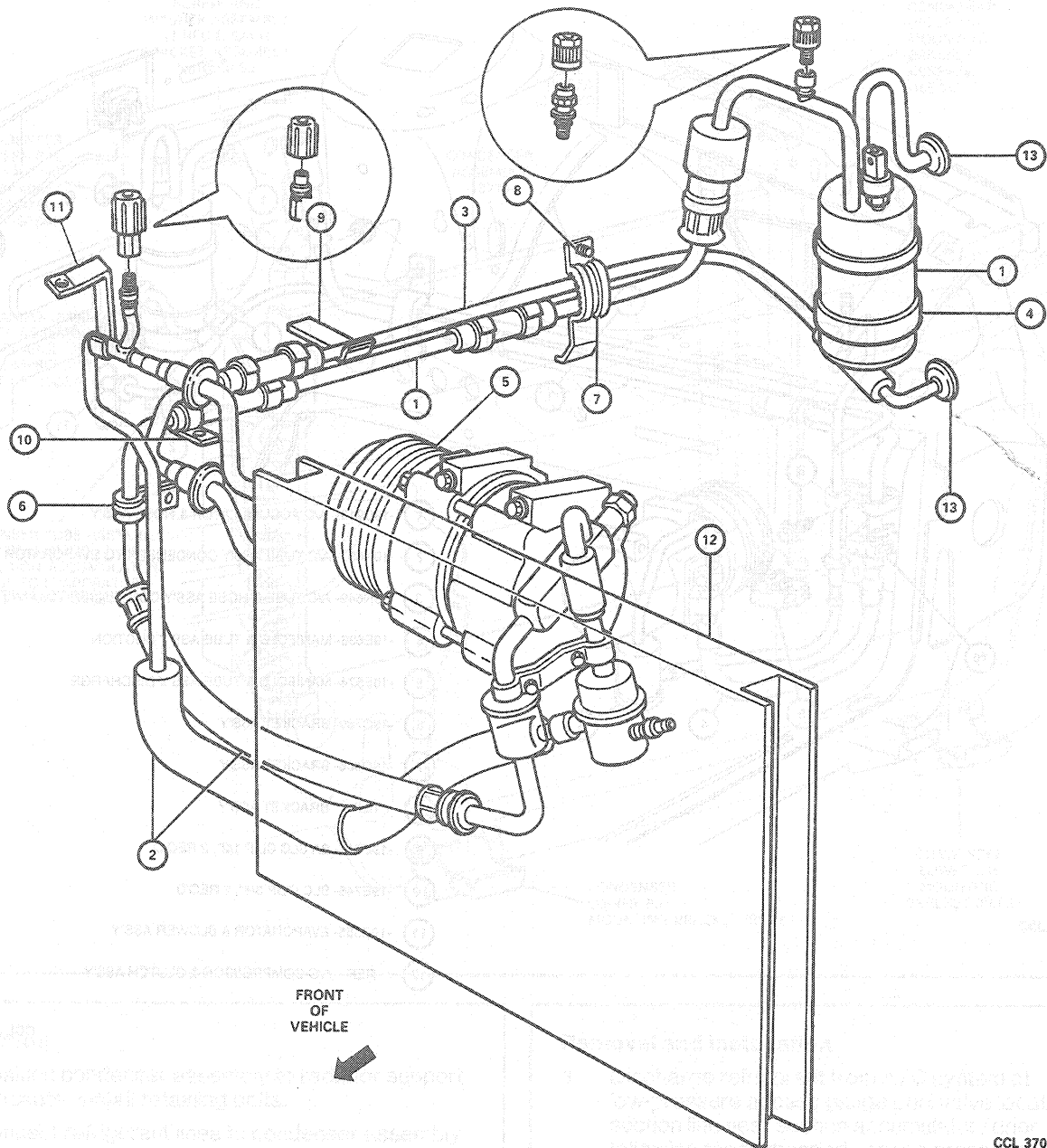


REMOVAL AND INSTALLATION (Continued)

Refrigerant Lines—3.0L, 3.8L



CCL 3707-A

ITEM	DESCRIPTION
1.	ACCUMULATOR & HOSE ASSY - 19C913
2.	MANIFOLD & TUBE ASSY - 19D734
3.	CONDENSER TO EVAPORATOR TUBE ASSY - 19N651
4.	BRACKET ASSY - 19D606
5.	COMPRESSOR & CLUTCH ASSY - 19D629
6.	CLIP - N805191-S100
7.	CLIP - N806439-S100

ITEM	DESCRIPTION
8.	SCREW & RETAINER ASSY - N800358-S2
9.	CLIP - N805732-S
10.	CLIP - N804200-S100
11.	INLET TUBE BRACKET - 19D720
12.	CONDENSER
13.	TO EVAPORATOR

4. Connect refrigerant line into system using new O-rings lubricated with clean specified refrigerant oil. At condenser, use connecting procedure for spring lock couplings.

CAUTION: Make sure correct type O-rings are installed on A/C fittings.

5. Leak test, evacuate and charge refrigerant system following recommended service procedures. Observe safety precautions. Refer to Section 12-00.