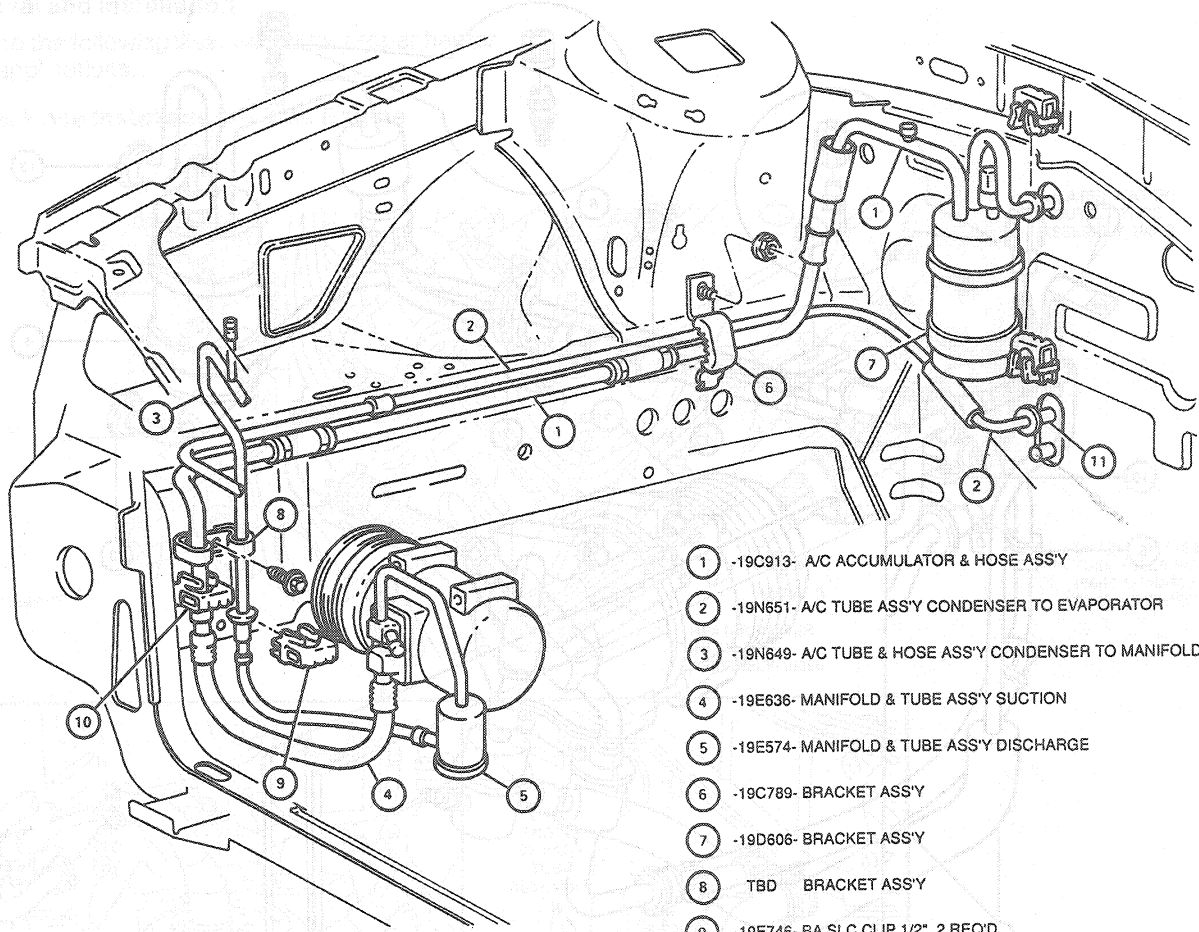


REMOVAL AND INSTALLATION (Continued)

Refrigerant Lines—3.2L SHO



- 1 -19C913- A/C ACCUMULATOR & HOSE ASS'Y
- 2 -19N651- A/C TUBE ASS'Y CONDENSER TO EVAPORATOR
- 3 -19N649- A/C TUBE & HOSE ASS'Y CONDENSER TO MANIFOLD
- 4 -19E636- MANIFOLD & TUBE ASS'Y SUCTION
- 5 -19E574- MANIFOLD & TUBE ASS'Y DISCHARGE
- 6 -19C789- BRACKET ASS'Y
- 7 -19D606- BRACKET ASS'Y
- 8 TBD BRACKET ASS'Y
- 9 -19E746- BA SLC CLIP 1/2", 2 REQ'D
- 10 -19E746- SLC CLIP 3/4", 2 REQ'D
- 11 -19B555- EVAPORATOR & BLOWER ASS'Y
- 12 REF A/C COMPRESSOR & CLUTCH ASS'Y

CCL 3781-A

1. COMPRESSOR & CLUTCH ASS'Y - 19C913  
 2. CONDENSER TO EVAPORATOR TUBE ASS'Y - 19N651  
 3. CONDENSER TO MANIFOLD TUBE & HOSE ASS'Y - 19N649  
 4. SUCTION MANIFOLD & TUBE ASS'Y - 19E636  
 5. DISCHARGE MANIFOLD & TUBE ASS'Y - 19E574  
 6. BRACKET ASS'Y - 19C789  
 7. BRACKET ASS'Y - 19D606  
 8. TBD BRACKET ASS'Y  
 9. 1/2" SLC CLIP - 19E746 (2 REQ'D)  
 10. 3/4" SLC CLIP - 19E746 (2 REQ'D)  
 11. EVAPORATOR & BLOWER ASS'Y - 19B555  
 12. REF A/C COMPRESSOR & CLUTCH ASS'Y

1. A/C ACCUMULATOR & HOSE ASS'Y - 19C913  
 2. A/C TUBE ASS'Y CONDENSER TO EVAPORATOR - 19N651  
 3. A/C TUBE & HOSE ASS'Y CONDENSER TO MANIFOLD - 19N649  
 4. MANIFOLD & TUBE ASS'Y SUCTION - 19E636  
 5. MANIFOLD & TUBE ASS'Y DISCHARGE - 19E574  
 6. BRACKET ASS'Y - 19C789  
 7. BRACKET ASS'Y - 19D606  
 8. TBD BRACKET ASS'Y  
 9. 1/2" SLC CLIP - 19E746 (2 REQ'D)  
 10. 3/4" SLC CLIP - 19E746 (2 REQ'D)  
 11. EVAPORATOR & BLOWER ASS'Y - 19B555  
 12. REF A/C COMPRESSOR & CLUTCH ASS'Y

8. Leak test, evacuate and charge refrigerant system following recommended service procedures. Observe safety precautions. Refer to Section 12-00.

CAUTION: Make sure correct type O-rings are installed on A/C fittings.  
 At condenser, use connecting procedure for O-ring lubricated with clean specified refrigerant oil. At evaporator, use connecting procedure for spring lock coupling.  
 Connect refrigerant line into system using new O-ring lubricated with clean specified refrigerant oil.