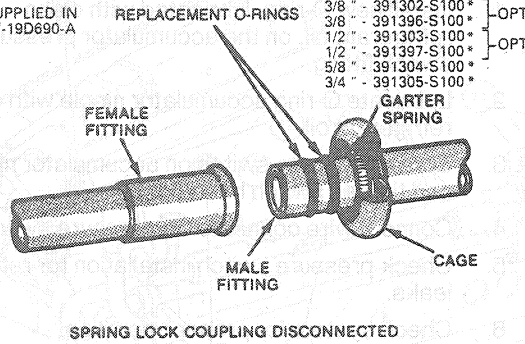


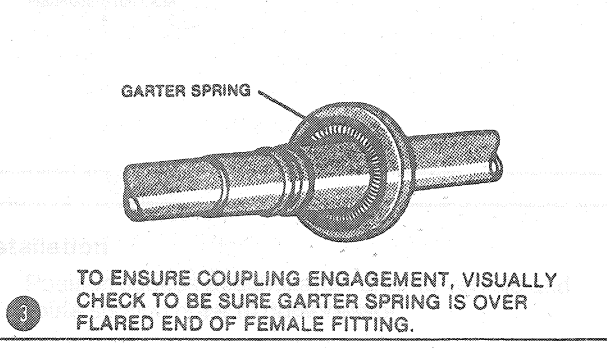
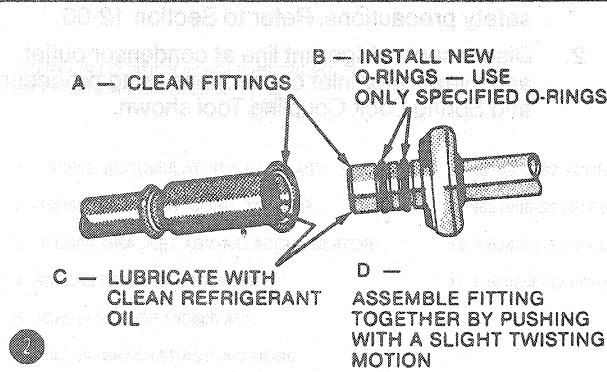
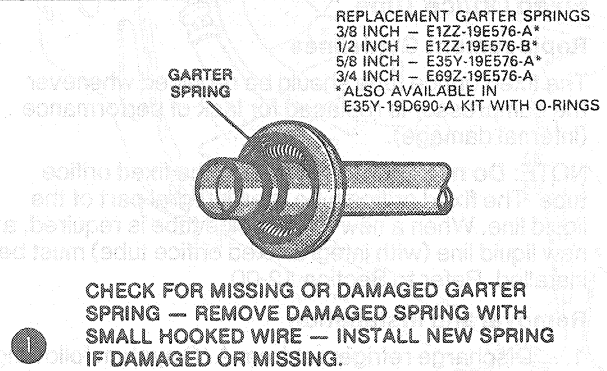
REMOVAL AND INSTALLATION (Continued)

Spring Lock Coupling

*ALSO SUPPLIED IN KIT E35Y-19D690-A

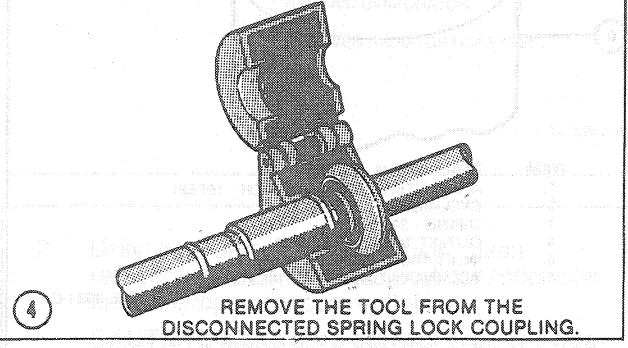
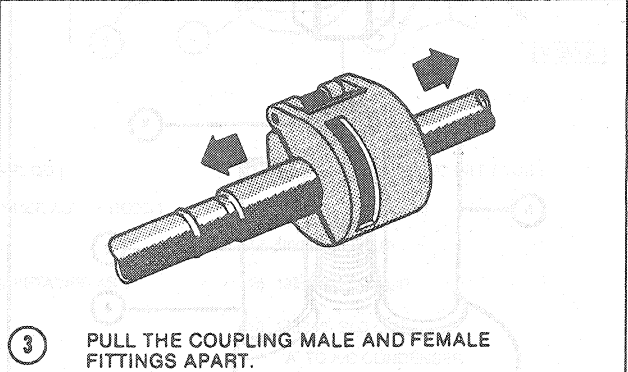
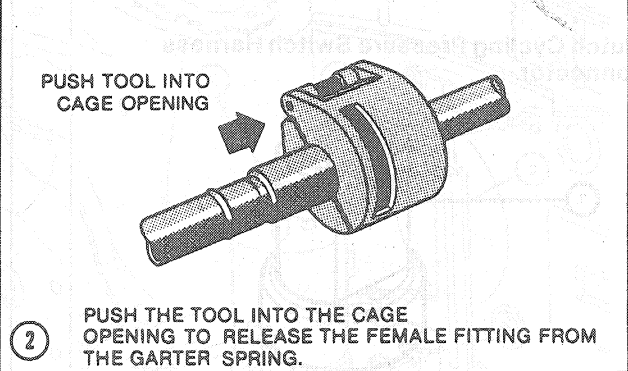
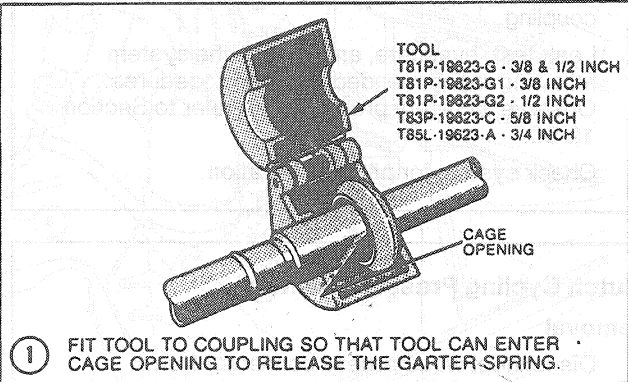


TO CONNECT COUPLING



TO DISCONNECT COUPLING

CAUTION — DISCHARGE SYSTEM BEFORE DISCONNECTING COUPLING



CCL 4011-C