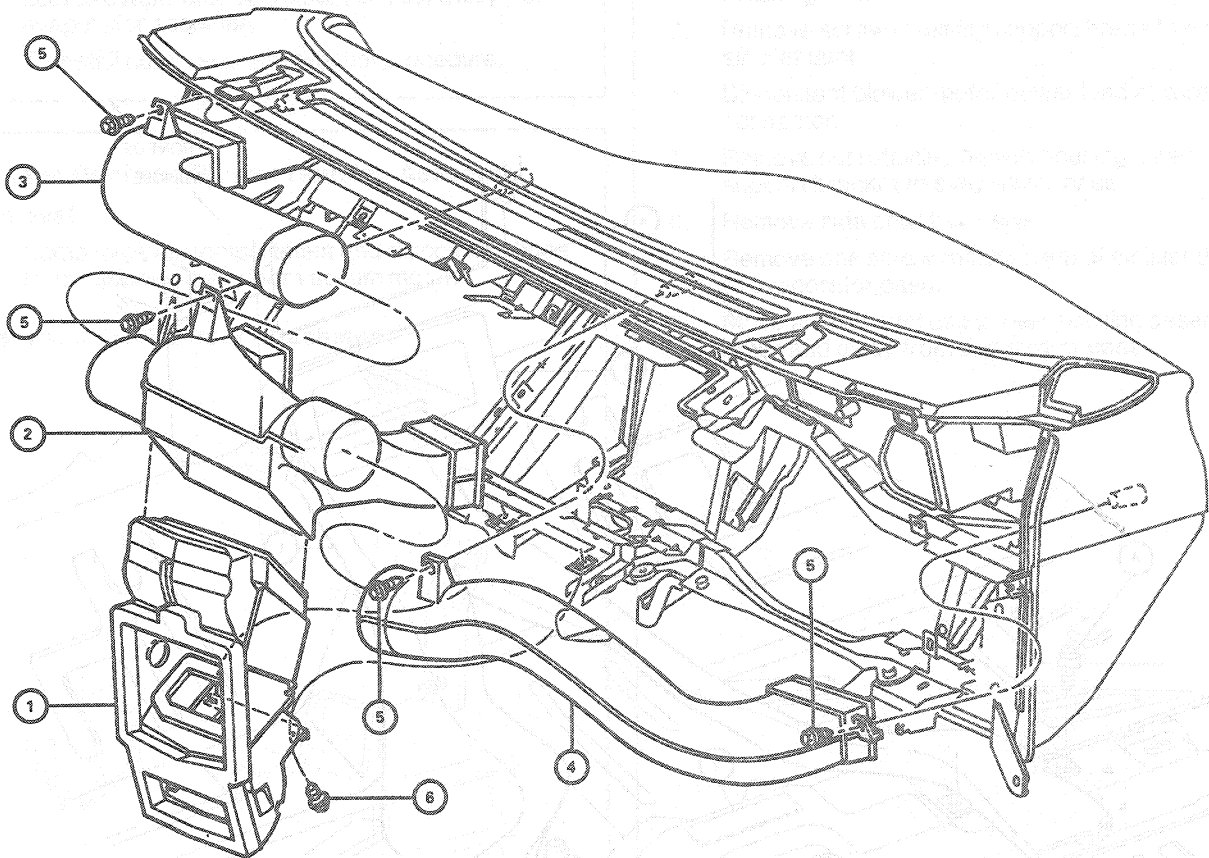


REMOVAL AND INSTALLATION (Continued)

Instrument Panel Register Duct—Sable



ITEM DESCRIPTION

1. PLENUM ASSY - 19740
2. LH CENTER I/P REGISTER DUCT ASSY - 19C805
3. RH I/P REGISTER DUCT ASSY - 19B680

ITEM DESCRIPTION

4. LH I/P REGISTER DUCT ASSY - 19A843
5. SCREW - N803876-S36 (4 REQ'D)
6. SCREW - N803876-S36B (2 REQ'D)

CCL 3709-A

Installation

1. Assemble LH, RH and center ducts together.
2. Position ducts to instrument panel and install four retaining screws.
3. Install defroster nozzle.
4. Position center plenum chamber as outlined.

Floor Air Distribution Duct

Front Heater System

Removal and Installation

1. Remove two screws retaining duct to evaporator case assembly just below A/C heat distribution duct.

2. Pull floor air distribution duct away from evaporator case.
3. To install duct, position it on evaporator case. Ensure retainer at forward edge of duct is inserted over edge of opening in evaporator case, and install two retaining screws.

Rear Heater System

Removal and Installation

1. Remove carpet.