

REMOVAL AND INSTALLATION (Continued)

(Continued)

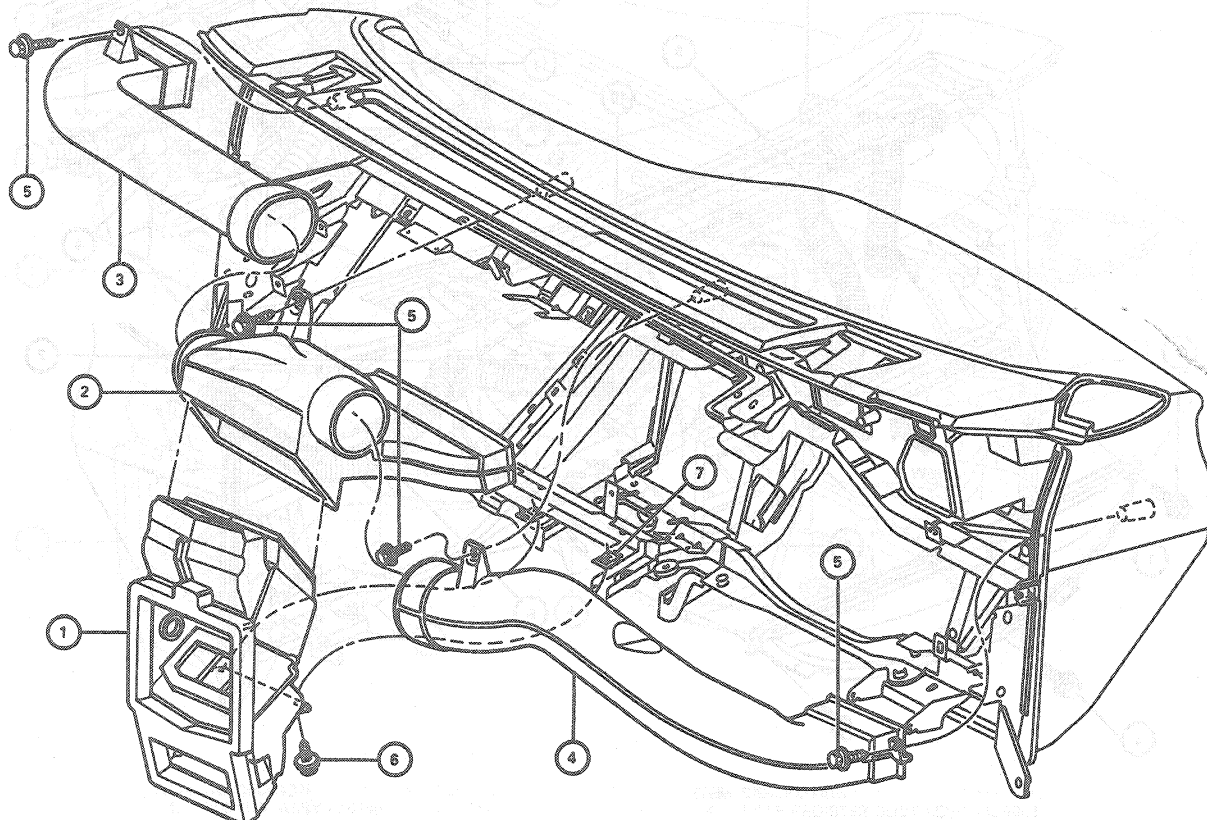
Register Ducts

Removal

1. Remove instrument panel as outlined and lay it back against front seat. Refer to Section 01-12.

2. Lower A/C plenum chamber.
3. Remove defroster nozzle.
4. Remove four screws, center and/or LH and RH ducts as required.

Instrument Panel Register Duct—Taurus



ITEM DESCRIPTION

1. A/C PLENUM ASSY - 19740
2. A/C I/P CENTER LH REGISTER DUCT ASSY - 19C805
3. A/C I/P RH REGISTER DUCT ASSY - 19B680
4. A/C I/P LH REGISTER DUCT ASSY - 19A643

ITEM DESCRIPTION

5. SCREW - N803875-S36 (4 REQ'D)
6. SCREW - N803876-S36B (2 REQ'D)
7. SPRING NUT P.I.A. INSTRUMENT PANEL

CCL 3708-A