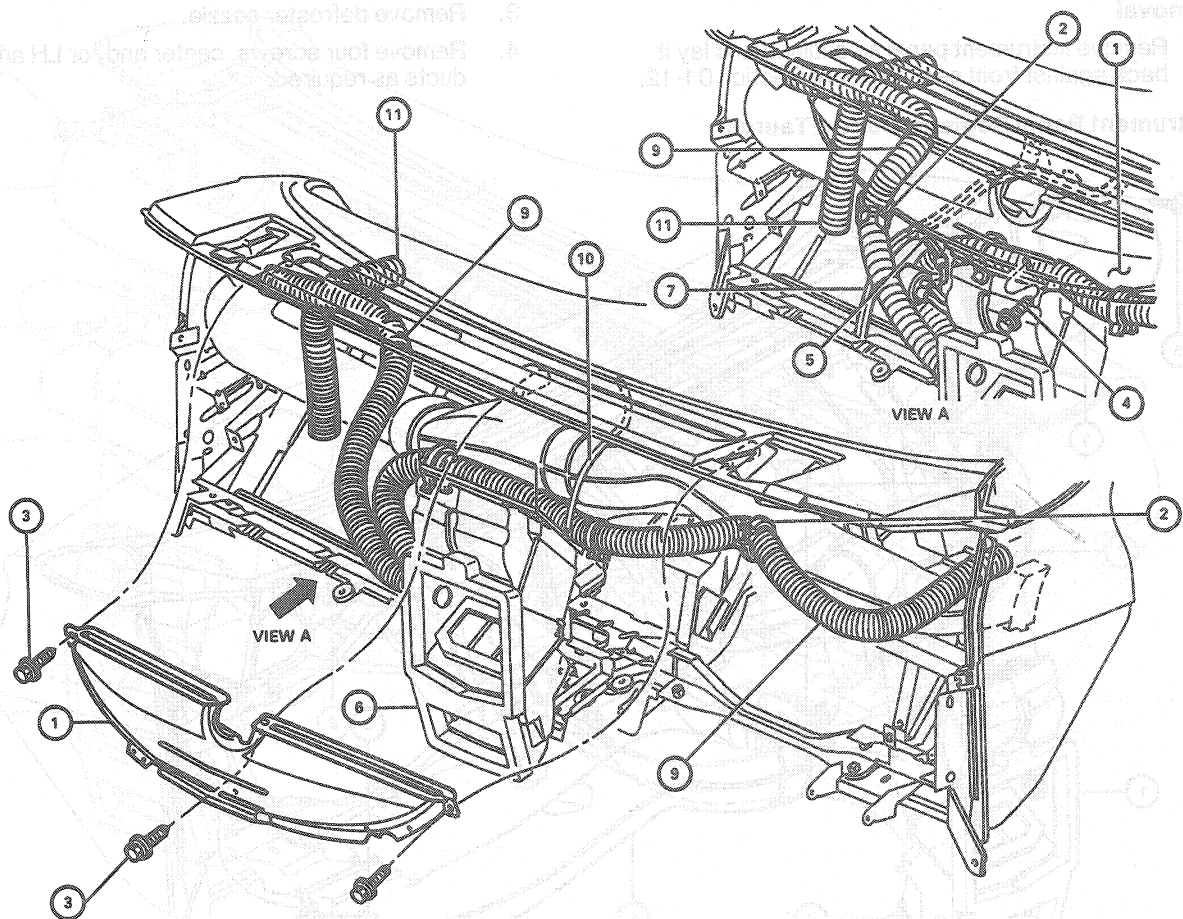


REMOVAL AND INSTALLATION (Continued)

Defroster Nozzle and Demister Hose Assemblies



ITEM	DESCRIPTION
1.	NOZZLE ASSY - 19D733
2.	CLIP - 19B632 (4 REQ'D)
3.	SCREW - N803875-S36 (3 REQ'D)
4.	SCREW - 381801-S2 OR N803818-S55
5.	STRAP - 95874-S
6.	PLENUM CHAMBER

ITEM	DESCRIPTION
7.	VACUUM HARNESS P.I.A. CONTROL ASSY
8.	TAB PART OF CENTER DUCT
9.	DEMISTER & HOSE ASSY P.I.A. INSTRUMENT PANEL
10.	CABLE ASSY - 19D674
11.	TEMP CONTROL HOSE - 19D888

CCL 3710-A

Defroster Nozzle and Demister Duct/Hoses Removal and Installation

1. Remove instrument panel as outlined, and place it back against front seat. Refer to Section 01-12 for instrument panel removal and installation procedures.
2. Disconnect vacuum hose connector from vacuum harness where it is clipped to defroster nozzle.
3. Lower A/C plenum chamber by loosening two screws retaining it to instrument panel.
4. Remove one screw retaining defroster nozzle to plenum.
5. Remove three screws retaining defroster nozzle to instrument panel.
6. Disconnect LH demister hose from LH duct clip, two clips on center duct and from RH side of plenum. Disconnect the RH hose from clip on defroster nozzle and RH side of plenum chamber. Remove each hose from the demister by rotating clockwise to disengage from the barb on the demister.
7. Remove two screws holding demister and hose assembly to instrument panel and remove from front side of instrument panel.
8. To install, reverse Removal procedure.