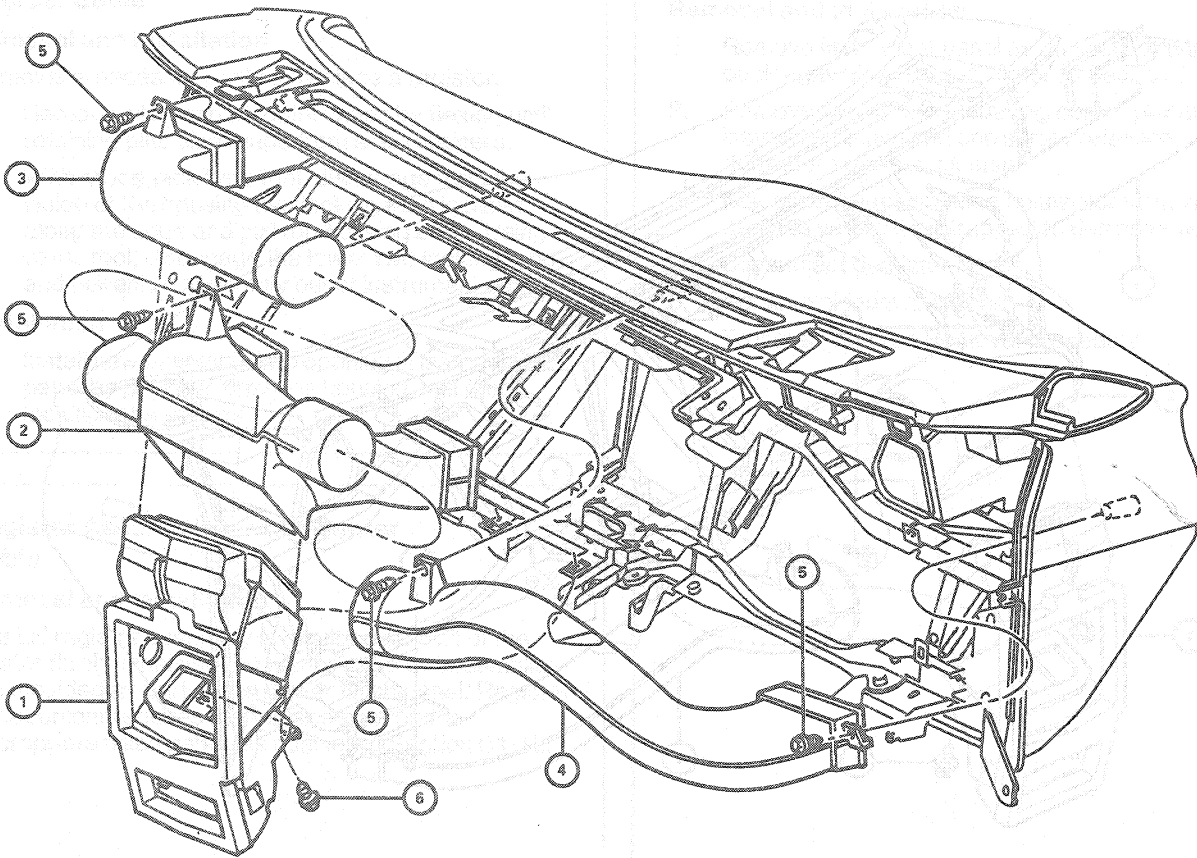


REMOVAL AND INSTALLATION (Continued)

A/C Plenum Chamber Attachments—Sable



ITEM DESCRIPTION

- 1. PLENUM ASSY - 19740
- 2. LH CENTER I/P REGISTER DUCT ASSY - 19C805
- 3. RH I/P REGISTER DUCT ASSY - 19B660

ITEM DESCRIPTION

- 4. LH I/P REGISTER DUCT ASSY - 19A843
- 5. SCREW - N803875-S36 (4 REQ'D)
- 6. SCREW - N803876-S36B (2 REQ'D)

CCL 3709-A