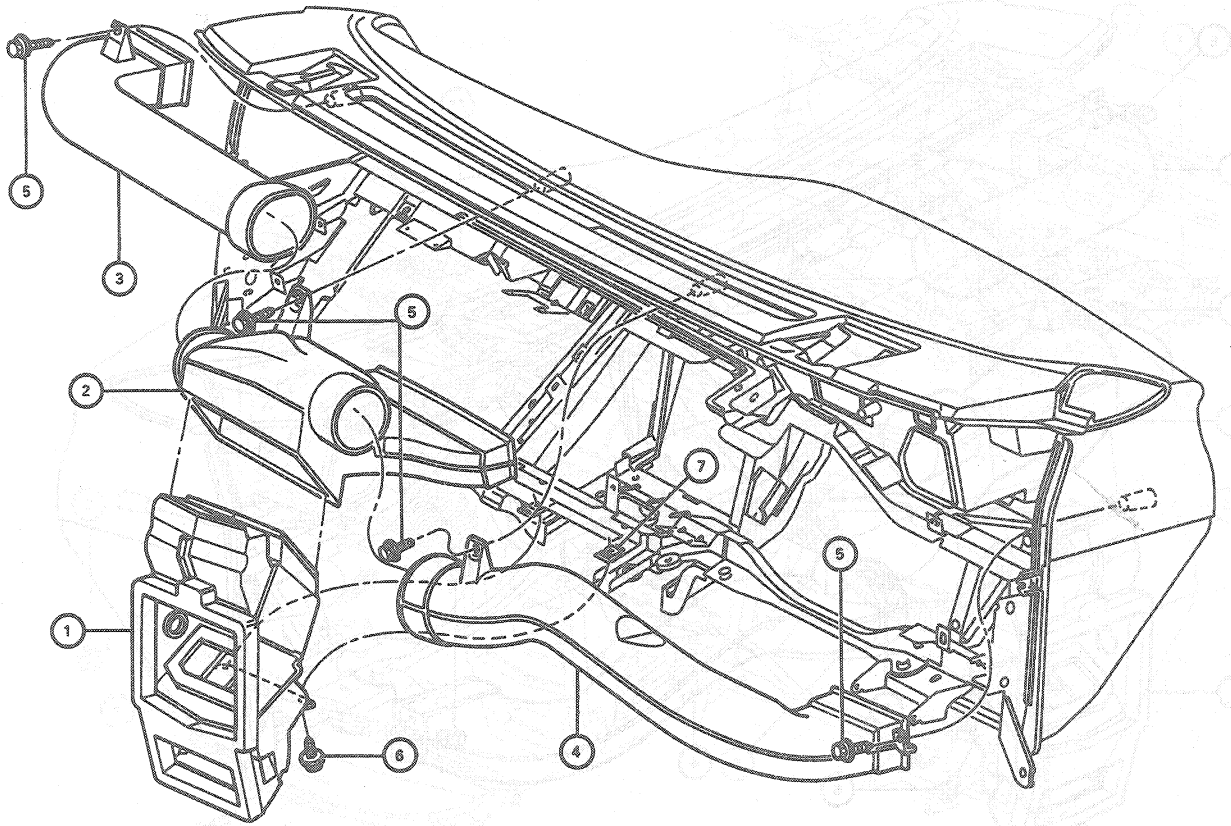


REMOVAL AND INSTALLATION (Continued)

(Removal and Installation) (Continued)

A/C Plenum Chamber Attachments—Taurus

A/C Plenum Chamber Attachments—Sable



ITEM DESCRIPTION

- 1. A/C PLENUM ASSY - 19740
- 2. A/C I/P CENTER LH REGISTER DUCT ASSY - 19C805
- 3. A/C I/P RH REGISTER DUCT ASSY - 19B680
- 4. A/C I/P LH REGISTER DUCT ASSY - 19A843

ITEM DESCRIPTION

- 5. SCREW - N803875-S36 (4 REQ'D)
- 6. SCREW - N803876-S36B (2 REQ'D)
- 7. SPRING NUT P.I.A. INSTRUMENT PANEL

CCL 3708-A

Remove the screws and nuts from the plenum chamber.

Remove the center LH register duct assembly.

Remove the RH register duct assembly.

Remove the LH register duct assembly.

Remove the screws and nuts from the plenum chamber.

Remove the screws and nuts from the plenum chamber.

Remove the screws and nuts from the plenum chamber.

Remove the screws and nuts from the plenum chamber.

Remove the screws and nuts from the plenum chamber.

Remove the screws and nuts from the plenum chamber.

Remove the screws and nuts from the plenum chamber.

Remove the screws and nuts from the plenum chamber.

Remove the screws and nuts from the plenum chamber.