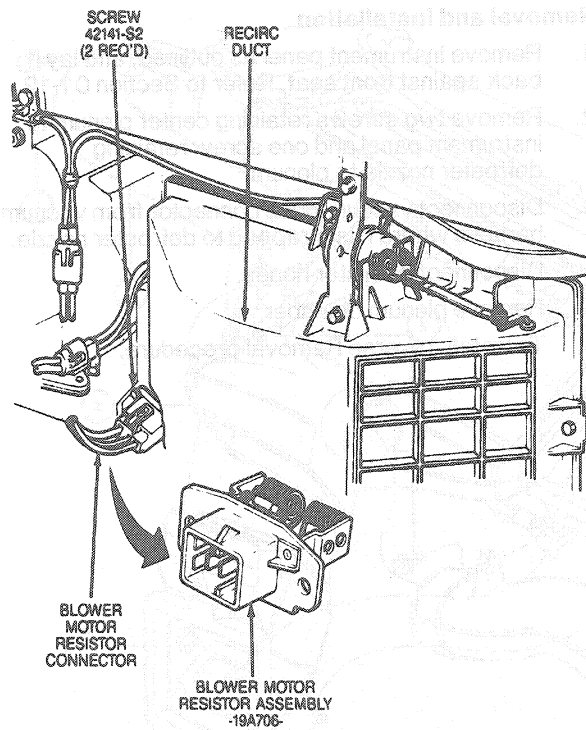


## REMOVAL AND INSTALLATION (Continued)

## Blower Motor Resistor — Manual A/C



CCL 2600-C

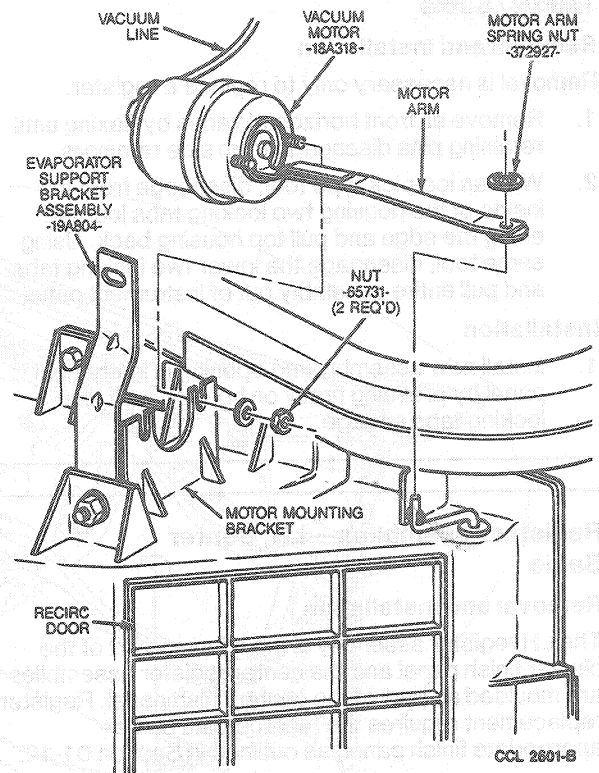
1. Open glove compartment door and release glove compartment retainers so that glove compartment hangs down.
2. Disconnect wire harness connector from resistor assembly.
3. Remove two resistor retaining screws and remove resistor from evaporator case.
4. To install, position resistor assembly in evaporator case opening and install two attaching screws. Do not apply sealer to resistor assembly mounting surface.
5. Connect wire harness connector to resistor.
6. Check operation of blower motor.
7. Install glove compartment to retainers and close glove compartment door.

## Outside-Recirc Door Vacuum Motor

## Removal

1. Lower glove compartment door to provide access to recirc duct assembly.
2. Disconnect vacuum hose from end of vacuum motor.
3. Remove motor arm retainer from the door crank arm.

## Motor Arm Removal from Door Crank Arm



CCL 2601-B

4. Remove two nuts retaining vacuum motor to recirc duct and remove motor.

## Installation

1. Position vacuum motor to outside-recirc door crank arm, position motor to recirc duct and install two retaining nuts.
2. Install retainer on door crank arm.
3. Connect white vacuum hose to vacuum motor and check operation of vacuum motor.
4. Close glove compartment door.

## Register Assemblies LH, Center Taurus

## Removal and Installation

1. Remove cluster finish panel.
2. From the backside of the cluster finish panel, remove two screws retaining the LH register assembly. Remove two screws and, using a soldering iron, disconnect two heat stakes that retain the center register assembly.
3. To install the registers, reverse Removal procedure.