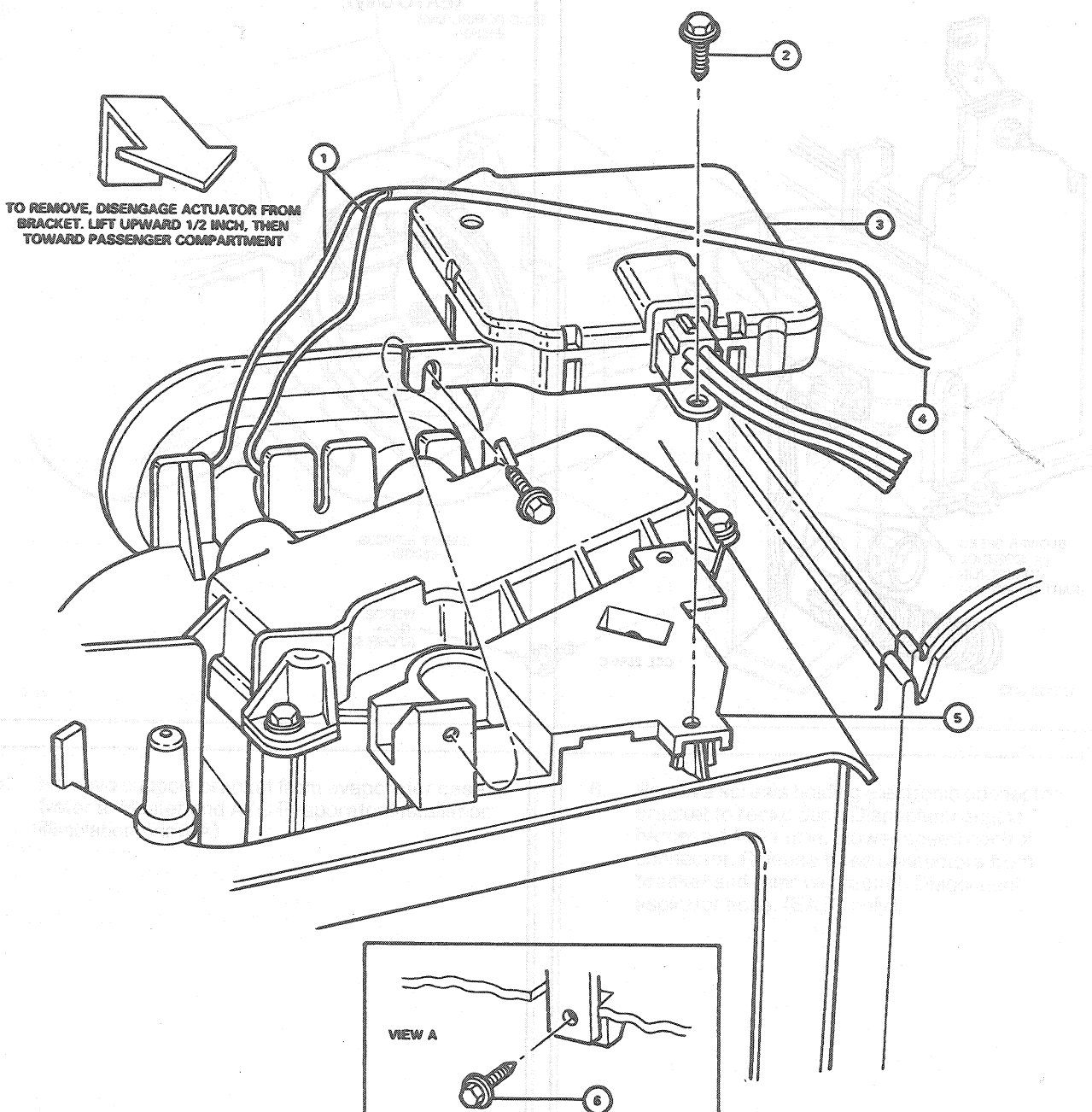


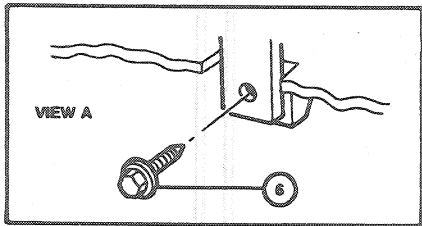
REMOVAL AND INSTALLATION (Continued)

REMOVAL AND INSTALLATION (Continued)

Blend Door Actuator



TO REMOVE, DISENGAGE ACTUATOR FROM BRACKET. LIFT UPWARD 1/2 INCH, THEN TOWARD PASSENGER COMPARTMENT



ITEM	DESCRIPTION
1.	TO COLD ENGINE LOCKOUT SWITCH
2.	SCREW (2 REQ'D.) - 42141
3.	BLEND DOOR ACTUATOR MOTOR ASSEMBLY - 19E616

ITEM	DESCRIPTION
4.	TO ELECTRICAL CONNECTOR
5.	BLEND DOOR ACTUATOR MOTOR MOUNTING PLATE - 19E693
6.	SCREW (1 OF 3 REQ'D) - 42141

CCL 2658-C

8. Remove moulded seals from evaporator core tubes (refer to Heater and Evaporator installation Manual, illustration).

9. Drill a 4.75mm (3/16 inch) hole in both upright tabs on top of evaporator case.