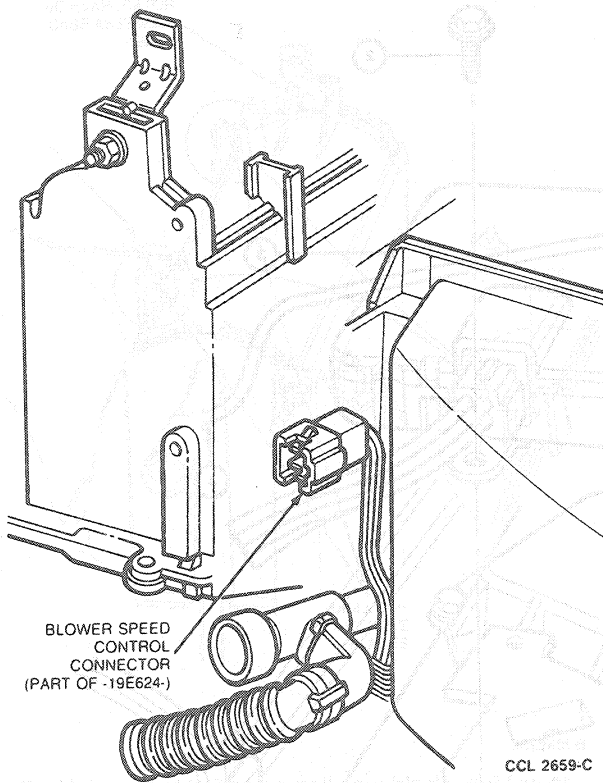


REMOVAL AND INSTALLATION (Continued)

Blower Speed Control Connector



7. Remove blend door actuator (three screws) (EATC only).

Evaporator Core Removal Work Case



ITEM	DESCRIPTION
1	TO OILS ENGINE FLIGHT SWITCH
2	SCREW 12 REC. 01 - 42-111
3	BLEND DOOR ACT. BATH. INDOOR ASSEMBLY - 191016

Remove moulded seals from evaporator core tubes (refer to Heater and Evaporator Installation Manual, illustration)